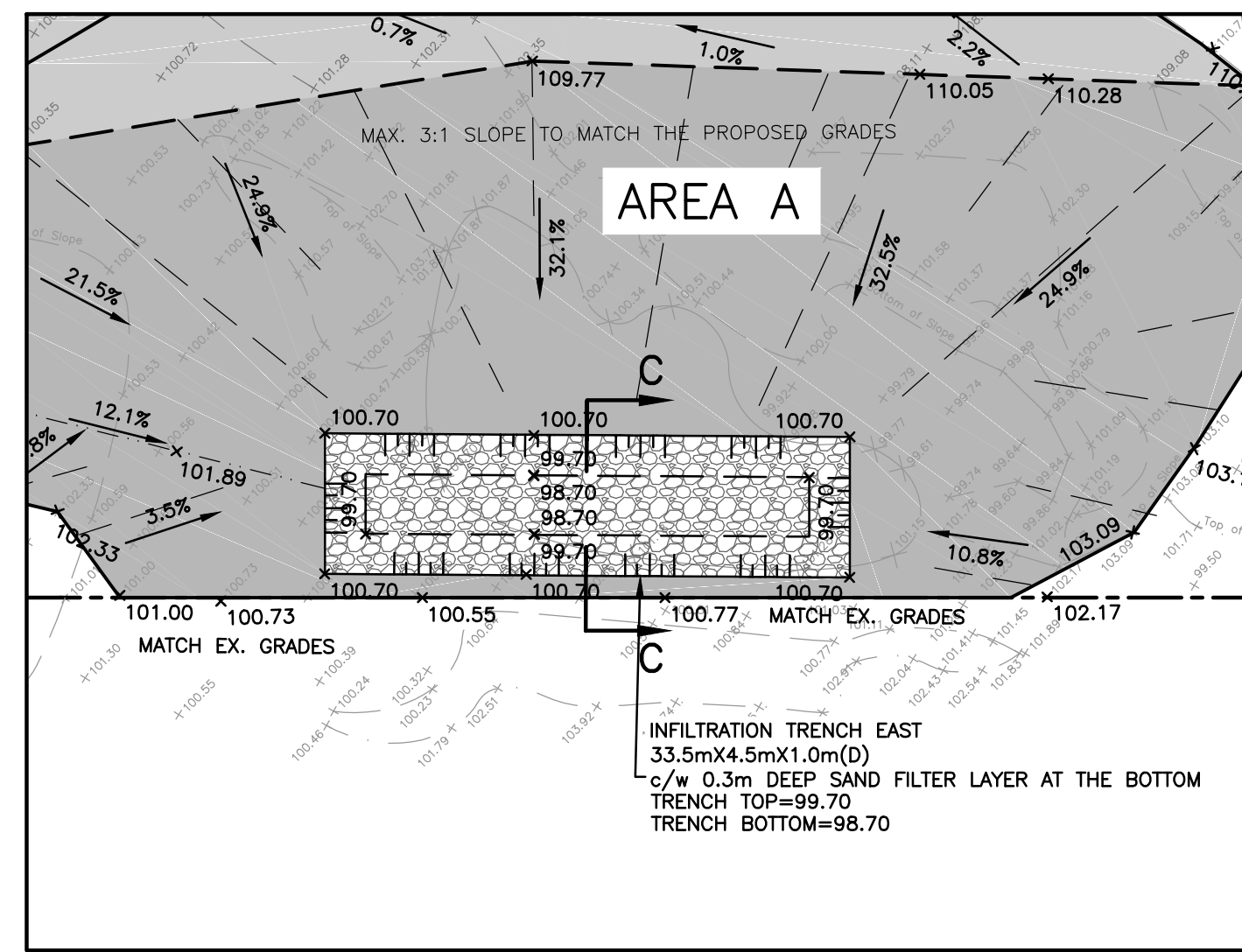
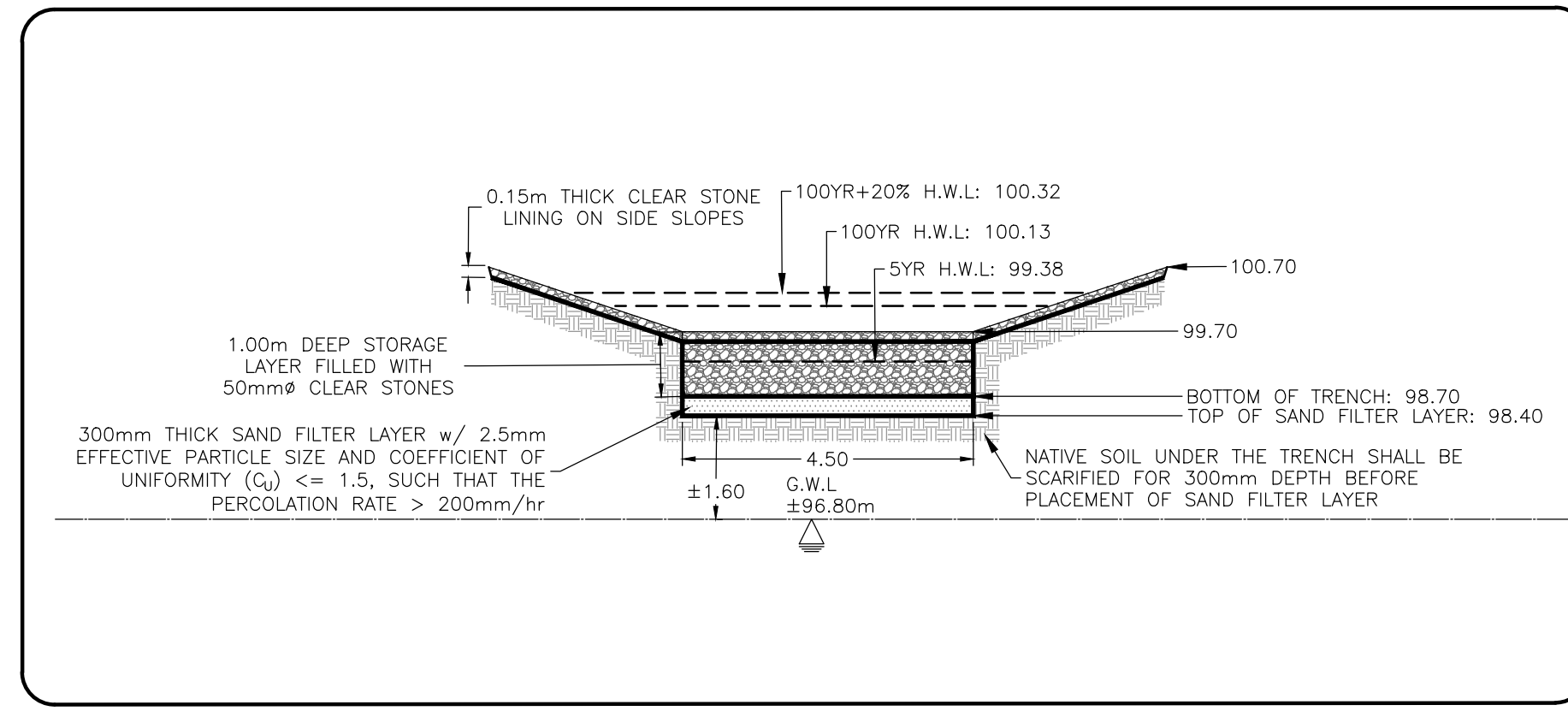


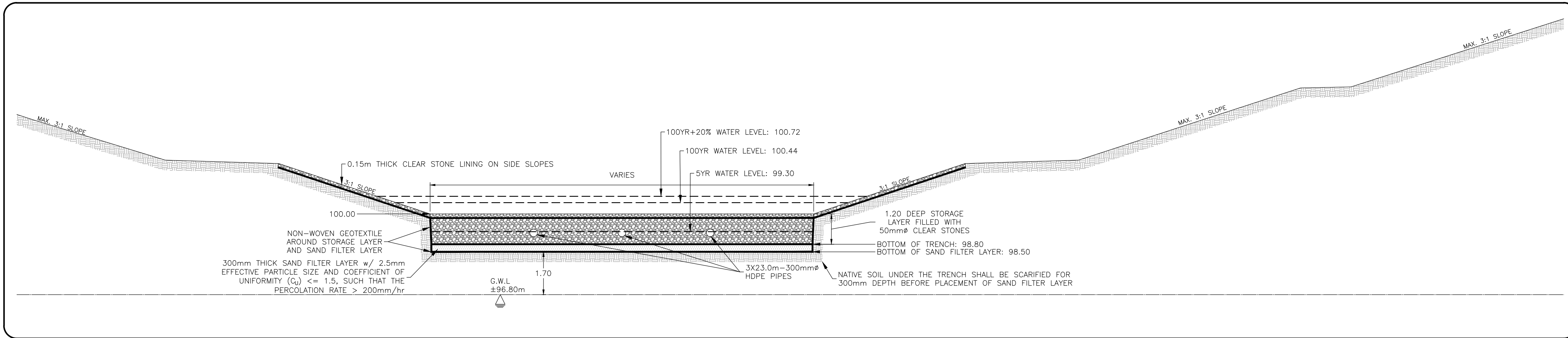
PLAN VIEW : WEST INFILTRATION TRENCH (1:100)



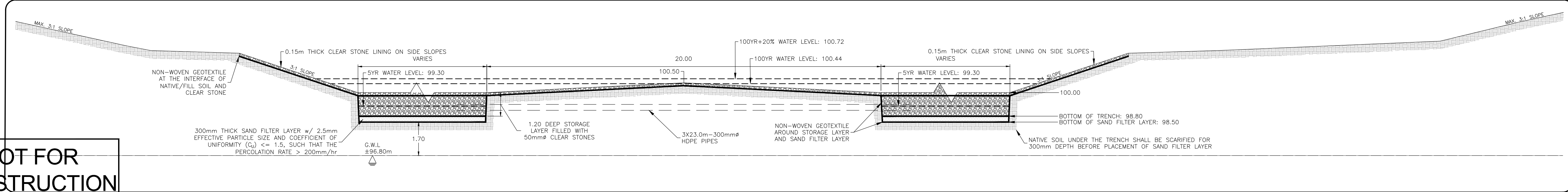
PLAN VIEW : EAST INFILTRATION TRENCH (1:100)



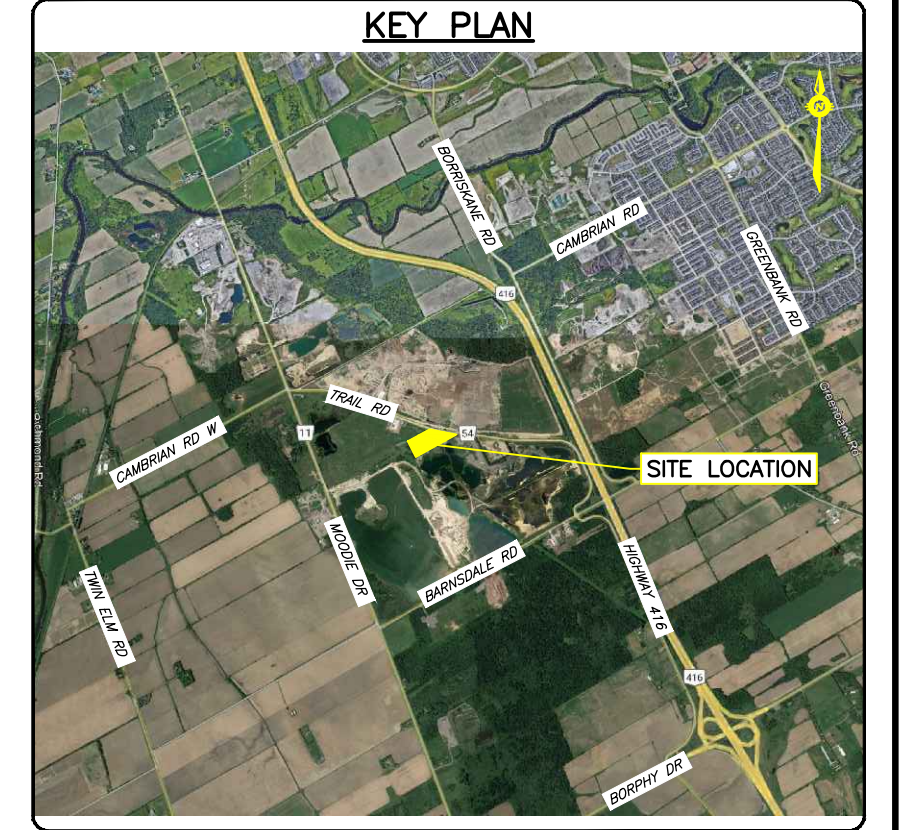
SECTION C-C: EAST INFILTRATION TRENCH CROSS SECTION (1:100)



SECTION B-B: WEST INFILTRATION TRENCH CROSS SECTION (1:100)



SECTION A-A: WEST INFILTRATION TRENCH CROSS SECTION (1:100)



LEGEND

- PROPERTY LINE
- - - EXISTING BOTTOM OF SLOPE
- - - EXISTING TOP OF SLOPE
- - - EXISTING CENTER LINE OF DITCH
- - - EXISTING GATE
- - - EXISTING CHAIN LINK FENCE
- - - EXISTING OVERHEAD HYDRO LINE
- - - EXISTING UTILITY POLE
- - - UTILITY POLE ANCHOR
- - - EXISTING MONITORING WELL
- - - EXISTING ELEVATIONS
- - - EXISTING GRAVEL ACCESS ROAD
- - - PROPOSED SLOPE MAX. 3:1 C/W EROSION CONTROL BLANKET
- - - PROPOSED GRADES
- - - PROPOSED DRAINAGE PATTERN
- - - PROPOSED SOIL DUMP AREA
- - - PROPOSED LANDSCAPING (GRASS)
- - - PROPOSED 50mm DIA. CLEAR STONE
- - - PROPOSED 300mm DIA. HDPE PIPE
- - - PROPOSED BOTTOM OF SLOPE

EROSION AND SEDIMENT CONTROL NOTE:

- PROVIDE TEMPORARY EROSION CONTROL BLANKET ON PROPOSED SLOPES GREATER THAN 7% UNTIL SUFFICIENT LANDSCAPE COVER HAS BEEN ESTABLISHED.
- THE PRODUCT SHOULD BE RATED FOR SLOPES UP TO 3H:1V.
- ADDITIONAL EROSION AND SEDIMENT CONTROL MEASURES TO BE PROVIDED AS PER DRAWING C300.

NOT FOR CONSTRUCTION

CAUTION
THE POSITION OF ALL POLE LINES, CONDUITS, WATERMANS, SEWERS AND OTHER UNDERGROUND AND OVERGROUND UTILITIES AND STRUCTURES IS NOT NECESSARILY SHOWN ON THE CONTRACT DRAWINGS, AND WHERE SHOWN, THE ACCURACY OF THE POSITION OF SUCH UTILITIES AND STRUCTURES IS NOT GUARANTEED. BEFORE STARTING WORK, DETERMINE THE EXACT LOCATION OF ALL SUCH UTILITIES AND STRUCTURES AND ASSUME ALL LIABILITY FOR DAMAGE TO THEM.

JOB BENCH MARK
CP IN UTILITY POLE ELEVATION = 111.79

TOPOGRAPHIC INFORMATION
PART OF LOT 8, CONCESSION 4 (RIDEAU FRONT), GEOGRAPHIC TOWNSHIP OF NEPEAN, CITY OF OTTAWA.

Bearing Note
Bearings hereon are grid bearings derived from the Can-Net Real Time Network and are referred to the Central Meridian of MTM Zone 9 (76°30' West Longitude) Nad-83 (Original).

Elevation Notes
Elevations shown are geodetic and are referred to Geodetic Datum CGVD-1928 :1978. (Monument No. 19770866)

REV	REVISION DESCRIPTION	DATE	BY	APPD
3	RE-ISSUED FOR SPA	19/12/23	AGJ	AA
2	ISSUED FOR SPA	23/06/23	AJ	AA
1	ISSUED FOR CLIENT REVIEW	20/10/22	AJ	AA

SCALE
0 1m 2m 4m
HORIZONTAL
1:100

DESIGNED BY
A. K. JARIWALA
100562090
2023/12/19
PROVINCE OF ONTARIO

REVIEWED BY
M.A. ANSARI
2023/12/19
PROVINCE OF ONTARIO

CLIENT
DRAIN-ALL LTD
3385 HAWTHORNE ROAD, OTTAWA, ON.
K1G 4G2 613.739.1070

exp Services Inc.
1-877-888-1899 | +1-613-225-7330
1005 Wellington Drive, Unit 100
Ottawa, ON K2B 8H6
Canada
www.exp.com

• BUILDINGS • EARTH & ENVIRONMENT • ENERGY •
• INDUSTRIAL • INFRASTRUCTURE • SUSTAINABILITY •

BASEPLAN	PROJECT
AJ	ENGINEERING SERVICES FOR
AJ	4380 TRAIL ROAD,
AA	OTTAWA, ONTARIO.
AA	DATE 27/04/2022
AA	DRAWING NO. C200-4
AA	TITLE EAST AND WEST INFILTRATION TRENCH PLAN AND PROFILE
AA	

PROJECT NO.	PROJECT
OTT-21023795-A0	ENGINEERING SERVICES FOR
FSD	4380 TRAIL ROAD,
	OTTAWA, ONTARIO.
	DATE 27/04/2022
	DRAWING NO. C200-4