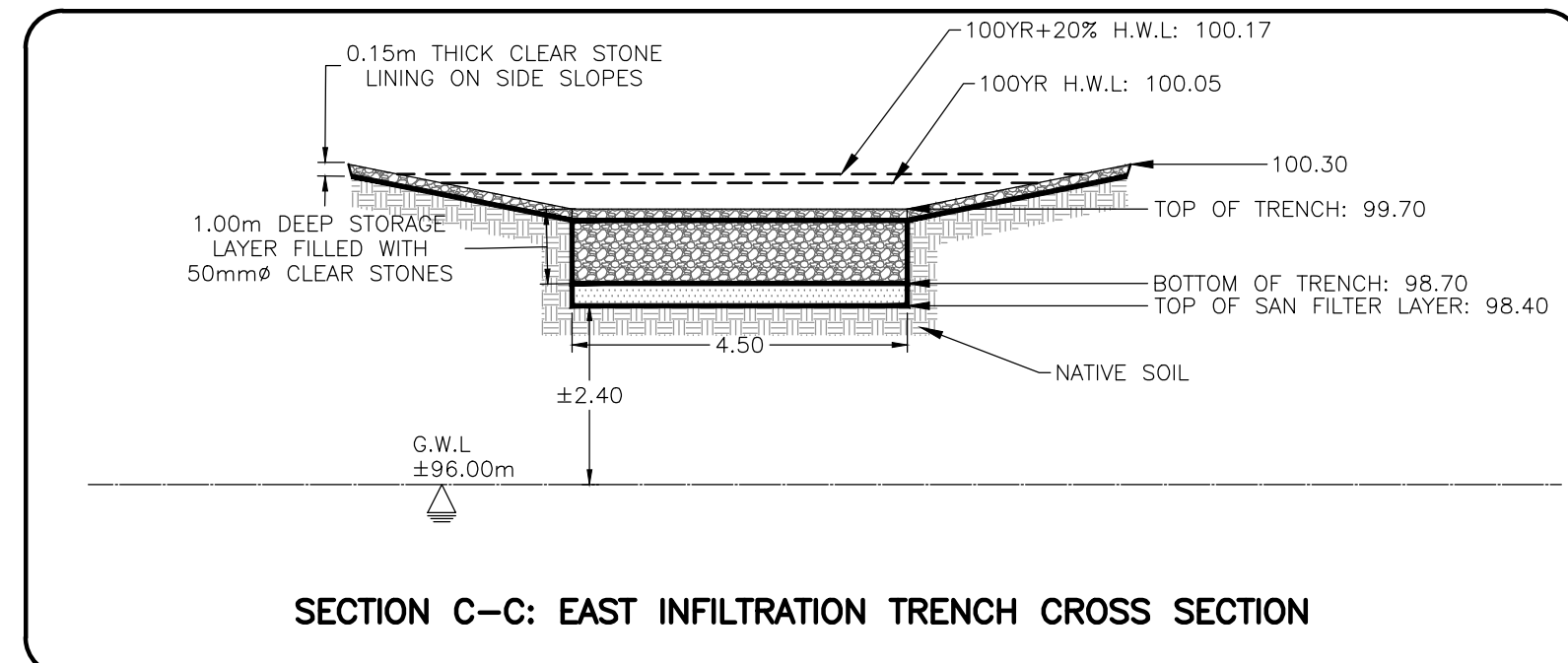
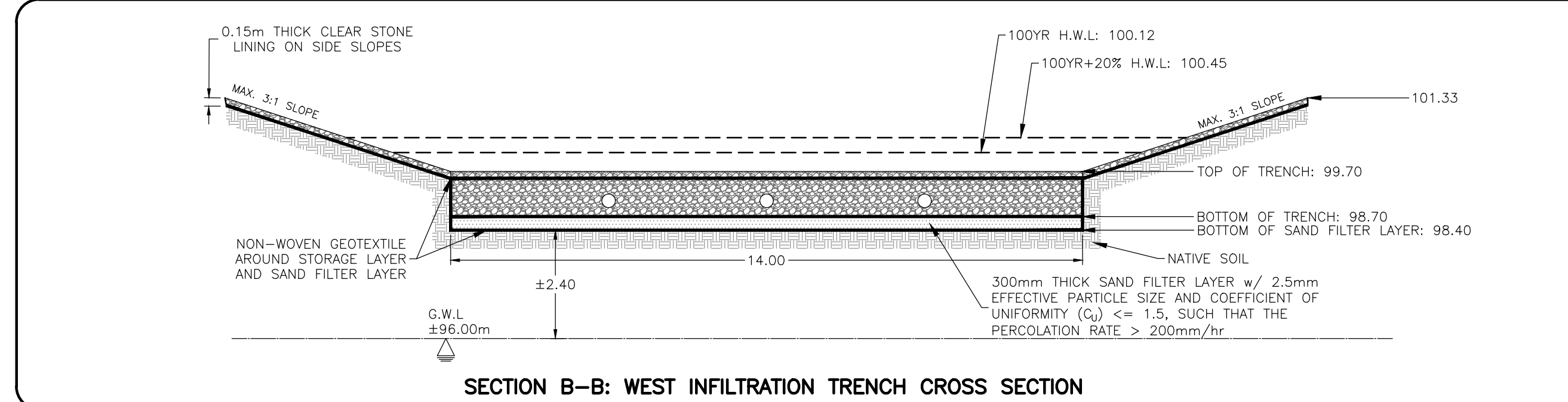


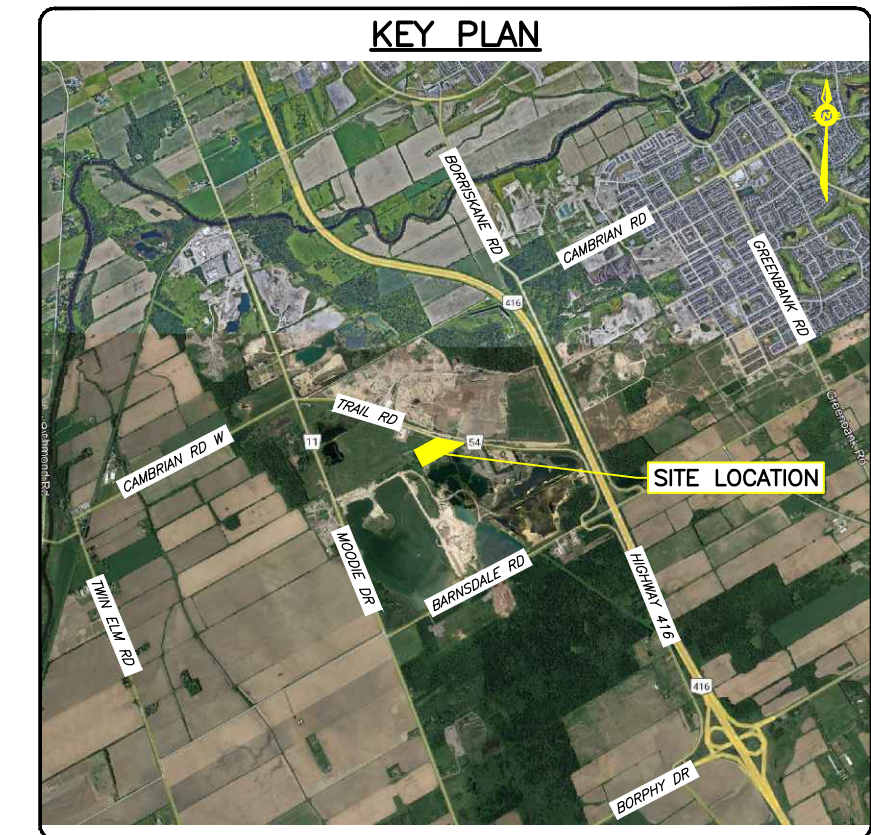
SECTION A-A: WEST INFILTRATION TRENCH CROSS SECTION



SECTION C-C: EAST INFILTRATION TRENCH CROSS SECTION



SECTION B-B: WEST INFILTRATION TRENCH CROSS SECTION

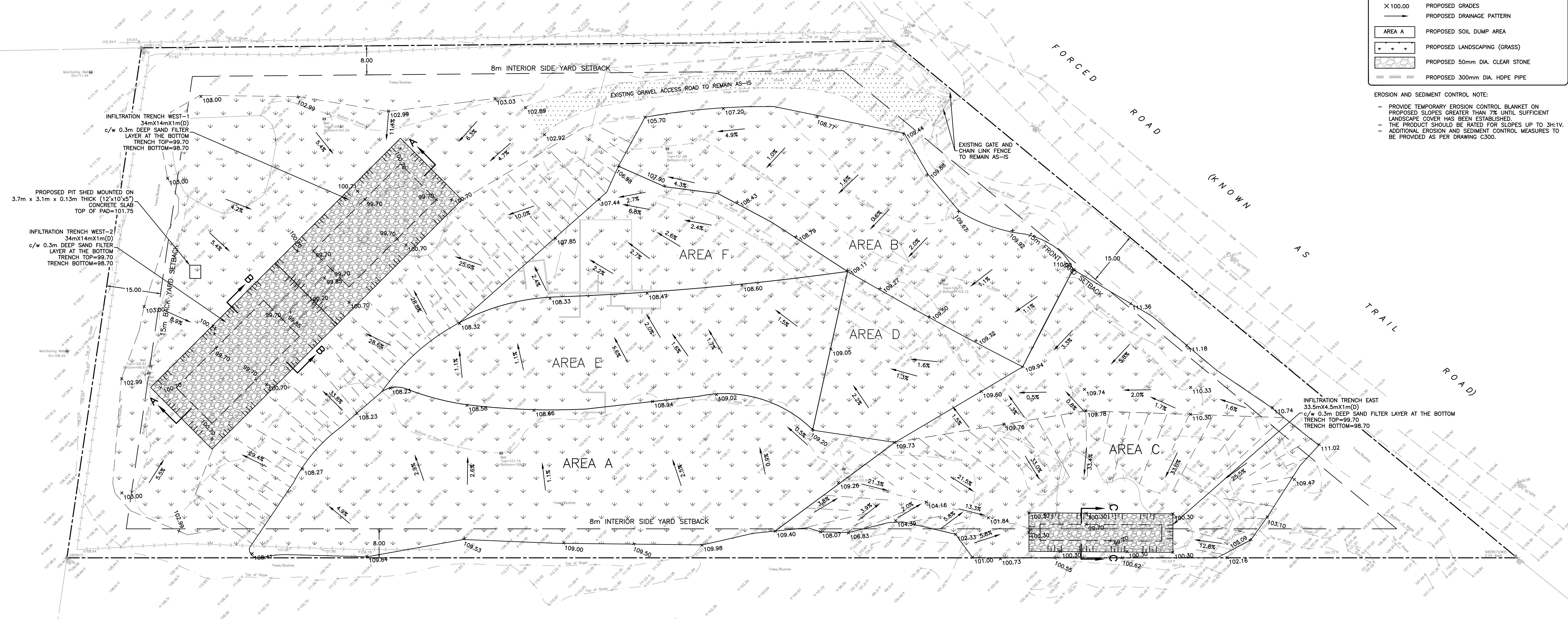


LEGEND

- PROPERTY LINE
- - - EXISTING BOTTOM OF SLOPE
- EXISTING TOP OF SLOPE
- EXISTING CENTER LINE OF DITCH
- EXISTING GATE
- x-x-x- EXISTING CHAIN LINK FENCE
- OHV EXISTING OVERHEAD HYDRO LINE
- UP EXISTING UTILITY POLE
- PROPOSED GRADES
- X 100.00 PROPOSED DRAINAGE PATTERN
- PROPOSED SOIL DUMP AREA
- PROPOSED LANDSCAPING (GRASS)
- PROPOSED 50mm DIA. CLEAR STONE
- PROPOSED 300mm DIA. HDPE PIPE

EROSION AND SEDIMENT CONTROL NOTE:

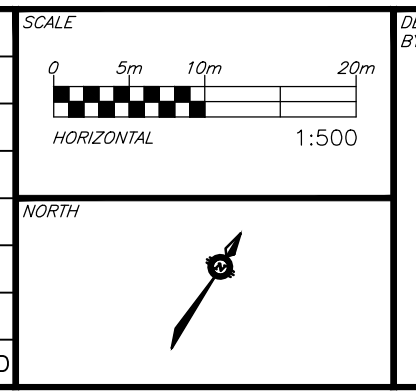
- PROVIDE TEMPORARY EROSION CONTROL BLANKET ON PROPOSED SLOPES GREATER THAN 7% UNTIL SUFFICIENT LANDSCAPE COVER HAS BEEN ESTABLISHED.
- THE PRODUCT SHOULD BE RATED FOR SLOPES UP TO 3H:1V.
- ADDITIONAL EROSION AND SEDIMENT CONTROL MEASURES TO BE PROVIDED AS PER DRAWING C300.



CAUTION
THE POSITION OF ALL POLE LINES, CONDUITS, WATERMANS, SEWERS AND OTHER UNDERGROUND UTILITIES AND STRUCTURES IS NOT NECESSARILY SHOWN ON THE CONTRACT DRAWINGS, AND WHERE SHOWN, THE ACCURACY OF THE POSITION OF SUCH UTILITIES AND STRUCTURES IS NOT GUARANTEED. BEFORE STARTING WORK, DETERMINE THE EXACT LOCATION OF ALL SUCH UTILITIES AND STRUCTURES AND ASSUME ALL LIABILITY FOR DAMAGE TO THEM.

NOT FOR CONSTRUCTION

REV	REVISION DESCRIPTION	DATE	BY	APPD
2	ISSUED FOR SPA	23/06/23	AJ	AA
1	ISSUED FOR CLIENT REVIEW	20/10/22	AJ	AA



DESIGNED BY: M.A. ANSARI
2023/06/23
PROVINCE OF ONTARIO



DRAIN-ALL LTD
3385 HAWTHORNE ROAD, OTTAWA, ON.
K1G 4G2 613.739.1070

exp Services Inc.
1-813-688-1899 | 1-613-225-7330
2025 Dundas Street East, Unit 100
Ottawa, ON K2B 8R6
Canada
www.exp.com

• BUILDINGS • EARTH & ENVIRONMENT • ENERGY •
• INDUSTRIAL • INFRASTRUCTURE • SUSTAINABILITY •

BASE PLAN	PROJECT
AJ	ENGINEERING SERVICES FOR
AJ	4380 TRAIL ROAD,
AA	OTTAWA, ONTARIO.
AA	ULTIMATE SITE GRADING PLAN
AA	
AA	

PROJECT No.	DATE	DRAWING No.
OTT-21023795-A0	27/04/2022	C200-4

#?????