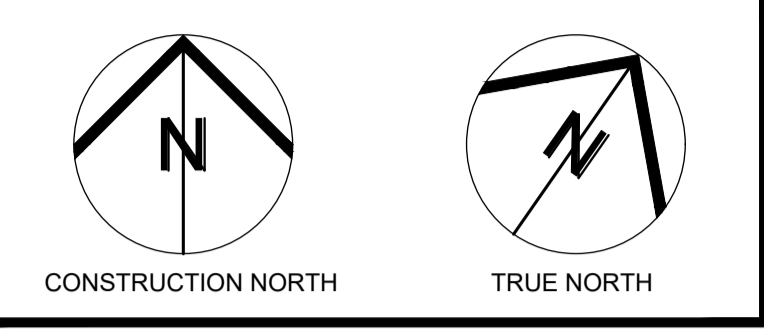


PLANT LIST

SYM.	BOTANICAL NAME	COMMON NAME	QTY.	SIZE	REMARKS
LARGE DECIDUOUS TREES					
AF	ACER FREEMANII 'CELZAM'	CELEBRATION MAPLE	2	70mm CAL.	B&B / W.B.
GT	GLEDITSIA TRIACANTHOS VAR. INERM. 'SHADEMASTER'	SHADEMASTER HONEY LOCUST	1	70mm CAL.	B&B / W.B.
UM	ULMUS 'MORTON'	ACCOLADE ELM	1	70mm CAL.	B&B / W.B. PLANT IN SPRING
SMALL DECIDUOUS TREES					
AP	ACER PLATANOIDES 'COLUMNARE'	COLUMNAR NORWAY MAPLE	3	1800mm HT.	B&B / W.B.
CONIFEROUS TREES					
PP	PICEA PUNGENS	COLORADO SPRUCE	1	1800mm HT.	B&B / W.B.
SHRUBS/PERENNIALS					
--	TBD	--	--	--	--



- LEGEND:
- PROPOSED DECIDUOUS TREE
 - PROPOSED CONIFEROUS TREE
 - CONCRETE PAVING
 - UNIT PAVING
 - CAST-IN-PLACE CONCRETE RETAINING WALL -BY OTHERS
 - PRECAST RETAINING WALL
 - RIVERSTONE PAVING
 - STONEDUST PAVING
 - SOD
 - SHRUB/PERENNIAL PLANTING
 - PEDESTRIAN LIGHT
 - BICYCLE RACKS

4	ISSUED FOR SPA	18/05/23
3	ISSUED FOR RE-ZONING	12/05/23
2	ISSUED FOR RE-ZONING	20/04/23
1	ISSUED FOR RE-ZONING	18/01/23
No	ISSUE/REVISION	DATE
Nº	ÉMISSION/RÉVISION	DD/MM/YY

1066 Somers Street West, Suite 200, Ottawa Ontario, K1Y 4T3
 Telephone: 613.724.9914 E-mail: architecture@brydengibson.ca

PROJECT NAME / NOM DU PROJET
Taite Residence

121 Brae Cres, Stittsville, ON K2S 1P1

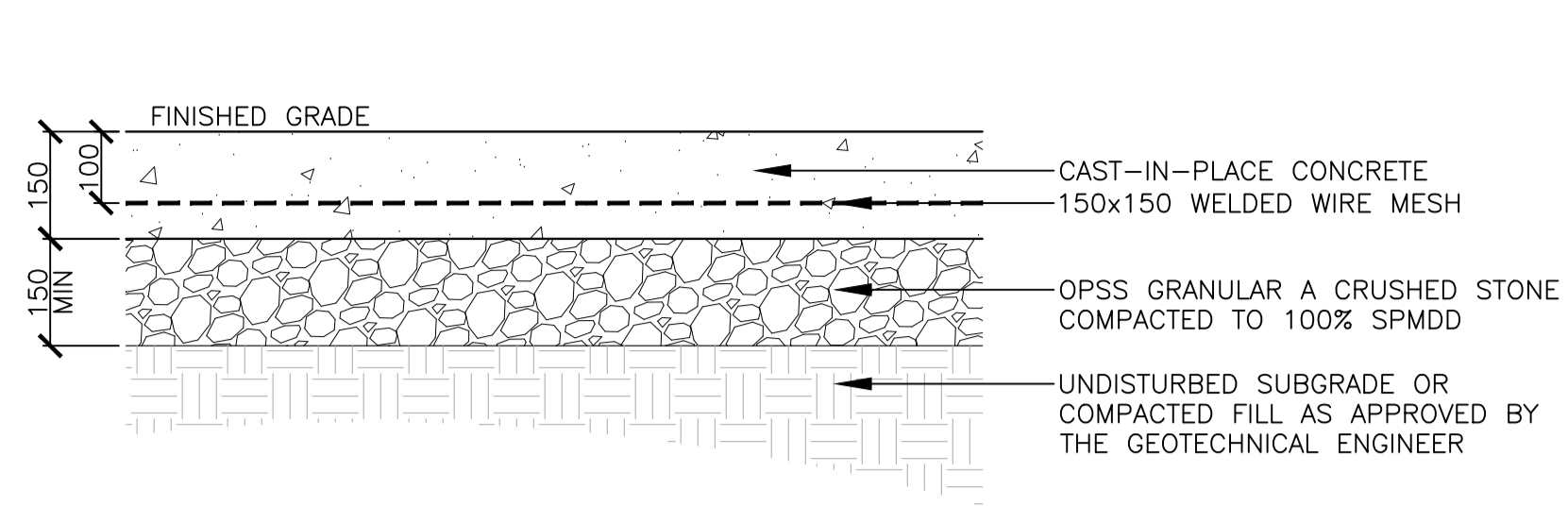
DRAWING TITLE / TITRE DU DESSIN
LANDSCAPE LAYOUT

JOB No 2157-01	N° DE PROJET	DATE JAN 2023	DATE
SCALE 1:100	ECHELLE	PRINTING SCALE/ ÉCHELLE D'IMPRESSION	
CONCEPTION BY SM	CONÇUS PAR	IF THIS BAR IS NOT 25mm LONG, ADJUST YOUR PRINTING SCALE.	
DRAWN BY SW	DESSINÉ PAR	SI CETTE LIGNE NE MESURE PAS 25mm, AJUSTEZ VOTRE ÉCHELLE D'IMPRESSION.	
CHECKED BY SM	VÉRIFIÉ PAR		

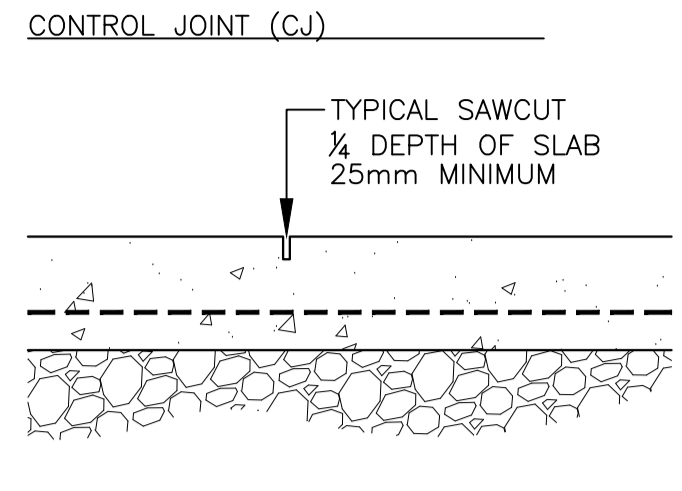
ARCHITECT'S STAMP / ASSOCIATION OF LANDSCAPE ARCHITECTS OF ONTARIO / ASSOCIATION DES ARCHITECTES PAYSAGISTES DE L'ONTARIO

DRAWING No / DESSIN N°
L1.0

REVISION No / RÉVISION N°
 0

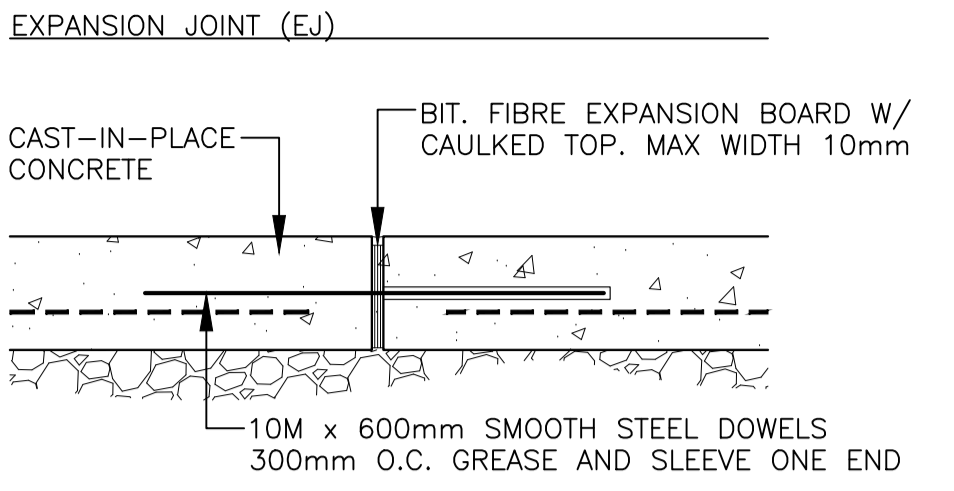


1 CONCRETE PAVING 1:10

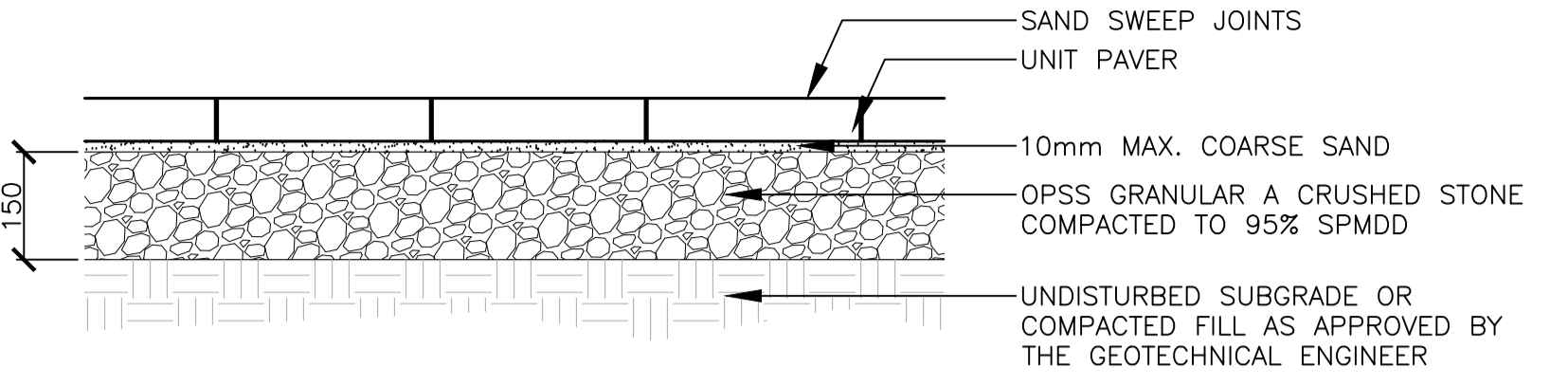


NOTES:
1. REFER TO DRAWINGS FOR JOINT LAYOUT
2. SAWCUT WITHIN 48 HOURS OF POUR
3. NO TOOLED EDGES

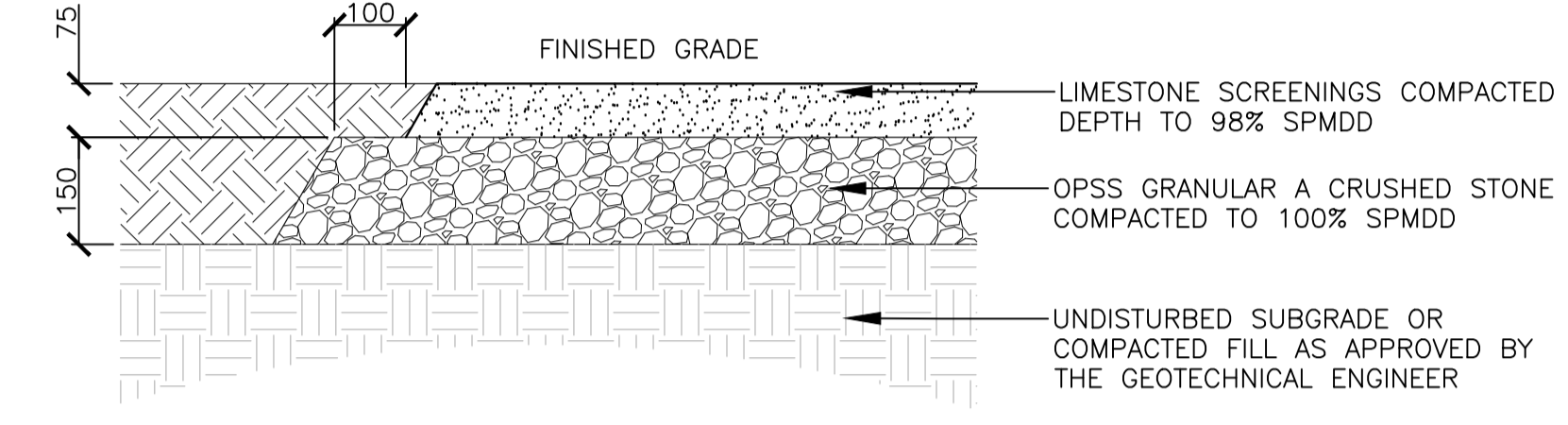
2 CONCRETE JOINTS 1:10



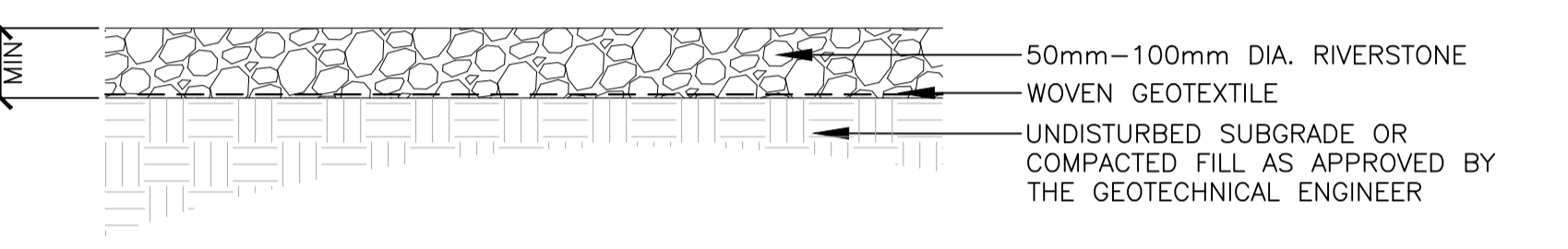
NOTES:
1. REFER TO DRAWINGS FOR JOINT LAYOUT
2. ALL STEEL DOWELS TO BE EPOXY-COATED
3. NO TOOLED EDGES



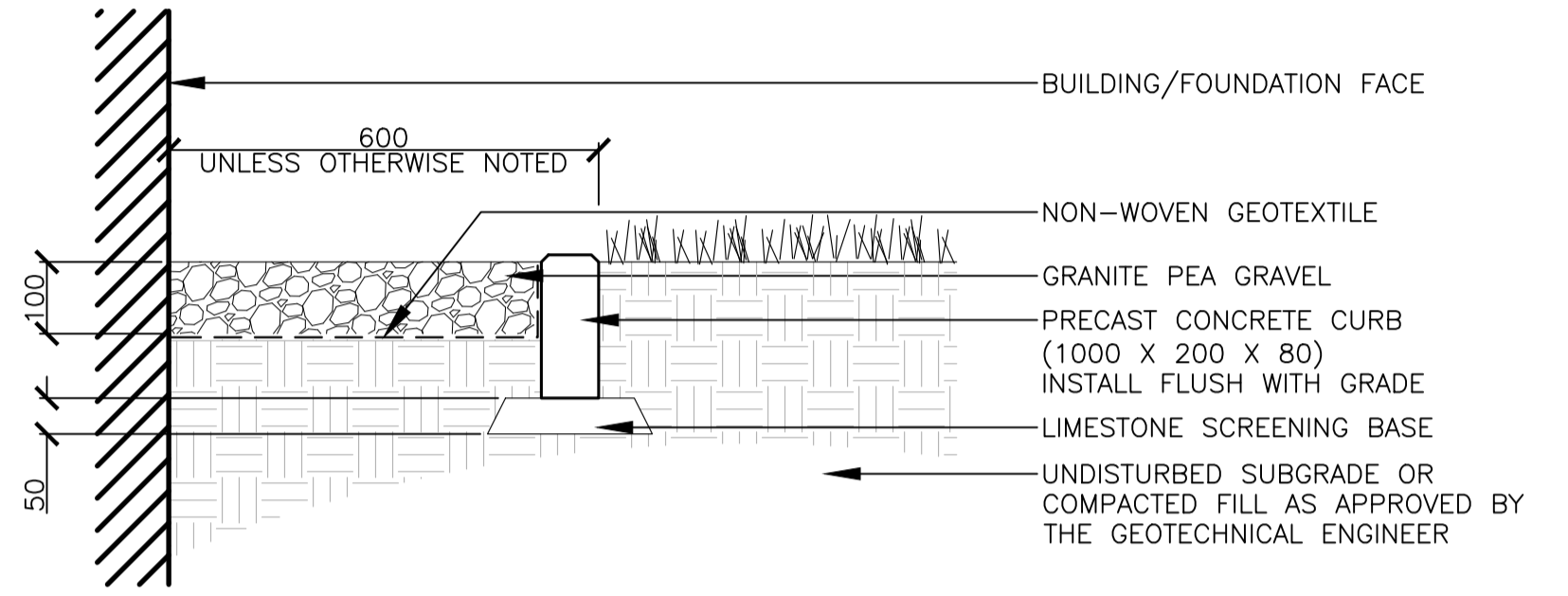
3 UNIT PAVING 1:10



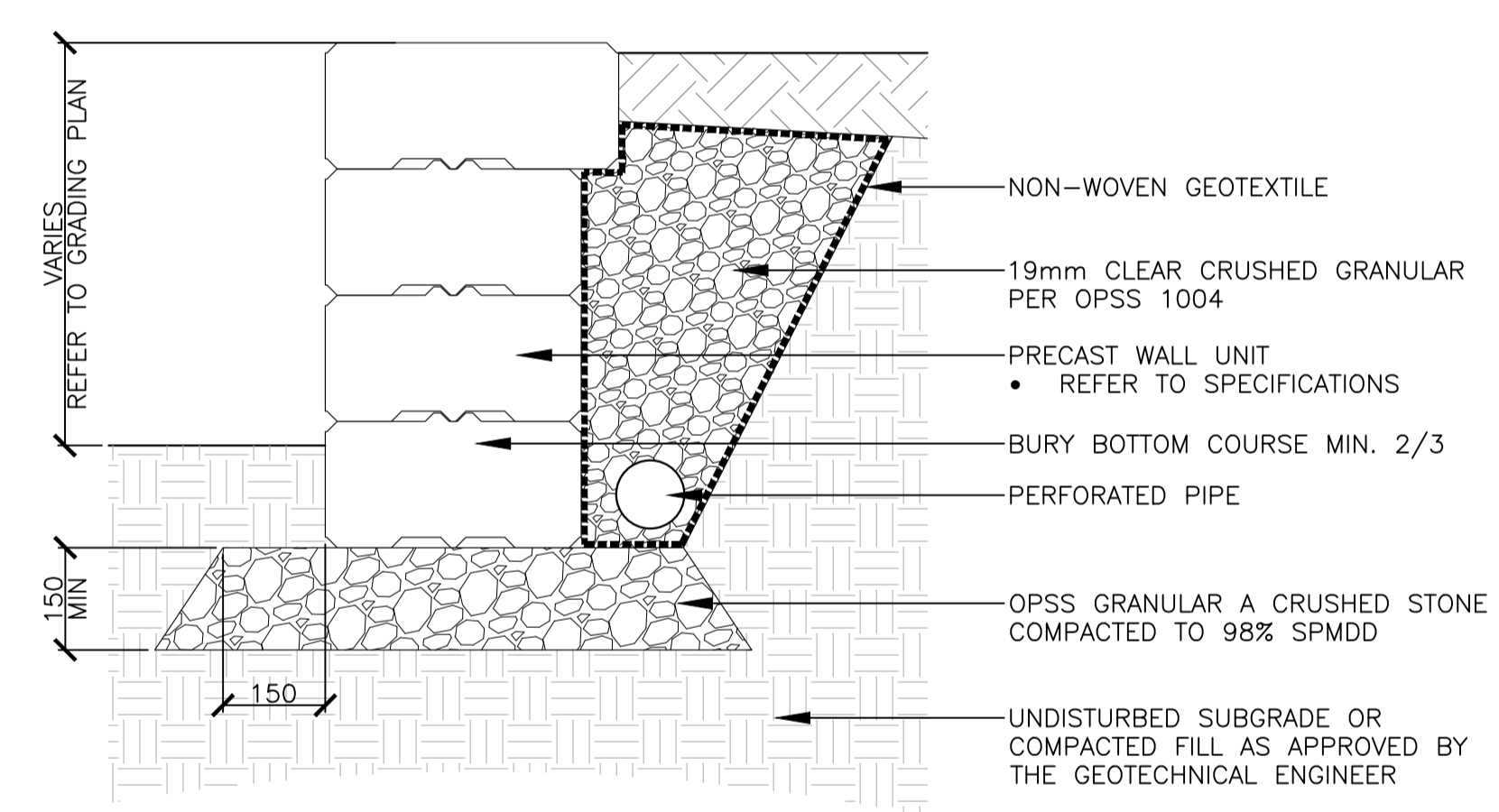
4 STONEDUST PAVING 1:10



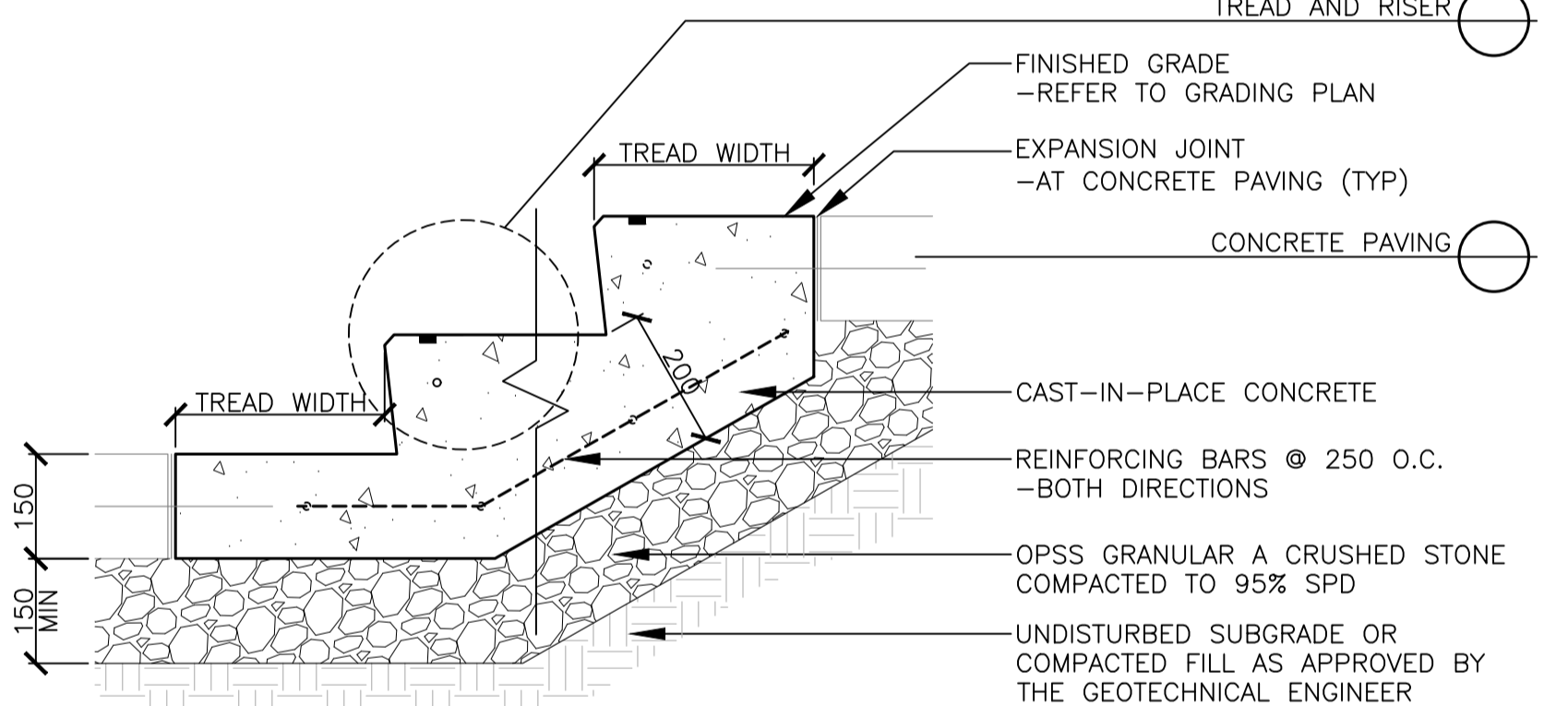
5 RIVERSTONE PAVING 1:10



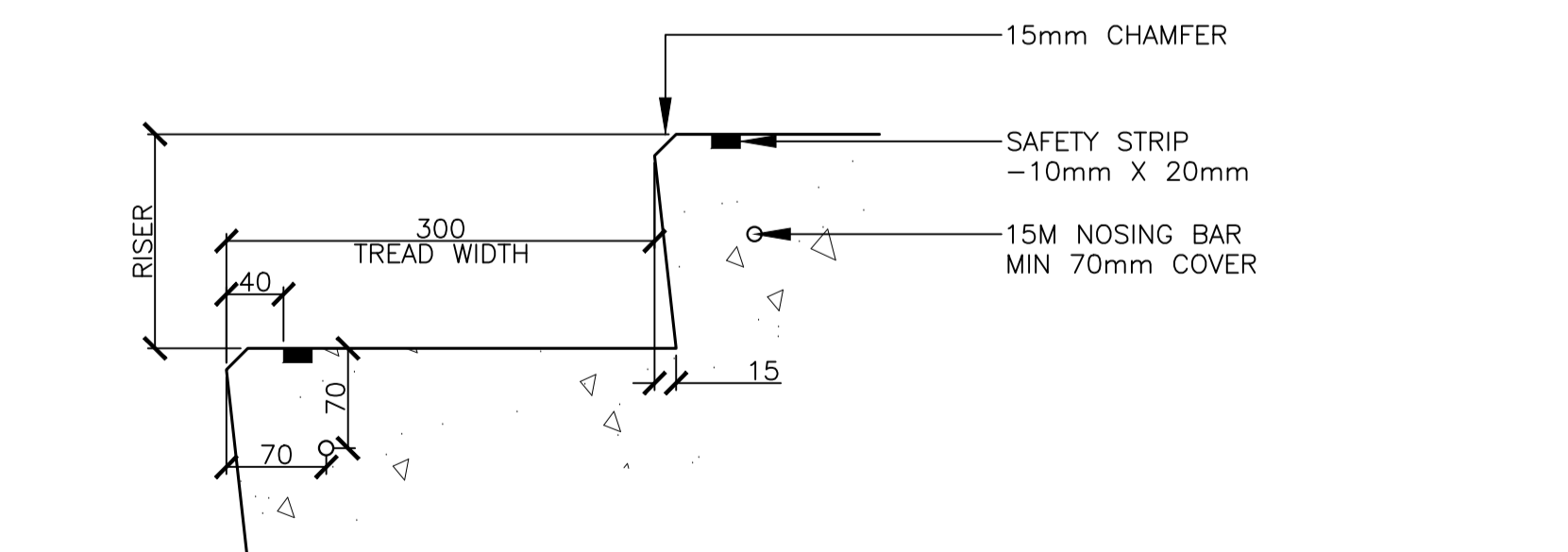
6 MAINTENANCE EDGE 1:10



7 PRECAST RETAINING WALL 1:10

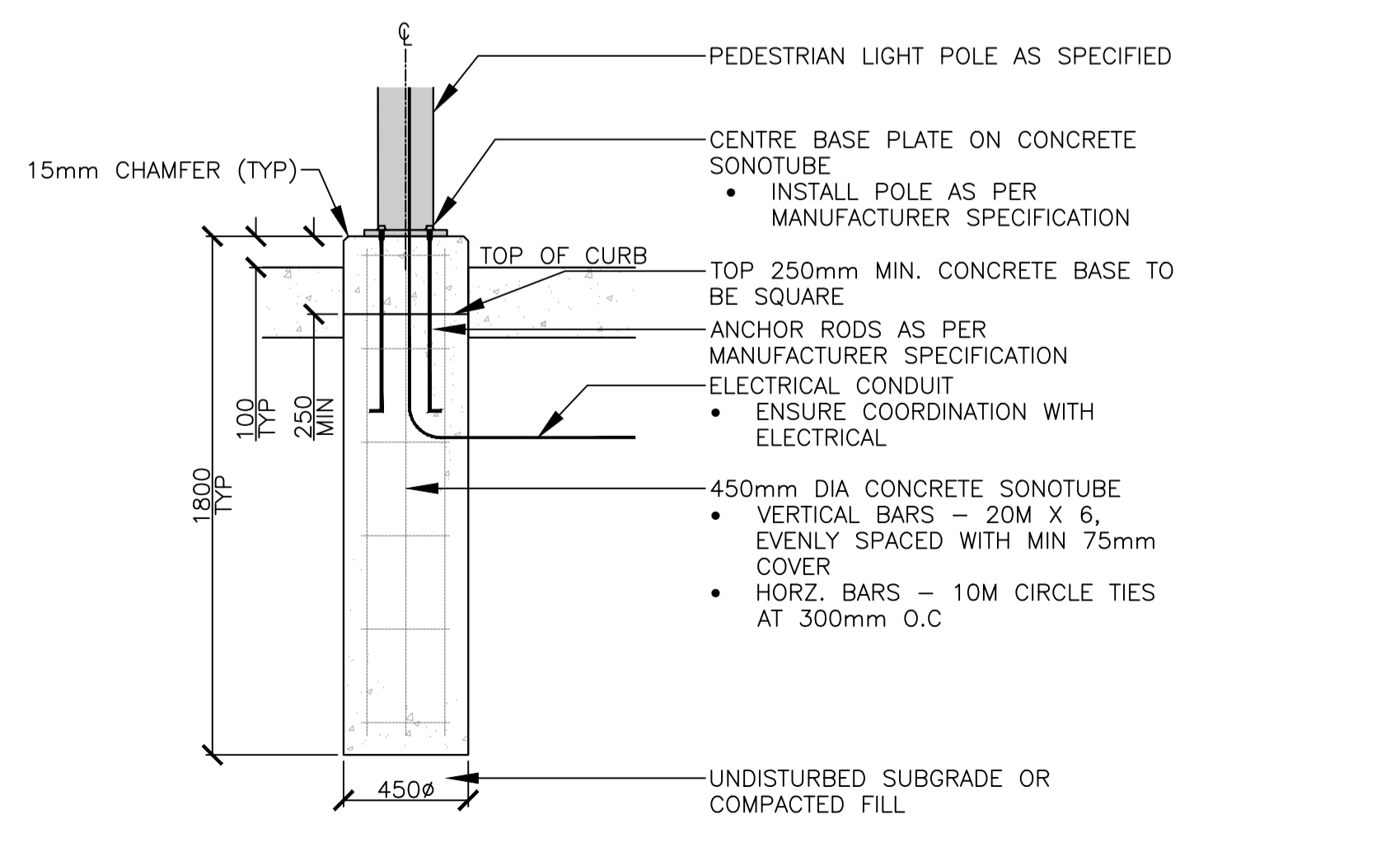


8 CONCRETE STAIR 1:10

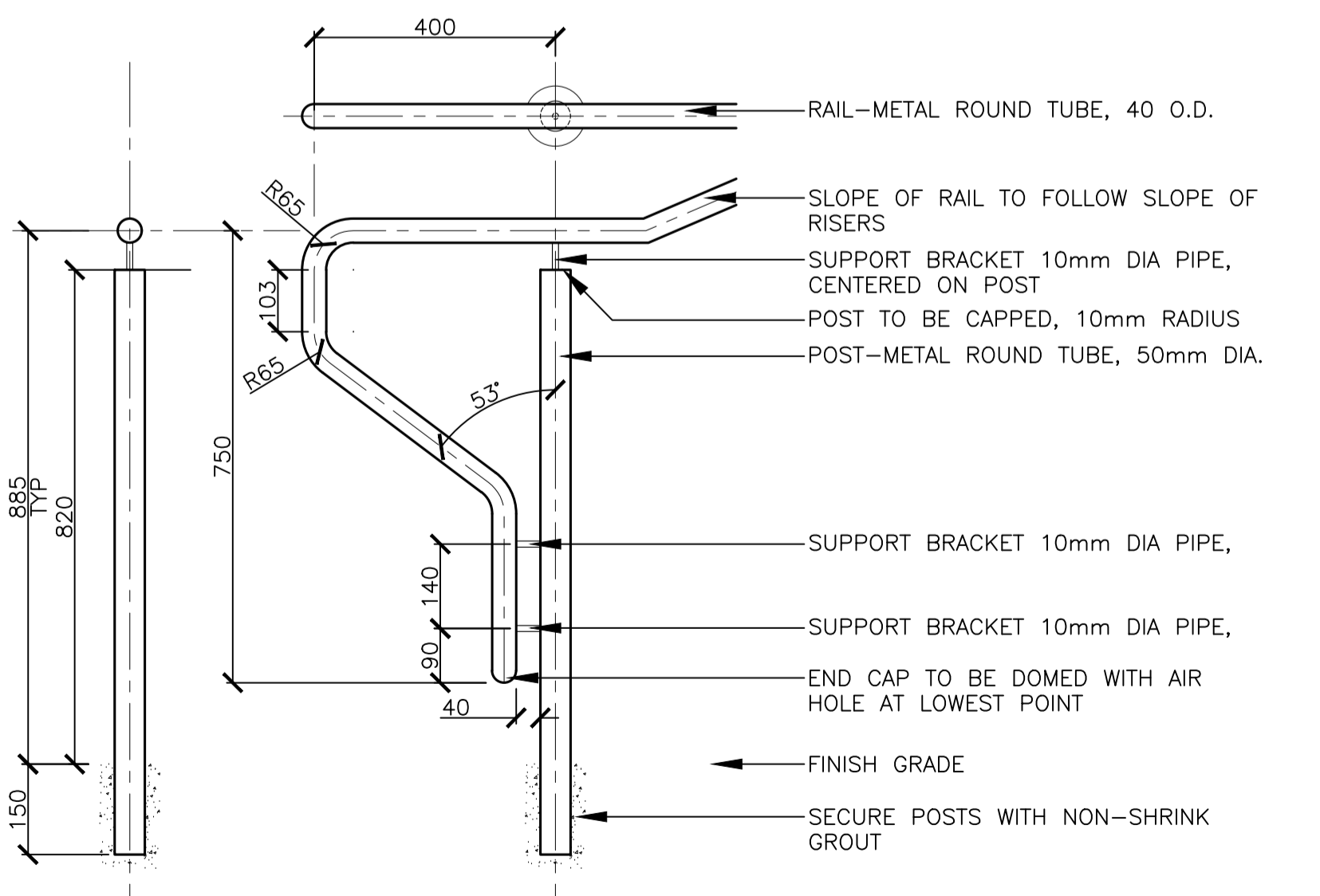


NOTES:
• ALL RISERS AS PART OF SET OF STAIRS SHALL HAVE THE SAME HEIGHT AND WIDTH OF TREAD
• SAFETY STRIP
• CARBORUNDUM / EPOXY MIX
• RAISED TEXTURE SET INTO EACH STAIR TREAD
• TERMINATE SAFETY STRIP 50mm FROM EDGE OF STAIRS
• SLOPE TREADS TO DRAIN AT 1% (ENSURE POSITIVE DRAINAGE ON ALL TREADS)
• ALL EXPOSED SURFACES TO BE TROWELED WITH MEDIUM SANDBLAST FINISH (ENSURE NON SLIP SURFACE)
• REFER TO CIVIL FOR GRADING AND RISER HEIGHTS

9 TREAD AND RISER 1:5

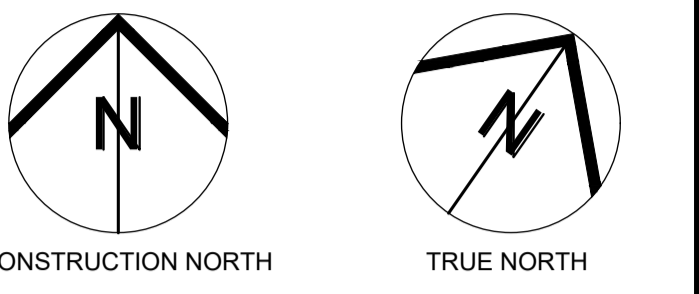


10 PEDESTRIAN LIGHT 1:20



NOTES:
1. HANDRAIL TO BE MARINE GRADE, SAE 316, STAINLESS STEEL
2. ALL WELDS TO BE FULL LENGTH AND BOTH SIDES OF ALL METAL SURFACES
3. GRIND SMOOTH ALL JOINTS AND EDGES
4. CONTRACTOR TO SUBMIT SHOP DRAWINGS FOR REVIEW PRIOR TO FABRICATION

11 HANDRAIL 1:10



4	ISSUED FOR SPA	18/05/23
3	ISSUED FOR RE-ZONING	12/05/23
2	ISSUED FOR RE-ZONING	20/04/23
1	ISSUED FOR RE-ZONING	18/01/23
No N°	ISSUE/REVISION ÉMISSION/RÉVISION	DATE DD/MM/YY

1066 Somerset Street West, Suite 200, Ottawa Ontario, K1Y 4T3
Telephone: 613.724.9914 E-mail: architecture@brydengibson.ca

PROJECT NAME / NOM DU PROJET
Taite Residence
121 Brae Cres, Stittsville, ON K2S 1P1

DRAWING TITLE / TITRE DU DESSIN
LANDSCAPE DETAILS

JOB No 2157-01	N° DE PROJET	DATE JAN 2023	DATE
SCALE AS NOTED	ECHELLE	PRINTING SCALE/ ÉCHELLE D'IMPRESSION	
CONCEPTION BY SW	CONÇUS PAR	IF THIS BAR IS NOT 25mm LONG, ADJUST YOUR PRINTING SCALE.	
DRAWN BY SW	DESSINÉ PAR	SI CETTE LIGNE NE MESURE PAS 25mm, AJUSTEZ VOTRE ÉCHELLE D'IMPRESSION.	
CHECKED BY JC	VÉRIFIÉ PAR		

ARCHITECT'S STAMP / SCAU D'ARCHITECTE
ASSOCIATION OF LANDSCAPE ARCHITECTS / ASSOCIATION DES ARCHITECTES PAYSAGISTES
MEMBER / MEMBRE
DRAWING No / DESSIN N°
L2.0
REVISION No / RÉVISION N°
0