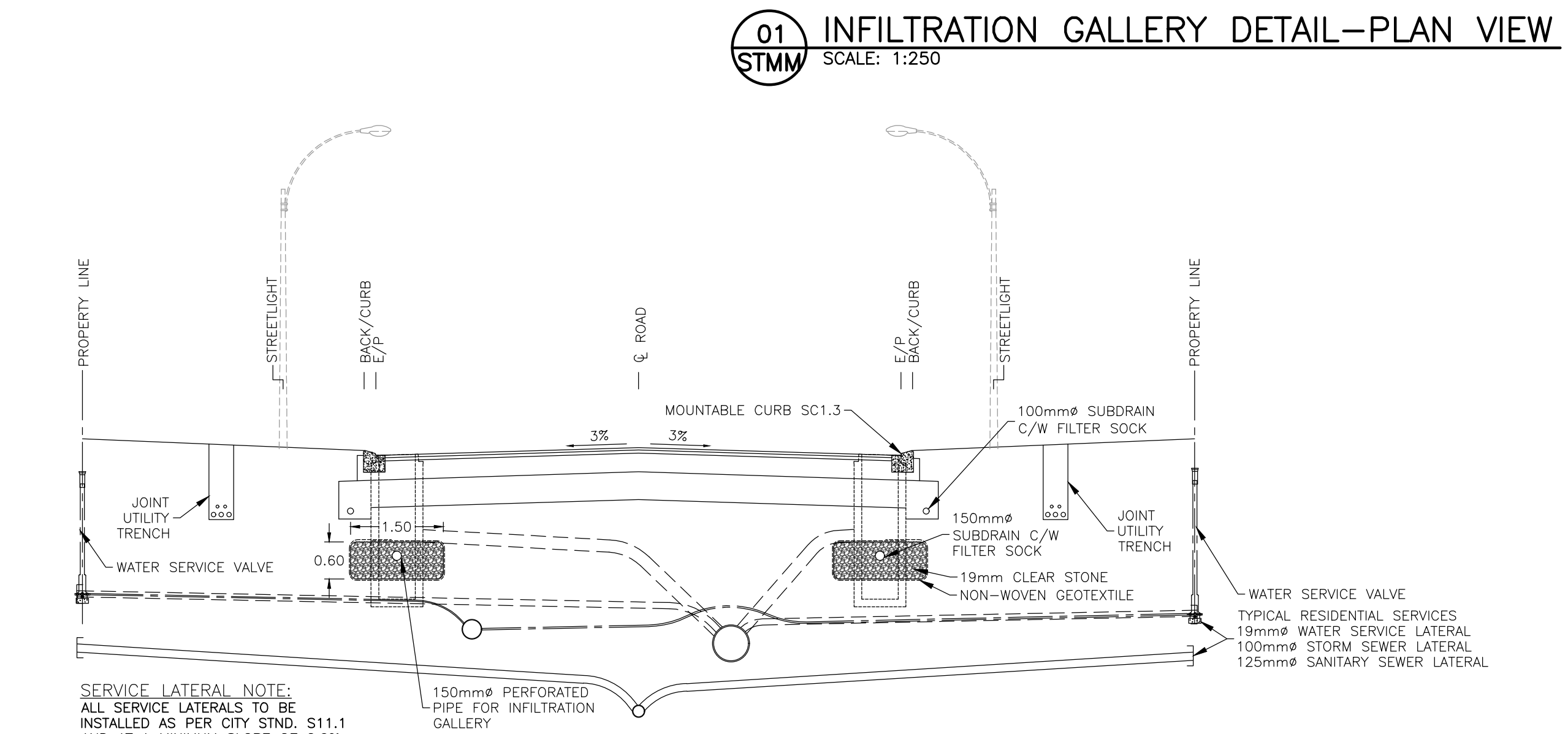
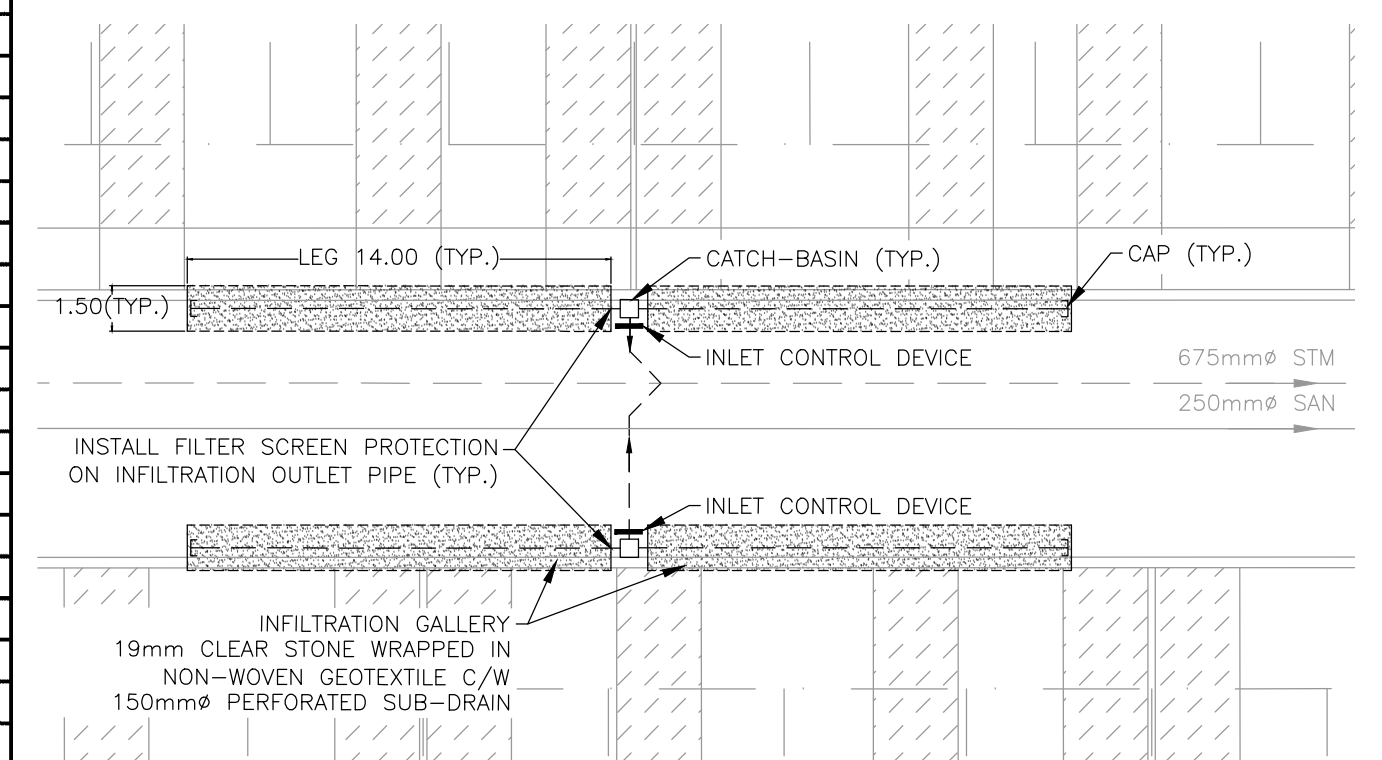
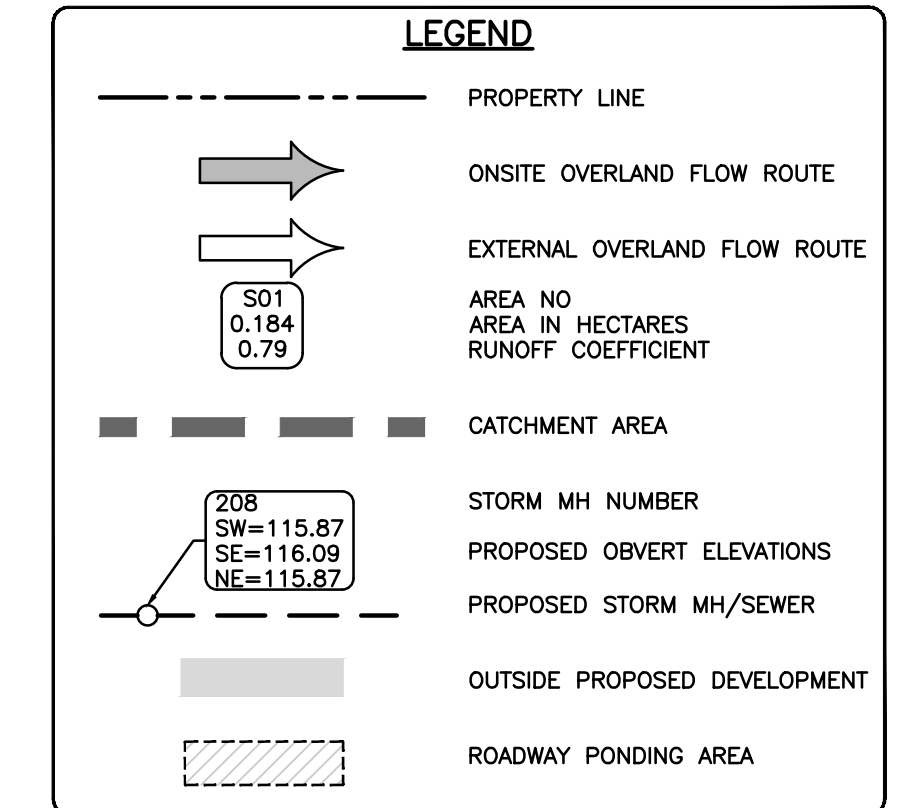
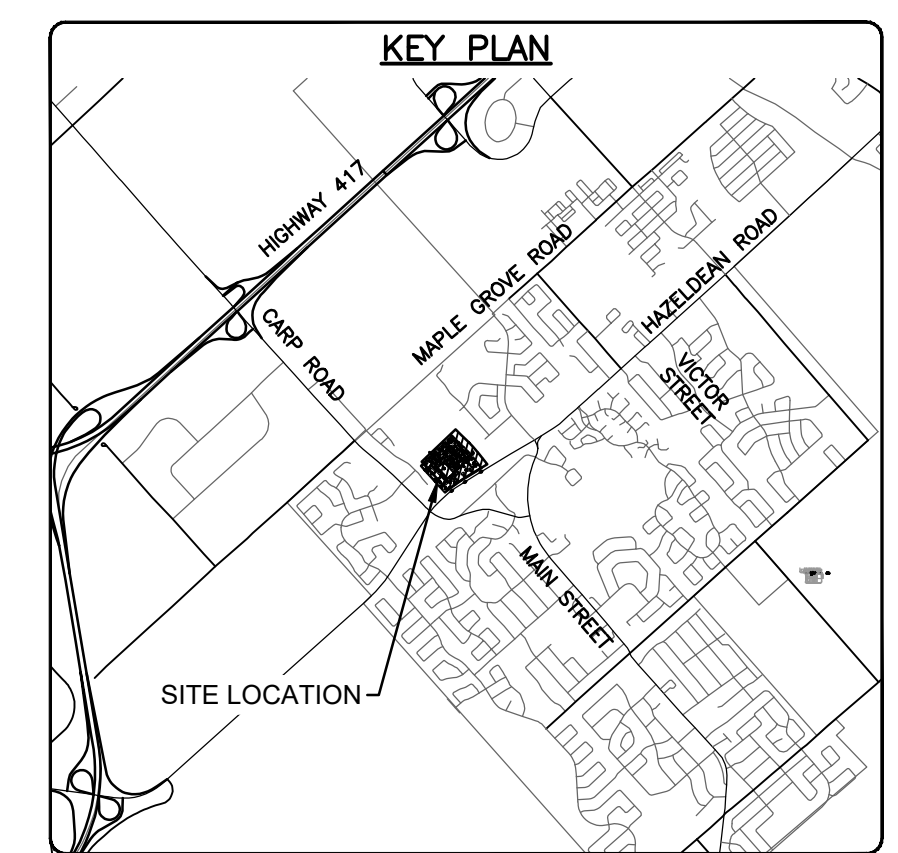




PONDING NAME	ROADWAY PONDING				L.I.D. INFILTRATION				
	MAX SPILL AREA (m ²)	MAX SPILL ELEV (m)	MIN ELEV (m)	SPILL DEPTH (m)	NUMBER OF LEGS	LENGTH (m)	TOTAL VOLUME (m ³)	VOID RATIO	STORAGE VOLUME (m ³)
SP-01	710	120.17	119.95	0.22	4	14.0	50.4	35%	17.64
SP-02	304	119.39	119.253	0.137	4	14.0	50.4	35%	17.64
SP-03	446	118.77	118.53	0.16	4	14.0	50.4	35%	17.64
SP-04	866	118.62	118.33	0.29	4	14.0	50.4	35%	17.64
SP-05	760	118.52	118.23	0.29	4	14.0	50.4	35%	17.64
SP-06	1272	118.42	118.13	0.29	4	14.0	50.4	35%	17.64
SP-07	406	118.25	118.08	0.17	4	14.0	50.4	35%	17.64

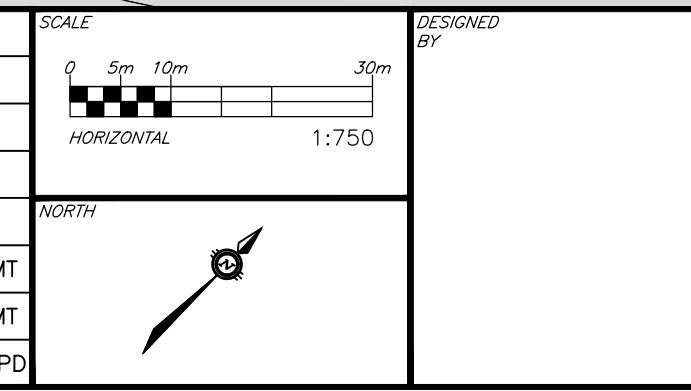
NAME	TYPE	ICD	ICD_TYPE	INTERCONNEC TED	REF_PONDING LOC	INTERCONNEC TED TO
CB02	FLOW-BY	YES	TYPE A	NO	N/A	N/A
CB03	PONDING	YES	TYPE C	NO	SP-01	N/A
CB04	PONDING	YES	TYPE C	NO	SP-01	N/A
CB08	FLOW-BY	YES	TYPE B	NO	N/A	N/A
CB09	FLOW-BY	YES	TYPE B	NO	N/A	N/A
CB11	FLOW-BY	YES	TYPE B	NO	N/A	N/A
CB12	PONDING	NO	NONE	YES	SP-03	CB13
CB13	PONDING	YES	TYPE B	YES	SP-03	CB12
CB15	PONDING	YES	TYPE C	NO	SP-04	N/A
CB16	PONDING	YES	TYPE C	NO	SP-04	N/A
CB17	PONDING	YES	TYPE A	YES	SP-05	N/A
CB18	PONDING	YES	TYPE A	YES	SP-05	N/A
CB20	FLOW-BY	YES	TYPE B	YES	N/A	CB21
CB21	FLOW-BY	YES	NONE	YES	N/A	CB20
CB23	PONDING	YES	TYPE B	NO	SP-06	N/A
CB24	PONDING	YES	TYPE B	NO	SP-06	N/A
CB25	PONDING	YES	TYPE B	NO	SP-06	N/A
CB28	PONDING	YES	NONE	YES	SP-02	CB29
CB29	PONDING	YES	TYPE B	YES	SP-02	CB28
CB30	PONDING	YES	TYPE A	NO	SP-07	N/A
CB31	PONDING	YES	TYPE A	NO	SP-07	N/A
CB33	FLOW-BY	YES	TYPE A	YES	N/A	CB34
CB34	FLOW-BY	NO	NONE	YES	N/A	CB33
CB36	FLOW-BY	YES	TYPE A	NO	N/A	N/A
CB37	FLOW-BY	YES	TYPE A	YES	N/A	CB38
CB38	FLOW-BY	NO	NONE	YES	N/A	CB37
CB42	FLOW-BY	YES	TYPE A	YES	N/A	CB43
CB43	FLOW-BY	YES	NONE	YES	N/A	CB42
CB44	FLOW-BY	YES	TYPE C	YES	N/A	CB45
CB45	FLOW-BY	YES	TYPE C	YES	N/A	CB44
CB50	FLOW-BY	YES	TYPE A	NO	N/A	N/A
CB51	FLOW-BY	YES	TYPE A	NO	N/A	N/A
CB52	FLOW-BY	YES	TYPE A	NO	N/A	N/A
CB55	FLOW-BY	YES	TYPE A	NO	N/A	N/A
CB56	FLOW-BY	YES	TYPE B	YES	N/A	N/A
CB57	FLOW-BY	YES	TYPE A	NO	N/A	N/A
CB58	FLOW-BY	YES	N/A	YES	N/A	CB56
CB60	FLOW-BY	NO	N/A	YES	N/A	CB79
CB62	FLOW-BY	NO	N/A	YES	N/A	CB79
CB70	FLOW-BY	YES	TYPE C	NO	N/A	N/A
CB71	FLOW-BY	YES	TYPE C	NO	N/A	N/A
CB79	FLOW-BY	YES	TYPE C	YES	N/A	CB60
CB80	FLOW-BY	YES	TYPE B	NO	N/A	N/A



CAUTION
THE POSITION OF ALL POLE LINES, CONDUITS, WATERMANS, SEWERS AND OTHER UNDERGROUND AND OVERGROUND UTILITIES AND STRUCTURES IS NOT NECESSARILY SHOWN ON THE CONTRACT DRAWINGS, AND WHERE SHOWN, THE ACCURACY OF THE POSITION OF SUCH UTILITIES AND STRUCTURES IS NOT GUARANTEED. BEFORE STARTING WORK, DETERMINE THE EXACT LOCATION OF ALL SUCH UTILITIES AND STRUCTURES AND ASSUME ALL LIABILITY FOR DAMAGE TO THEM.

PRELIMINARY
NOT FOR CONSTRUCTION

REV	REVISION DESCRIPTION	DATE	BY	APPD
2	SUBMISSION NO.2	04/27/21	SK	BMT
1	SUBMISSION NO.1	04/08/20	SK	BMT



<p>REVIEWED BY</p> <p>CLIENT</p> <p>11654128 CANADA INC. 768 BOULEVARD ST. JOSEPH GATINEAU, QC</p>	<p>BASEPLAN</p> <p>DESIGN</p> <p>CHECKED</p> <p>CAD</p> <p>PROJECT MANAGER</p> <p>APPROVED</p>	<p>PROJECT</p> <p>6171 HAZELDEAN ROAD OTTAWA, ONTARIO.</p> <p>MACRO STORM DRAINAGE AREA PLAN</p>	<p>PROJECT No.</p> <p>258780</p> <p>SURVEY</p> <p>Z38800-FMW</p> <p>DATE</p> <p>24/07/20</p> <p>DRAWING No.</p> <p>STMM</p>
--	--	--	---