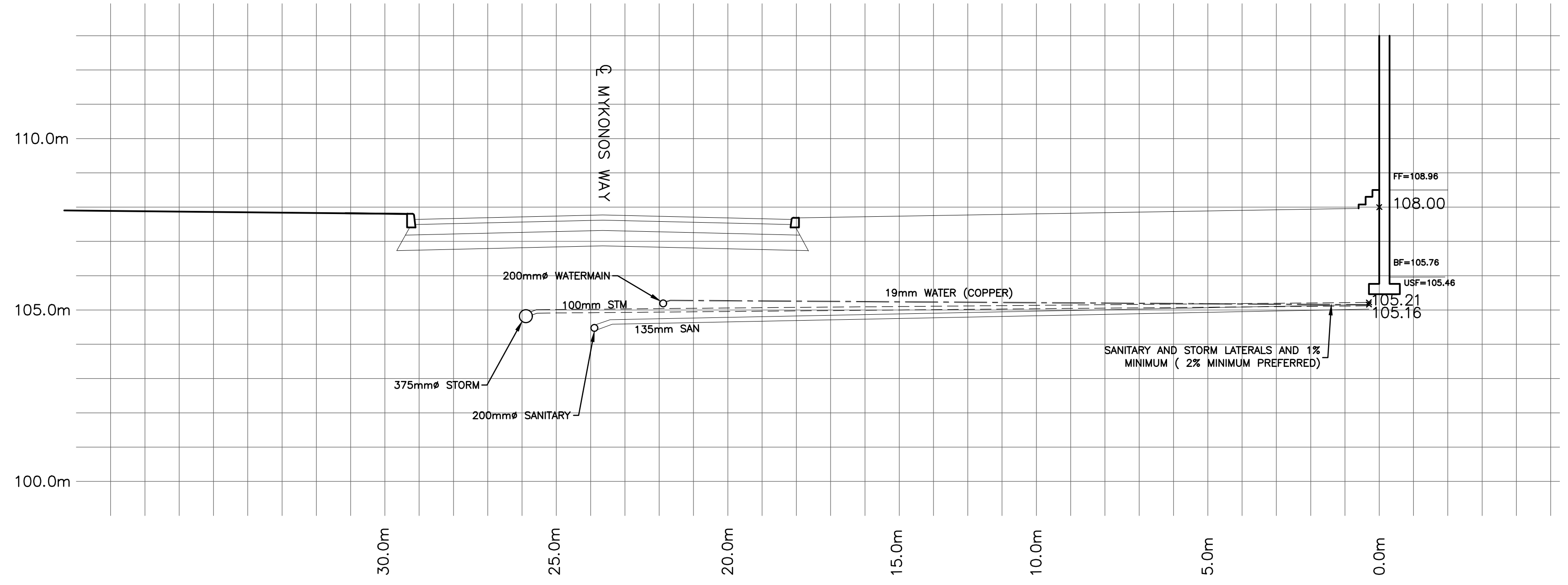
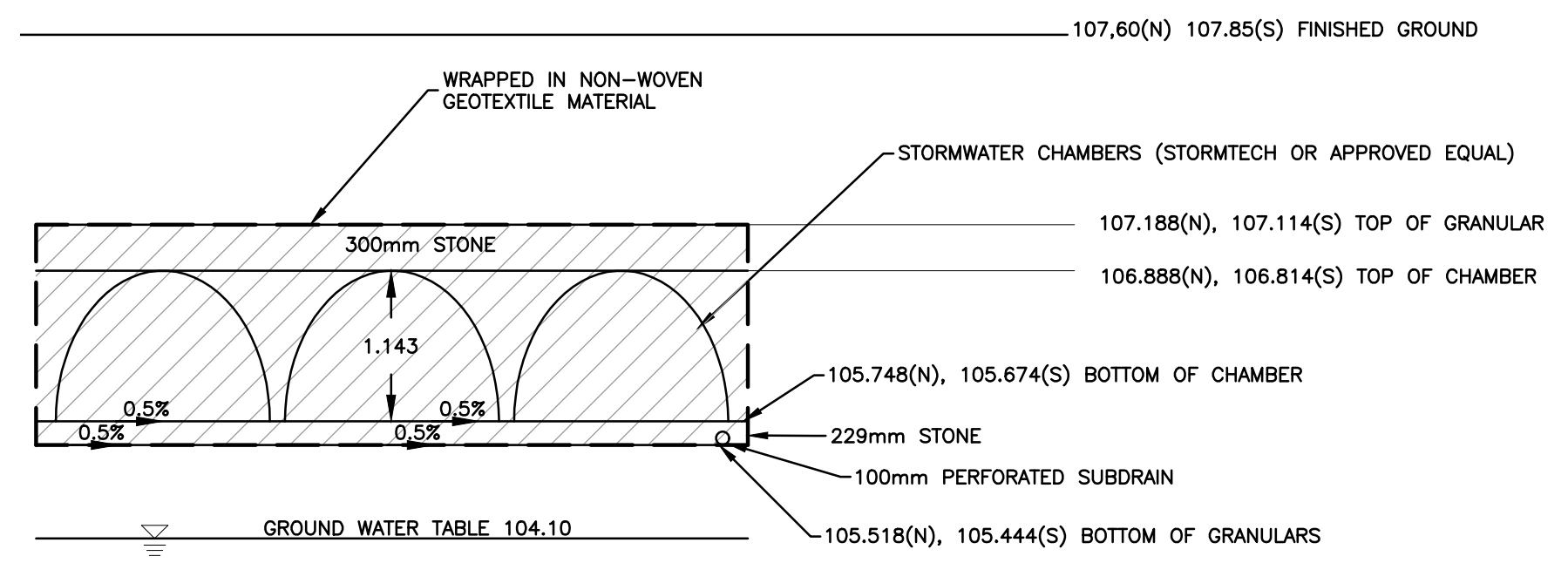


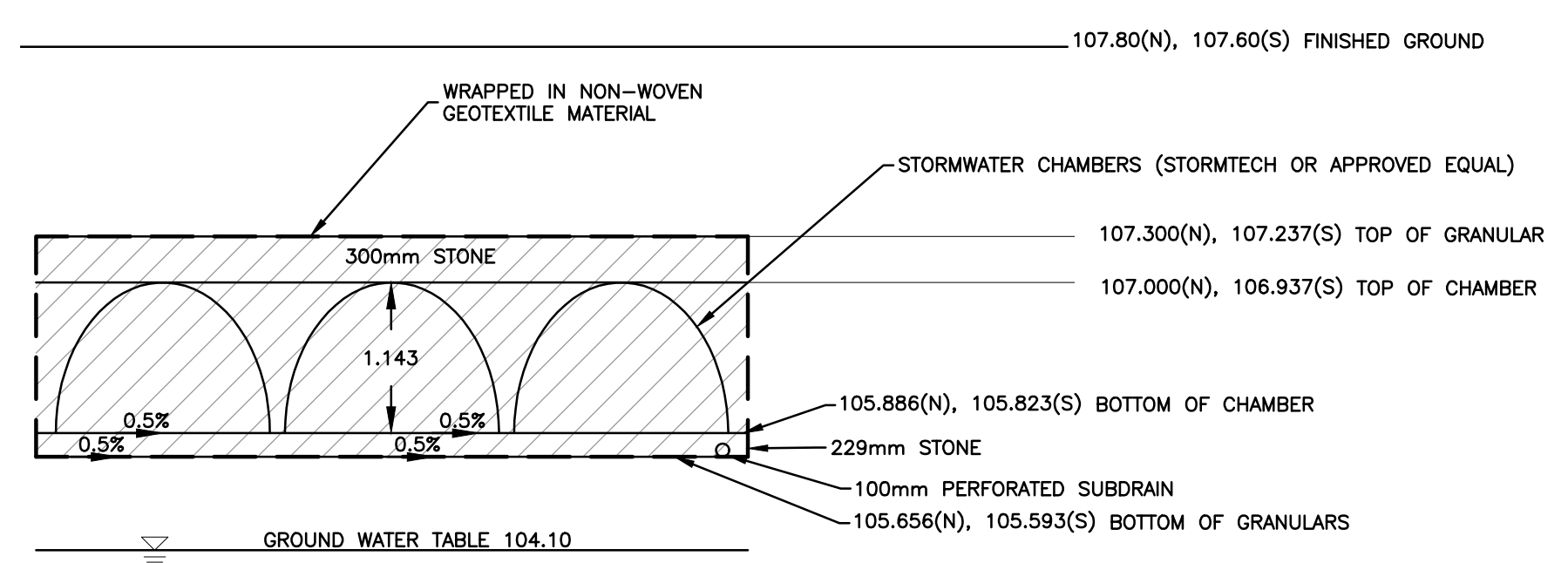
**TYPICAL SERVICING
MAPLE GROVE DRIVE**
NOT TO SCALE



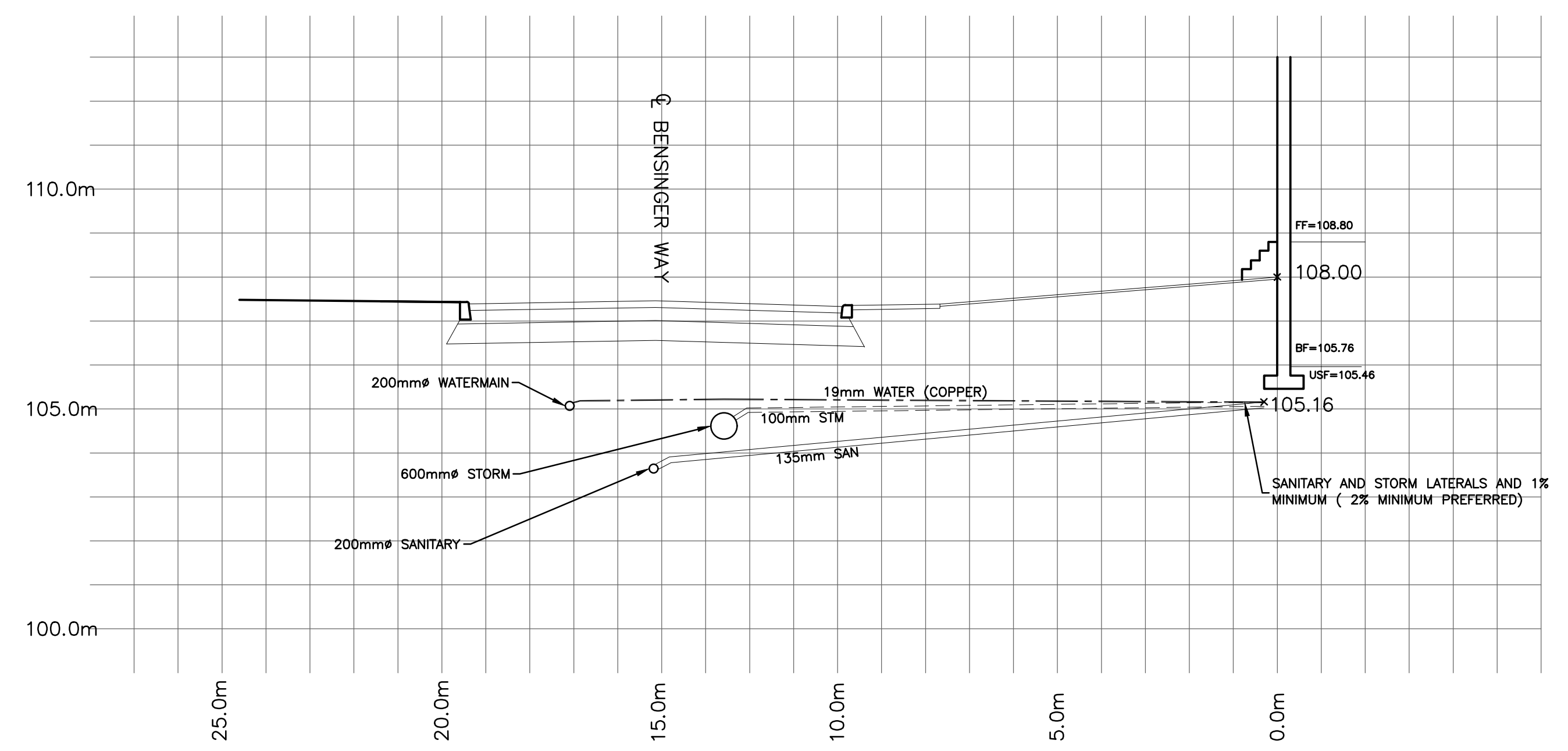
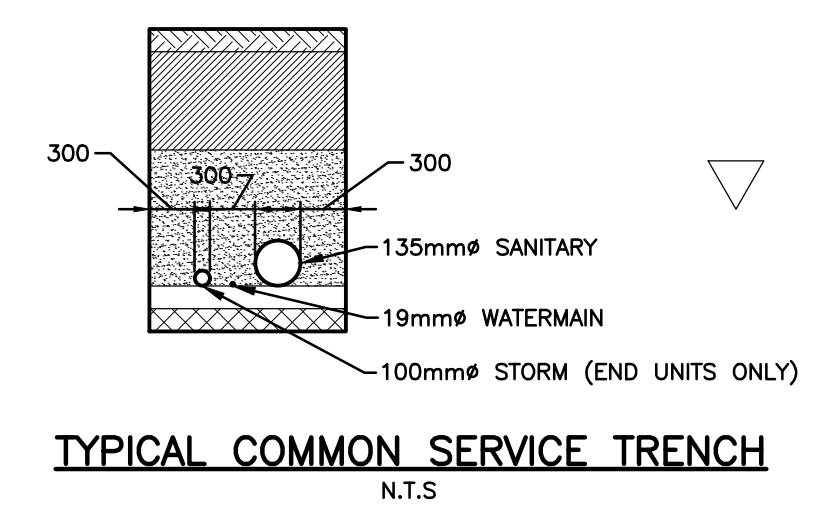
**TYPICAL SERVICING
MYKONOS CRESCENT**
NOT TO SCALE



TYPICAL MC3500 UNDERGROUND CHAMBERS SECTION (CHAMBERS 1)
N.T.S.



TYPICAL MC3500 UNDERGROUND CHAMBERS SECTION (CHAMBERS 2)
N.T.S.



**TYPICAL SERVICING
BENSINGER WAY**
NOT TO SCALE

CAUTION
THE POSITION OF ALL POLE LINES, CONDUITS, WATERMANS, SEWERS AND OTHER UNDERGROUND AND OVERGROUND UTILITIES AND STRUCTURES IS NOT NECESSARILY SHOWN ON THE CONTRACT DRAWINGS, AND WHERE SHOWN, THE ACCURACY OF THE POSITION OF SUCH UTILITIES AND STRUCTURES IS NOT GUARANTEED. BEFORE STARTING WORK, DETERMINE THE EXACT LOCATION OF ALL SUCH UTILITIES AND STRUCTURES AND ASSUME ALL LIABILITY FOR DAMAGE TO THEM.

REV	REVISION DESCRIPTION	DATE	BY	APPD
2	REVISED AS PER CITY COMMENTS	30/09/20	SAB	BMT
1	ISSUED FOR SITE PLAN APPROVAL	20/04/06	MZG	BMT

REV	REVISION DESCRIPTION	DATE	BY	APPD
2	REVISED AS PER CITY COMMENTS	30/09/20	SAB	BMT
1	ISSUED FOR SITE PLAN APPROVAL	20/04/06	MZG	BMT

DESIGNED BY	REVIEWED BY	CLIENT
		10886378 CANADA INC 190 LISGAR STREET OTTAWA, ON.
exp Services Inc. 1-1-813-888-1899 1-1-813-225-7330 3005 Leesville Drive, Unit 100 Ottawa, ON K2B 8H6 Canada www.exp.com	BUILDINGS • EARTH & ENVIRONMENT • ENERGY • INDUSTRIAL • INFRASTRUCTURE • SUSTAINABILITY	

BASEPLAN	MZG	PROJECT	1869 MAPLE GROVE 1869 MAPLE GROVE ROAD OTTAWA, ONTARIO.
DESIGN	MZG		
CHECKED	BMT		
CAD	MZG	TITLE	DETAILS PAGE
PROJECT MANAGER	BMT		
APPROVED	BMT		

PROJECT NO.	OTT-00254810-A0
SURVEY	AOV
DATE	MARCH 2020
DRAWING NO.	C007

File Name: I:\projects\2020\00254810-A0-1869 maple grove.dwg - 10886378 canada inc\electrical\maple_grove.dwg
 User: bmt
 Date: 2020/03/12 10:58 AM
 Plot: 10886378.dwg