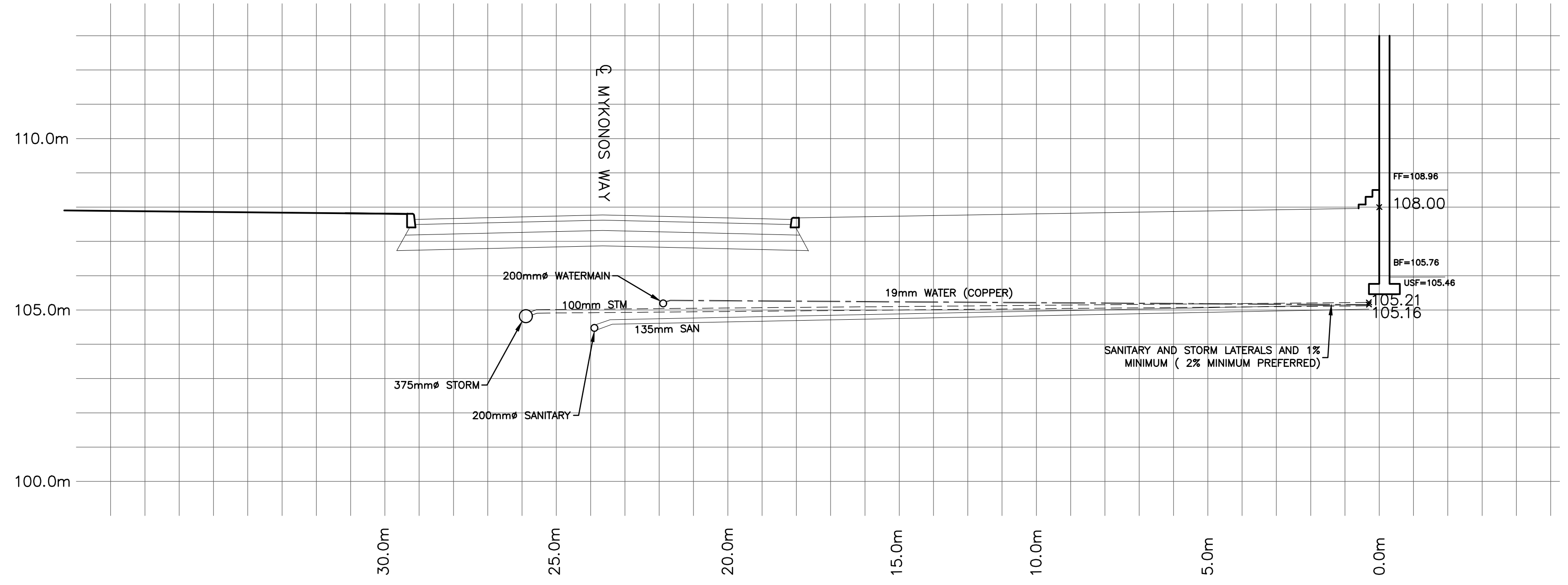
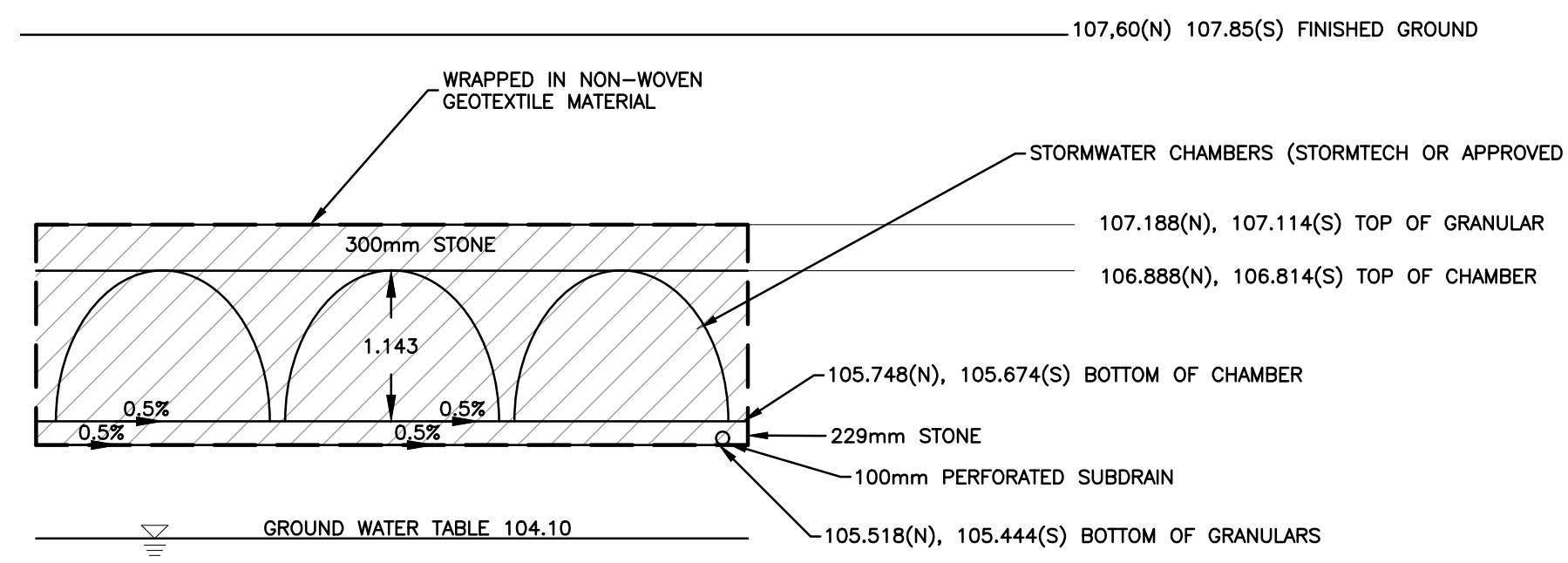


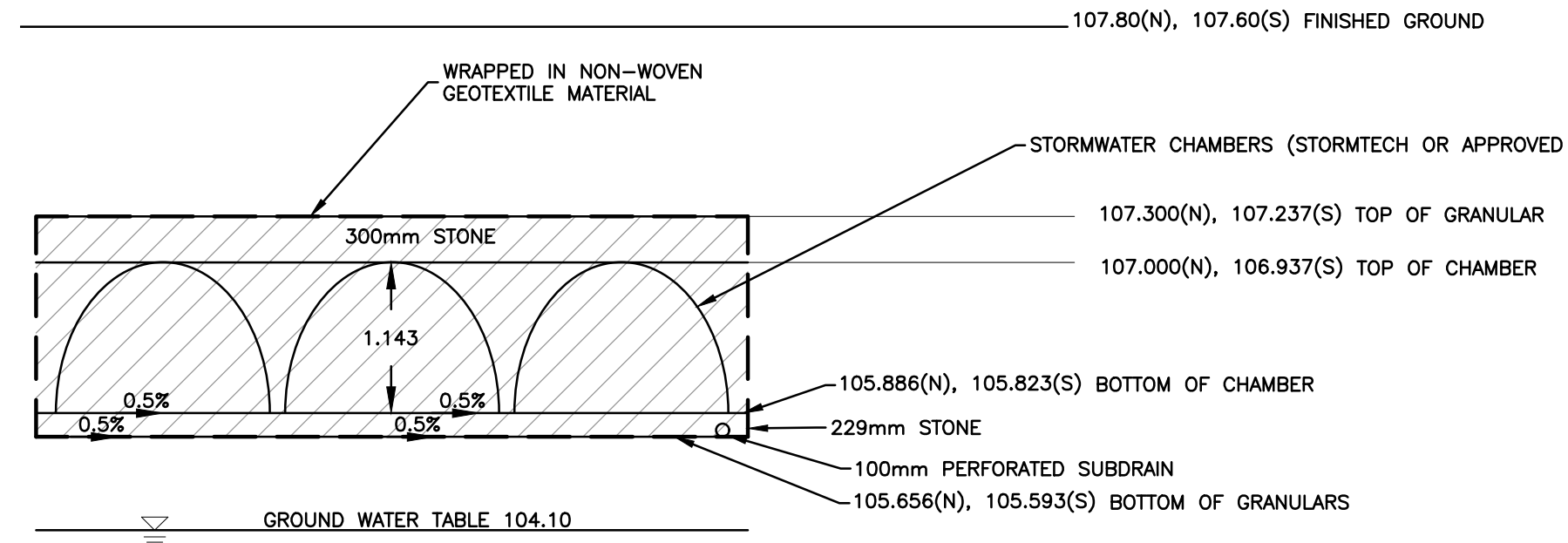
**TYPICAL SERVICING
MAPLE GROVE DRIVE**
NOT TO SCALE



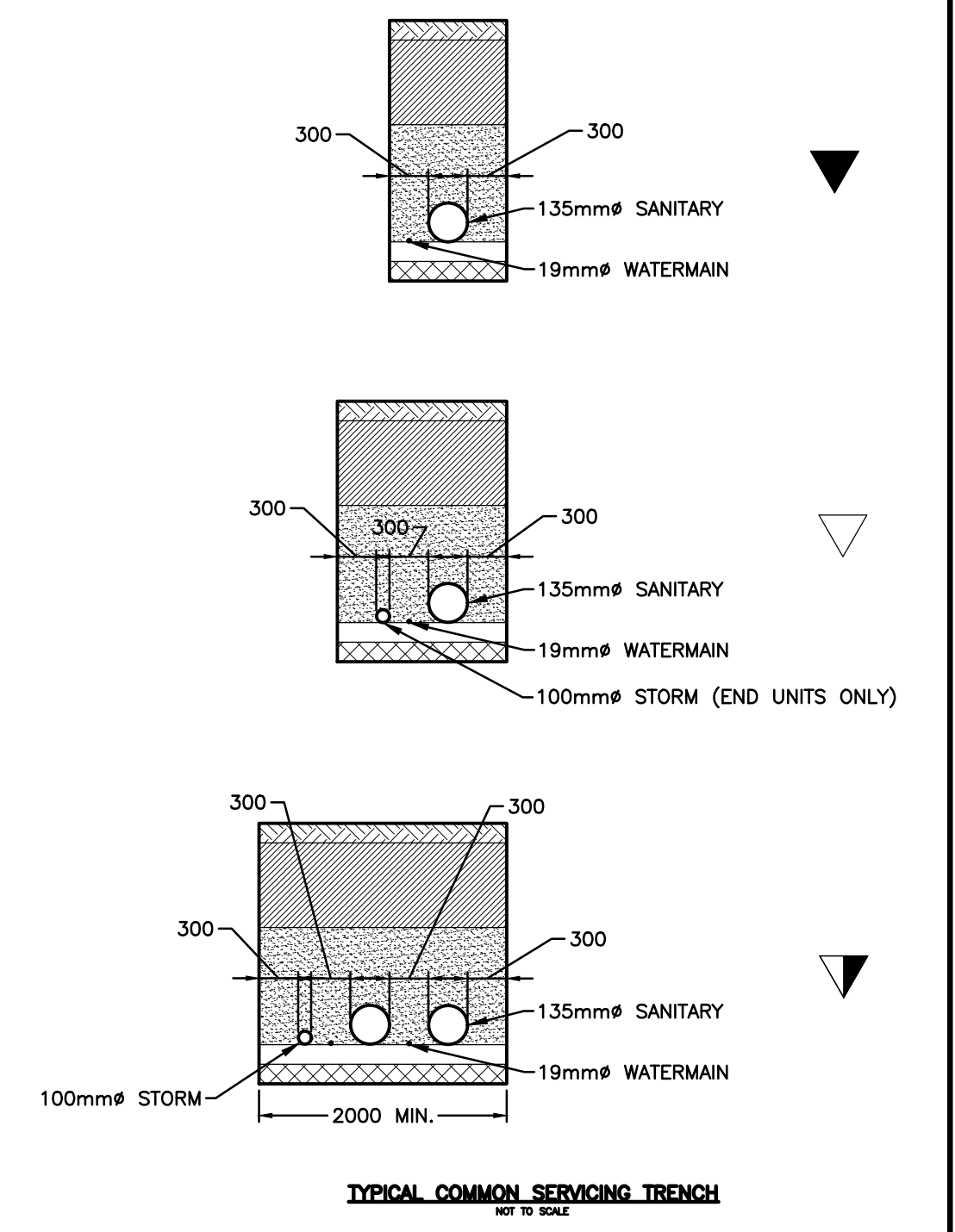
**TYPICAL SERVICING
MYKONOS CRESCENT**
NOT TO SCALE



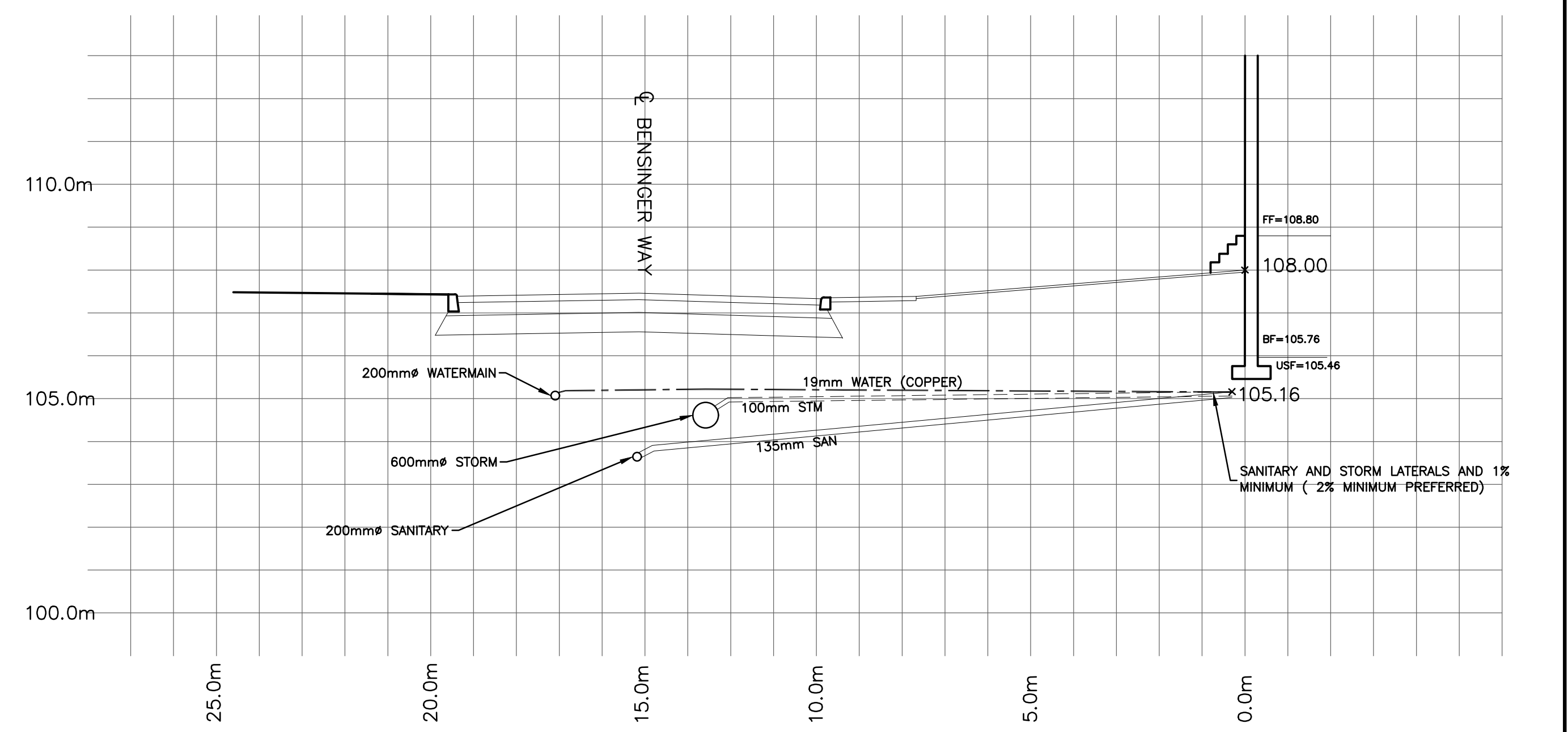
**TYPICAL MC3500 UNDERGROUND CHAMBERS
SECTION (CHAMBERS 1)**
NOT TO SCALE



**TYPICAL MC3500 UNDERGROUND CHAMBERS
SECTION (CHAMBERS 2)**
NOT TO SCALE



TYPICAL COMMON SERVICING TRENCH
NOT TO SCALE



**TYPICAL SERVICING
BENSINGER WAY**
NOT TO SCALE

CAUTION
THE POSITION OF ALL POLE LINES, CONDUITS, WATERMANS, SEWERS AND OTHER UNDERGROUND AND OVERGROUND UTILITIES AND STRUCTURES IS NOT NECESSARILY SHOWN ON THE CONTRACT DRAWINGS, AND WHERE SHOWN, THE ACCURACY OF THE POSITION OF SUCH UTILITIES AND STRUCTURES IS NOT GUARANTEED. BEFORE STARTING WORK, DETERMINE THE EXACT LOCATION OF ALL SUCH UTILITIES AND STRUCTURES AND ASSUME ALL LIABILITY FOR DAMAGE TO THEM.

| REV | REVISION DESCRIPTION | DATE | BY | APPD |
|-----|-------------------------------|----------|-----|------|
| 1 | ISSUED FOR SITE PLAN APPROVAL | 20/04/06 | MZG | BMT |

| DESIGNED BY | REVIEWED BY | CLIENT |
|-------------|-------------|---|
| | | 10886378 CANADA INC 190 LISGAR STREET OTTAWA, ON. |

| BASEPLAN | PROJECT |
|-----------------|---|
| MZG | 1869 MAPLE GROVE 1869 MAPLE GROVE ROAD OTTAWA, ONTARIO. |
| DESIGN | |
| CHECKED | |
| CAD | |
| PROJECT MANAGER | |
| APPROVED | |

| PROJECT NO. | DATE | DRAWING NO. |
|-----------------|------------|-------------|
| OTT-00254810-A0 | MARCH 2020 | C007 |



exp Services Inc.
1-1-873-888-1899 | 1-1-873-225-7330
3002 Lakeshore Drive, Unit 100
Ottawa, ON K2B 8H6
Canada
www.exp.com
• BUILDINGS • EARTH & ENVIRONMENT • ENERGY •
• INDUSTRIAL • INFRASTRUCTURE • SUSTAINABILITY •

DETAILS PAGE