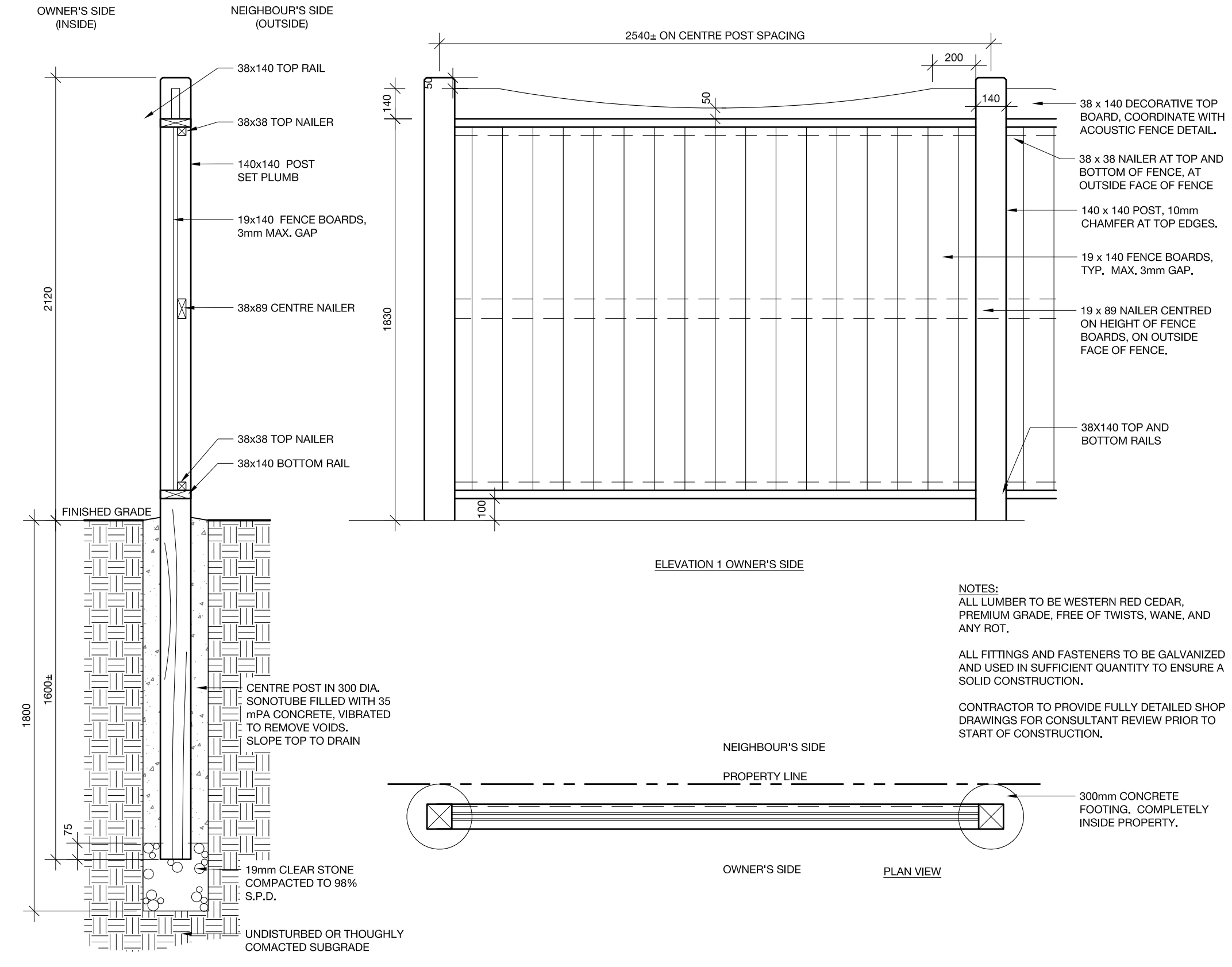
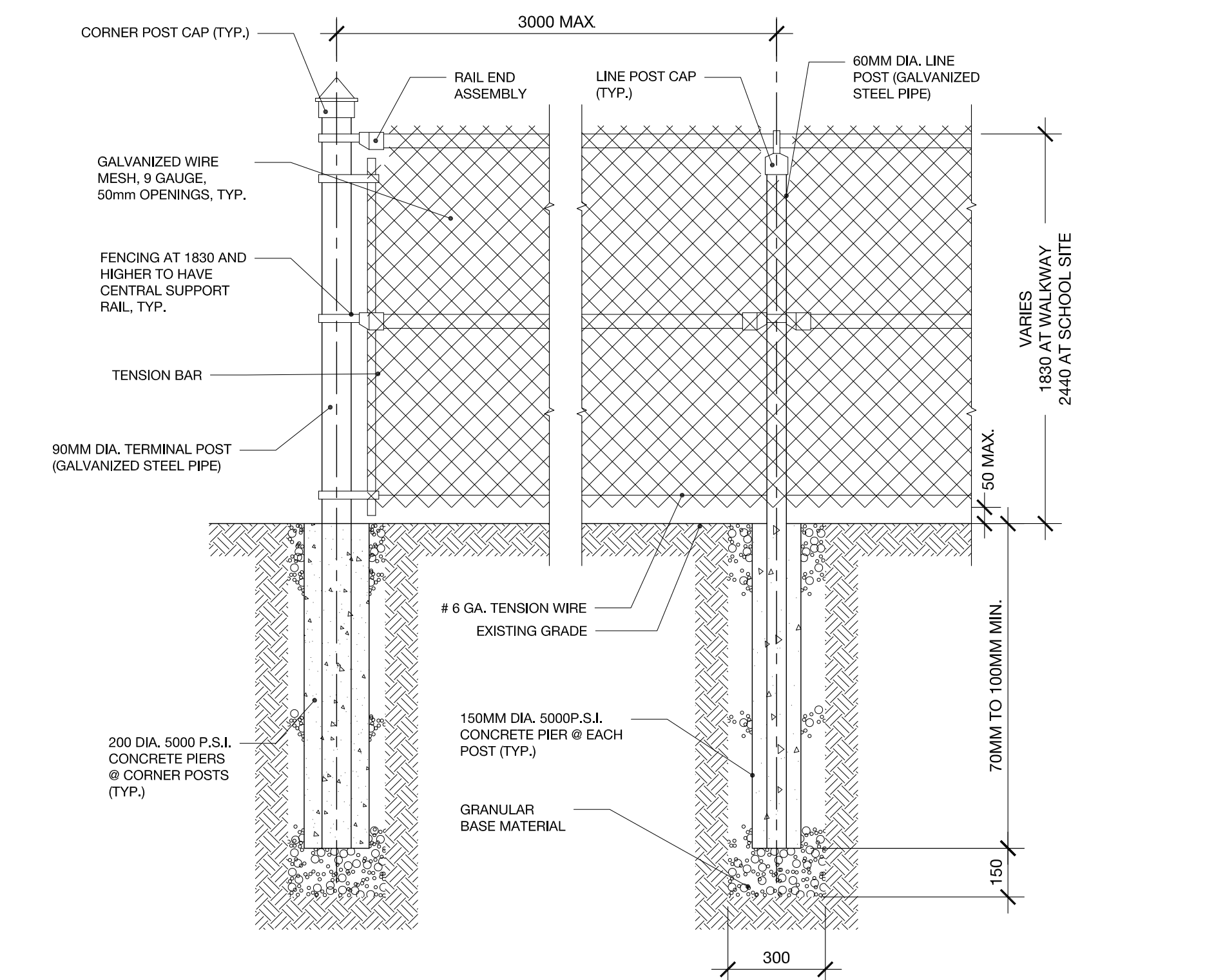


- NOTES:**
- All wood shall be western red cedar, selected for good appearance and free of wane and bark pockets. All torn grain and surface stain shall be eliminated by sanding or planing. Members with heavy knots and/or sap stain shall be well distributed throughout the installation. Any skirt rail or wood in contact with soil shall be pressure treated.
 - Infill shall be T & G select (sound) tight knot NLGA pattern 18-200 modified 54 mm 2 1/8" (dressed both sides) with bevelled edges on both sides.
 - Horizontal members shall be NLGA 204B or better select tight knot grade.
 - Posts shall be NLGA 1315B #1 grade structural timber.
 - All fittings and fasteners shall be galvanized and used in sufficient quantity to ensure a solid, durable construction.
 - For required wood density and other noise abatement requirements refer to Acoustic Report.
 - The Contractor shall provide fully detailed shop drawings for consultant review prior to start of fence construction.



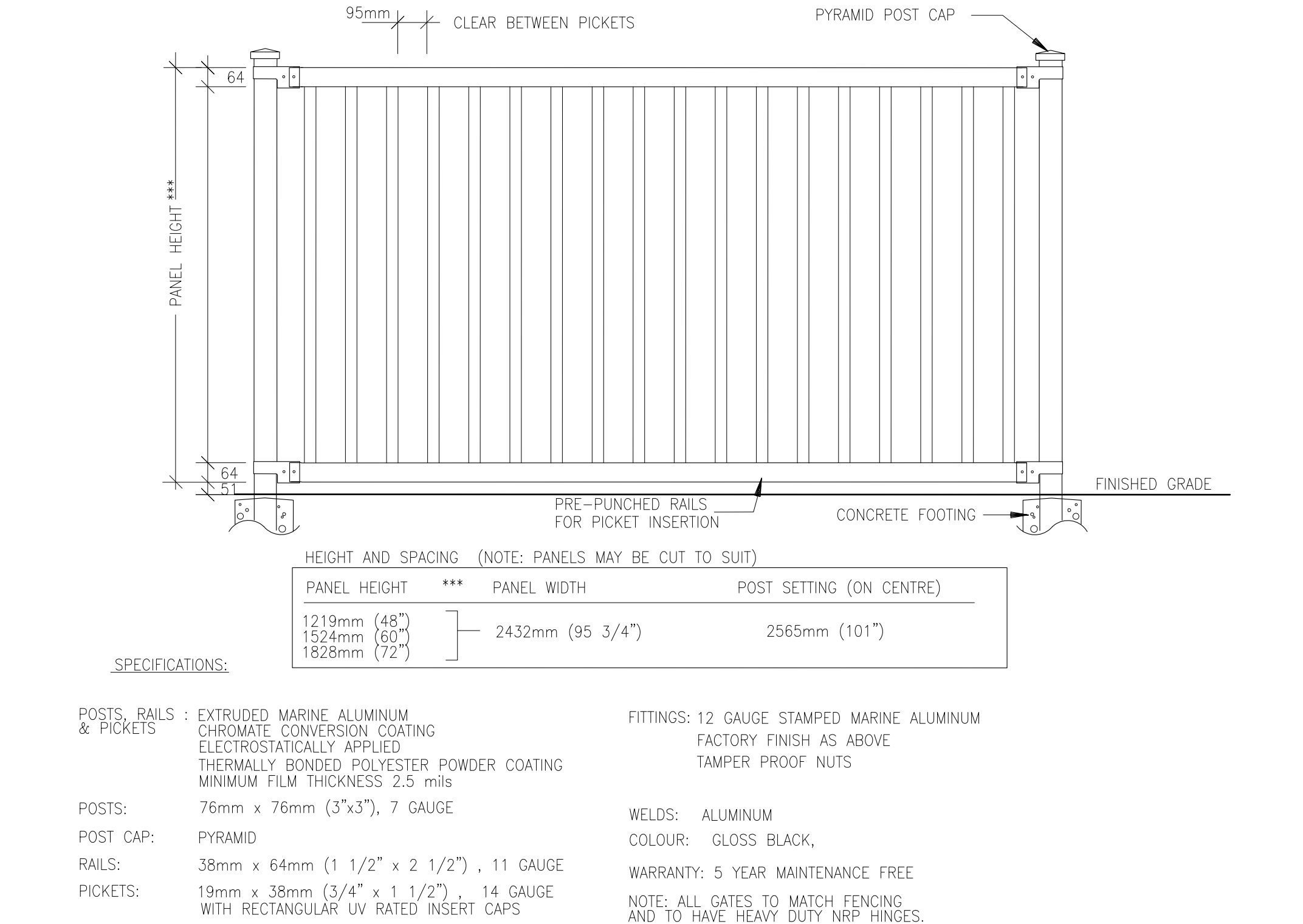
2 WOOD SCREEN FENCING
L3-2 1:20

1 WOOD ACOUSTIC FENCING
L3-2 NTS



NOTE THAT THE FENCE AT THE ADJACENT (EAST) SCHOOL SITE SHALL BE INSTALLED 150mm INSIDE THE SCHOOL PROPERTY LINE.
THE FENCE AT THE WALKWAY BLOCK SHALL BE INSTALLED 150mm INSIDE THE WALKWAY BLOCK PROPERTY LINE.

3 CHAIN LINK FENCING
L3-2 1:15



SPECIFICATIONS:

HEIGHT AND SPACING (NOTE: PANELS MAY BE CUT TO SUIT)	PANEL WIDTH	POST SETTING (ON CENTRE)
1219mm (48")	2432mm (95 3/4")	2565mm (101")
1524mm (60")		
1828mm (72")		

POSTS, RAILS & PICKETS: EXTRUDED MARINE ALUMINUM CHROMATE CONVERSION COATING ELECTROSTATICALLY APPLIED THERMALLY BONDED POLYESTER POWDER COATING MINIMUM FILM THICKNESS 2.5 MILS

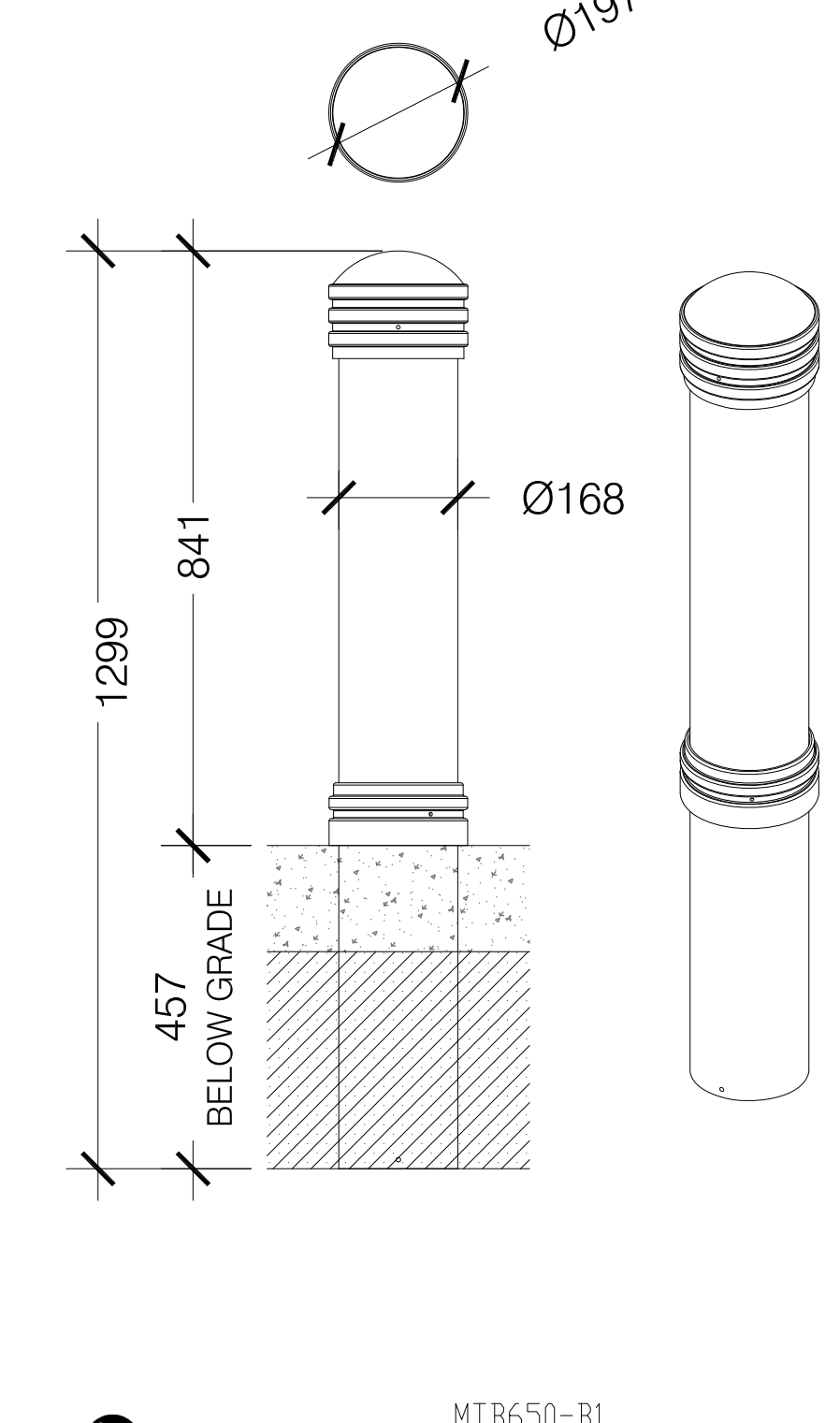
POSTS: 76mm x 76mm (3"x3"), 7 GAUGE
POST CAP: PYRAMID
RAILS: 38mm x 64mm (1 1/2" x 2 1/2"), 11 GAUGE
PICKETS: 19mm x 38mm (3/4" x 1 1/2"), 14 GAUGE WITH RECTANGULAR UV RATED INSERT CAPS

FITTINGS: 12 GAUGE STAMPED MARINE ALUMINUM FACTORY FINISH AS ABOVE TAMPER PROOF NUTS

WELDS: ALUMINUM
COLOUR: GLOSS BLACK,
WARRANTY: 5 YEAR MAINTENANCE FREE
NOTE: ALL GATES TO MATCH FENCING AND TO HAVE HEAVY DUTY NRP HINGES.

4 DECORATIVE METAL FENCING
L3-2 1:15

3 CHAIN LINK FENCING
L3-2 1:15



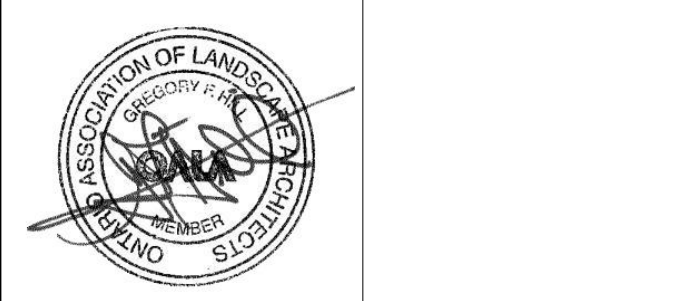
MAGLIN MTB650-B1 BOLLARD, BASE TYPE 1

5 BOLLARD
L3-2 1:10

- GENERAL NOTES**
- CONTRACTOR SHALL CHECK AND VERIFY ALL DIMENSIONS ON SITE AND REPORT ANY DISCREPANCIES, ERRORS AND/OR OMISSIONS TO THE LANDSCAPE ARCHITECT PRIOR TO COMMENCING WORK.
 - ALL UNDERGROUND UTILITIES TO BE LOCATED BY THE CONTRACTOR PRIOR TO THE COMMENCEMENT OF ANY WORK. THE LANDSCAPE ARCHITECT BARES NO RESPONSIBILITY FOR ANY UNKNOWN SUBSURFACE CONDITIONS.
 - CONTRACTOR TO COMPLETE LAYOUT TO APPROVAL OF LANDSCAPE ARCHITECT PRIOR TO ANY EXCAVATION.
 - ALL DISTURBED AREAS TO BE RESTORED TO ORIGINAL CONDITION OR BETTER UNLESS OTHERWISE SPECIFIED.
 - ALL WORK SHALL BE IN ACCORDANCE WITH THE ONTARIO BUILDING CODE AND ALL SUPPLEMENTS AND APPLICABLE MUNICIPAL REGULATIONS.
 - ALL WORK SHALL BE IN ACCORDANCE WITH THE GEOTECHNICAL INVESTIGATION PREPARED BY PATERSONGROUP MARCH 15, 2017.
 - THIS DRAWING IS TO BE READ IN CONJUNCTION WITH ALL OTHER PROJECT DRAWINGS AND SPECIFICATIONS.
 - ALL GENERAL SITE INFORMATION AND CONDITIONS HAVE BEEN COMPILED FROM EXISTING PLANS, SURVEYS, AERIAL PHOTOS, AND LANDSCAPE ARCHITECT'S FIELD NOTES. SURVEY AND TOPOGRAPHICAL INFORMATION HAS BEEN PROVIDED IN DIGITAL FORMAT FROM ANNIS O'SULLIVAN VOLLEBECK LTD DATED DECEMBER 2016.
 - THIS DRAWING IS AN INSTRUMENT OF SERVICE AND REQUIRES THE PERMISSION OF THE LANDSCAPE ARCHITECT FOR USE. COPYRIGHT IS RESERVED BY THE LANDSCAPE ARCHITECT THAT HAS STAMPED AND SIGNED THE DRAWINGS.
 - DRAWING MAY NOT BE USED FOR CONSTRUCTION UNTIL SIGNED BY THE LANDSCAPE ARCHITECT, AS ISSUED FOR CONSTRUCTION.
 - ALL DIMENSIONS IN MILLIMETERS UNLESS OTHERWISE NOTED.
 - DO NOT SCALE DRAWING.

11	PROPOSED TREES REMOVED AT NORTH EDGE	2018/10/30
10	REVISED AS PER CITY COMMENTS	2018/09/24
9	ISSUED FOR TENDER	2018/09/11
8	REVISED AS PER CITY COMMENTS	2018/09/05
7	ISSUED FOR BLDG/ D/E BUILDING PERMIT	2018/08/23
6	REVISED IN RESPONSE TO CITY COMMENTS	2018/05/08
5	SPA RESUBMISSION	2018/04/23
4	SPA RESUBMISSION	2018/01/26
3	FOR SITE PLAN SUBMISSION	2017/09/29
2	FOR SITE PLAN SUBMISSION	2017/08/21
1	FOR ZBLA SUBMISSION	2017/04/24

FOTENN



PROJECT / LOCATION / PROJET / ENDROIT

CANOE BAY
3071 RIVERSIDE DRIVE
OTTAWA, ONTARIO

DRAWING / DESSIN
LANDSCAPE DETAILS
2

DESIGNED BY / CONCEU PAR	E.P.	SHEET NO. / FEUILLE No.
DRAWN BY / DESINE PAR	R.P./L.L./K.Z.	L3-2
CHECKED BY / VERIFIE PAR	G.H.	
SCALE / ECHELLE	1:500	