



WSP  
300-2611 Queensview Drive  
Ottawa, Ontario K2B 6B7  
Canada  
T (613) 829-2800  
**wsp.com**

2026-03-13  
Reference: CA0063931.8278

Building Code Services  
City of Ottawa  
101 CentrepoinTE Drive  
Ottawa, ON  
K2G 5K7

## **Elmwood School Addition (261 Buena Vista Road)**

To whom it may concern:

The above referenced project will involve an addition to the existing Elmwood School building, as indicated in the accompanying Architectural site plan drawing. This building addition will be on the west and north sides of the building, which is in the south-east corner of the property bounded by Springfield Road to east and Buena Vista Road to the south, as indicated in the accompanying Architectural elevations drawing. Wall mounted light fixtures will be provided on the west and north sides of the building addition. These light fixtures will be selected to have zero uplight, similar to the attached spec sheet of the wallpack light fixture.

In addition, this project will result in some modifications to the parking lot area. These modifications will not involve the existing pole mounted light fixtures in the parking lot. These existing light fixtures are downlight fixtures, similar to the attached Dome Top light fixture, that have zero uplight. All the existing pole mounted light fixtures are located a sufficient distance away from the property lines to ensure any light spillage onto adjacent properties is less than the maximum allowable amount of 0.5 foot-candles. The locations of these pole mounted light fixtures are indicated by "LS" on the accompanying Architectural site plan drawing.

Should you have any questions or require further clarification on this matter, please contact the undersigned.

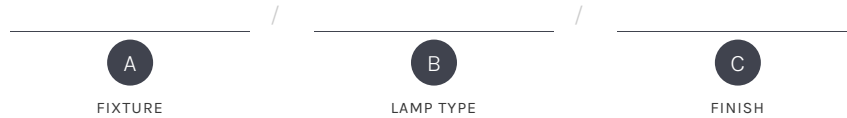
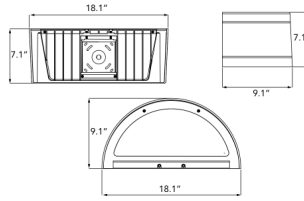
Sincerely,

Shawn Schwendemann, P.Eng.  
Senior Electrical Project Engineer

CC: Christopher Blackwell, Farrow Partners Inc.

Attachments: AWLH Wallpack light fixture spec sheet  
Rondella Dome Top pole mounted light fixture spec sheet

# AWLH - Wallpack Light



**Application:** Wallpack Light for commercial outdoor

**Material:** Heavy duty die-cast aluminum housing.

**Lamp Type:** Integral LED, 120-277V, 10,000LM Max, Field Adjustable Wattage & Kelvin, 70CRI  
LED80W: 30W(3750lm)/60W(7500lm)/80W(10000lm), 30K/40K/50K

**Dimensions:** L: 18.1 inch, H:7.1 inch, W: 9.1 inch

**Mounting:** Wall-mount

**Finish:** Bronze Powder Coat

**Listing:** cULus for wet locations

A Fixture		B Lamp Type		Code	Name
AWLH - Wallpack Light:				BZ	Bronze
Code	Name	Code	Name		
AWLH-LED80W-BZ	AWLH - Wallpack Light	LED80W	30/60/80W, 30K/40K/50K		
		C Finish			

# RONDELLA

## ROND 2 - Dome Top



PROJECT

DATE

COMMENTS

### STANDARD FEATURES

- Two Piece Heavy Gauge Spun Aluminum Domed Housing
- High Performance Optical System



SERIES	MODEL	SIZE	LAMP	LUMENS	CCT CRI 80	VOLT	CONTROL	COLOR	BEAM ANGLE	MOUNTING	OPTIONS
ROND2	1690	L = 20" Diameter	LED	10000 to 65000	K27 = 2700K K3 = 3000K K35 = 3500K K4 = 4000K K5 = 5000K	120-277V UNV	DD = 0-10V DIMMING DRIVER	TAL = Textured Aluminum TBK = Textured Black TBZ = Textured Bronze TWH = Textured White CC = Custom Color RAL = RAL Color	60 = 60° Angle 90 = 90° Angle 120 = 120° Angle	WM = Wall Mount PAM = Pole Arm Mount PAM2/180 = 2 Arms at 180° PAM2/90 = 2 Arms at 90° PAM3/120 = 3 Arms at 120° PAM4/90 = 4 Arms at 90°	MS = Motion Sensor PE1 = Photocell 120V PE2 = Photocell 277V


### ORDERING INFORMATION

SERIES	MODEL	SIZE	LAMP	LUMENS	CCT CRI 80	VOLT	CONTROL	COLOR	BEAM ANGLE	MOUNTING	OPTIONS

ORDERING EXAMPLE: ROND2 - 1690 - L - LED - 22500 - K4 - 120/277 - DD - TWH - 90 - PAM - PE1

Consult factory for voltage and other lamp options. Product specifications subject to change without notice.

1. Programmable drivers at the PACE factory
2. Color tunable
3. Capable of remote dimming
4. Can be equipped with motion sensors for on/off functioning
5. Can be equipped with light sensors for dusk-to-dawn automatic on/off operation
6. Bluetooth commissioning sensor capability for Android and iOS

 PACE Illumination 5500 West 111<sup>th</sup> Street | Oak Lawn, Illinois 60453 | 708-499-1700 | quotes@paceillumination.com

Although PACE has prepared the information contained in this document with all due care, PACE does not warrant or represent that the information is free from errors or omission. Whilst the information is considered to be true and correct at the date of publication, changes in circumstances after the time of publication may impact on the accuracy of the information. The information may change without notice and PACE is not in any way liable for the accuracy of any information printed and stored or in any way interpreted or used.

In the interest of product improvement, Pace reserves the right to make technical and product specification changes without notice. Consult factory for voltage and other lamp options.

REV DATE:  
11-03-2025

# RONDELLA

## ROND 2 - Dome Top



### SIZES

- Small = 17" diameter
- Medium = 22" diameter

### MOUNTING

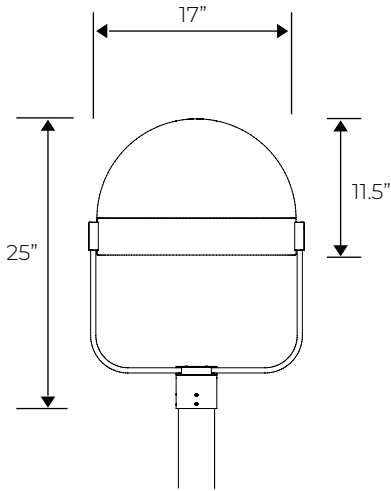
- Yoke mount, Wall mount
- See technical data sheets for details

### COLOR

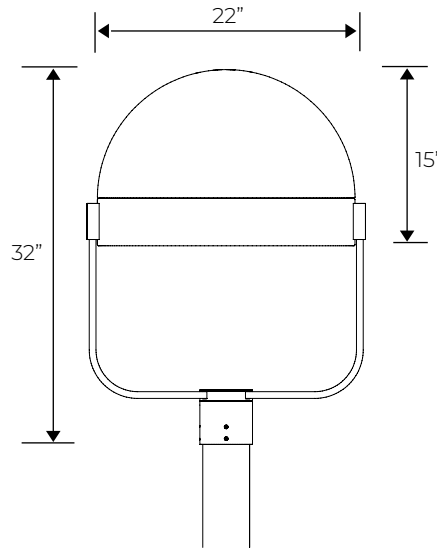
- Textured or smooth polyester powder coat finishes
- RAL colors available

### DIMENSIONS

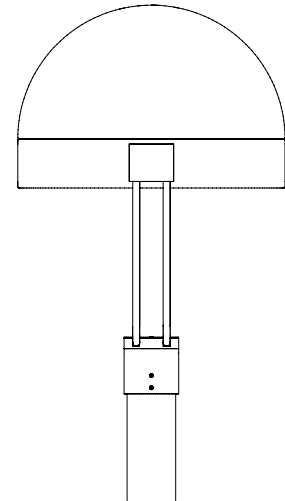
Small / EPA = 0.8



Medium / EPA = 11

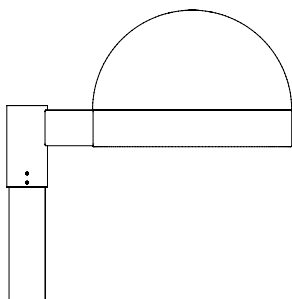


Yoke Mount Side View



### MOUNTING CONFIGURATIONS

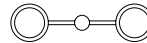
Side View PAM



Standard Yoke Mount



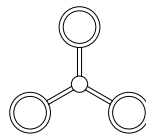
**PAM**  
Pole Arm Mount



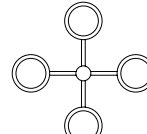
**PAM2/180**  
2 Arms at 180°



**PAM2/90**  
2 Arms at 90°



**PAM3/120**  
3 Arms at 120°



**PAM4/90**  
4 Arms at 90°

