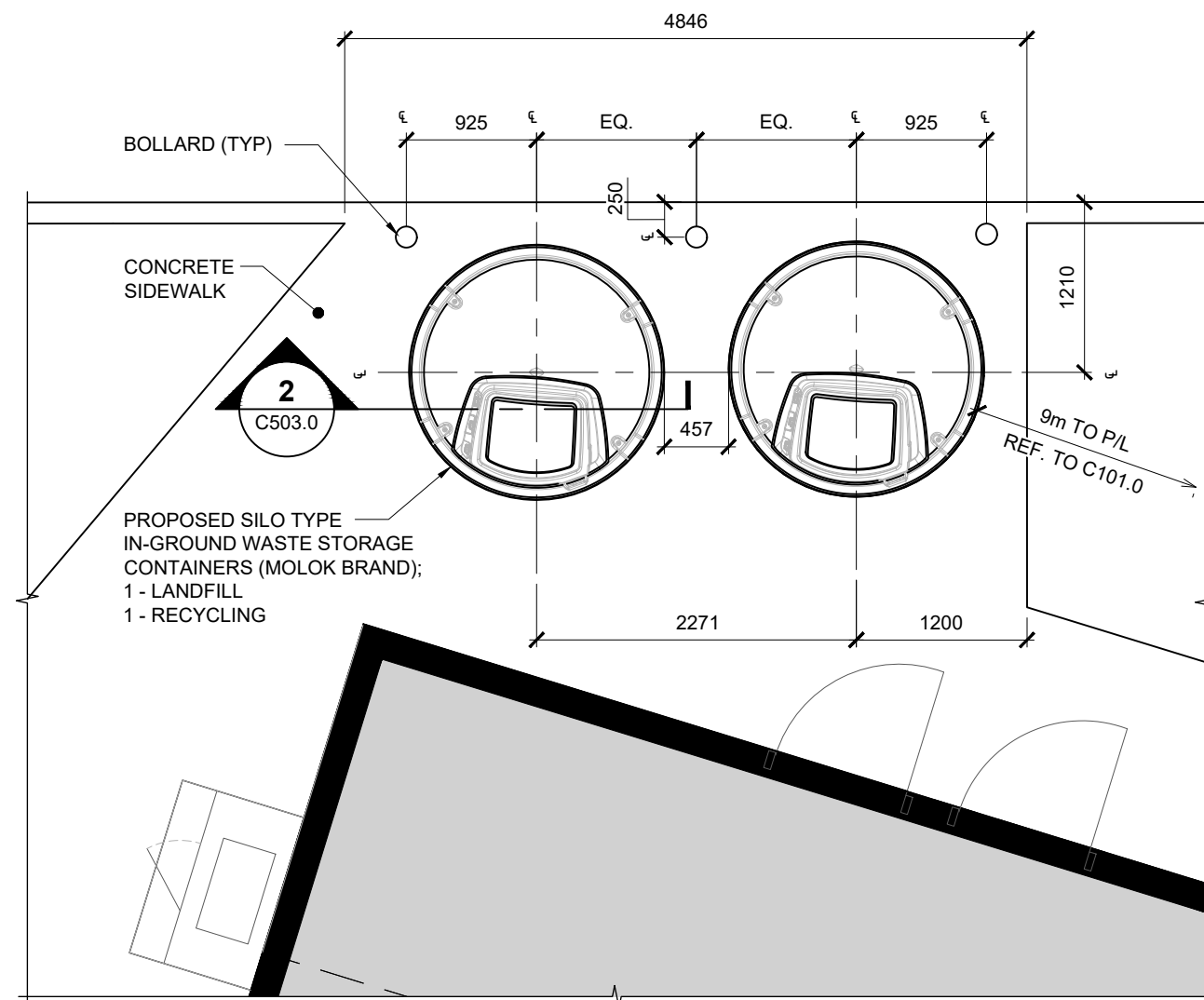
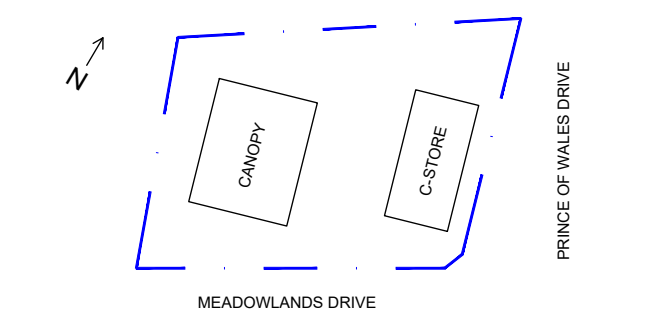


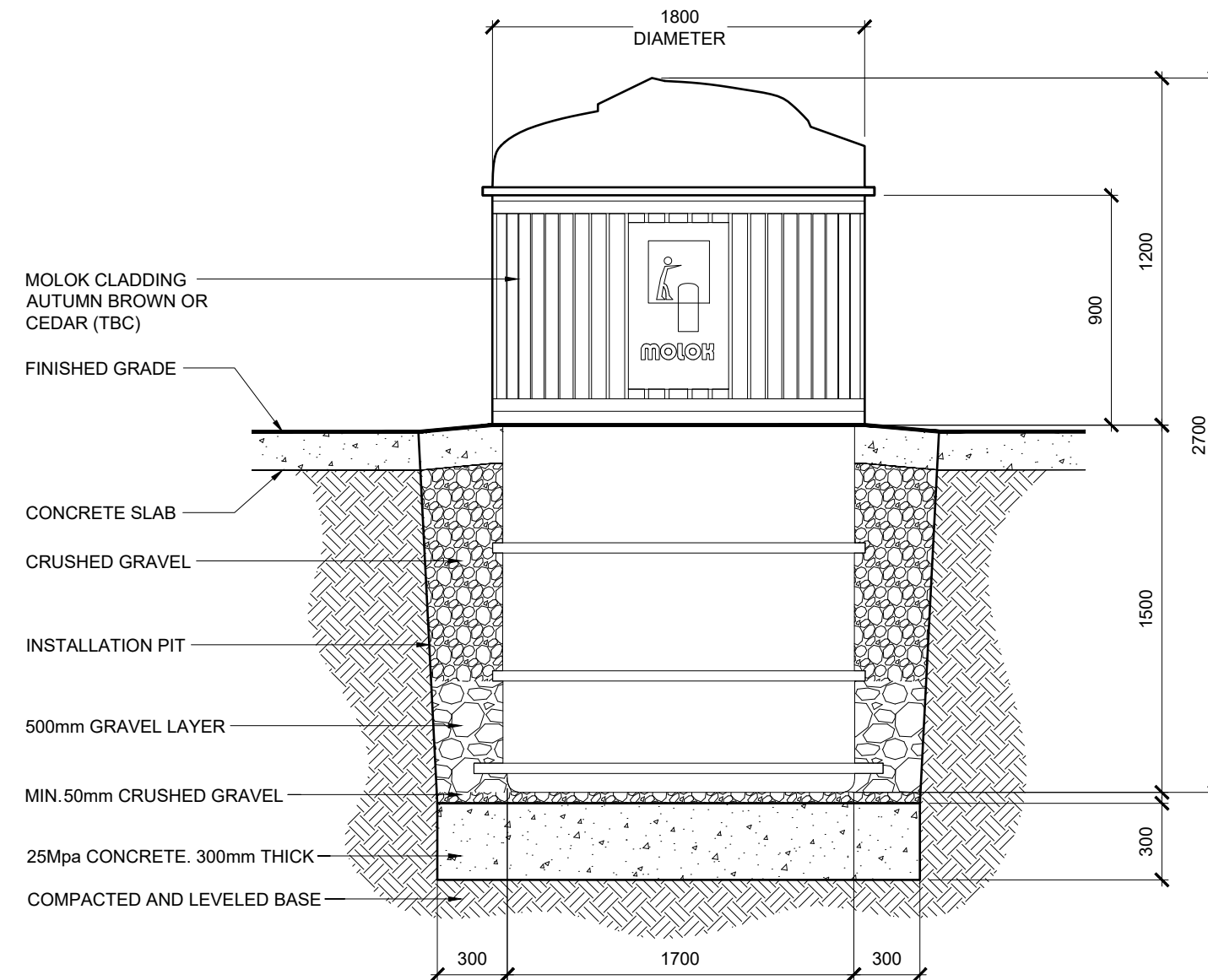
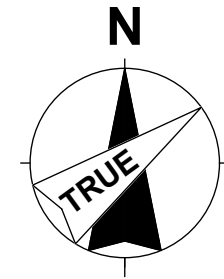


NO.	DATE	DESCRIPTION
B	2024-12-06	ISSUED FOR SPA PHASE 3 REVIEW
A	2024-11-27	ISSUED FOR CLIENT REVIEW (SPC COMMENTS)
I/R	DATE	DESCRIPTION



1 MOLOK ENLARGED PLAN

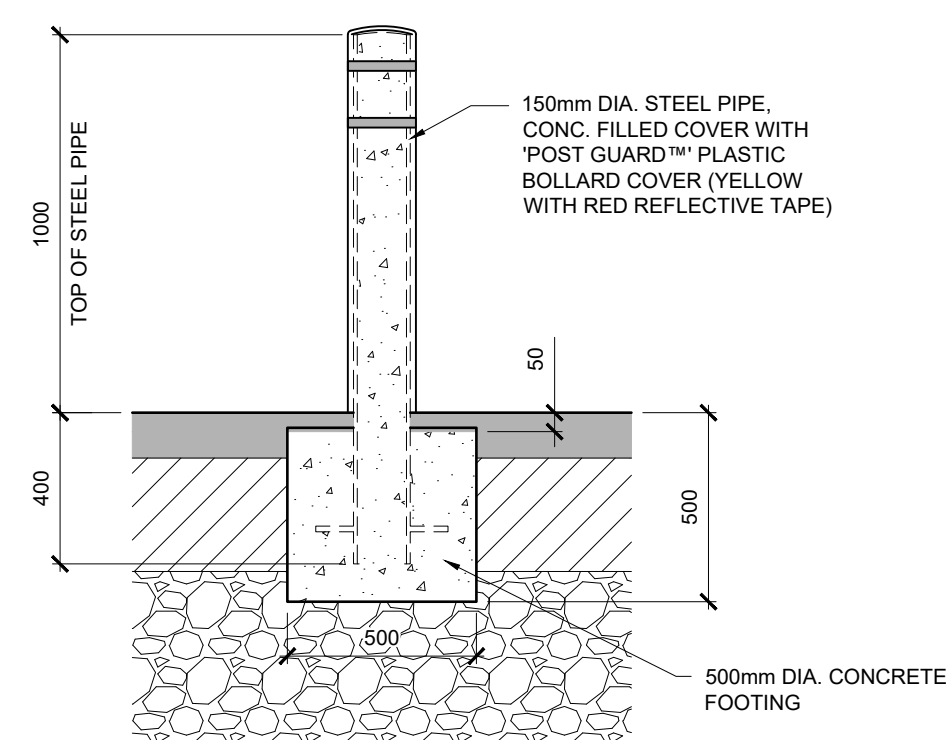
C503.0 SCALE: 1:50



2 MOLOK SECTION VIEW

C503.0 SCALE: 1:25

TYPICAL DETAIL CREATED BY MANUFACTURER AND PROVIDED FOR REFERENCE ONLY. TO BE ADAPTED TO SITE-SPECIFIC REQUIREMENTS. PROFESSIONAL STAMP AND SEAL DOES NOT EXTEND TO THE CONTENT OF THIS DETAIL.



3 BOLLARD DETAIL

C503.0 SCALE: 1:20



4 MOLOK EXAMPLE IMAGE

C503.0 SCALE: NTS

This drawing has been prepared for the use of AECOM's client and may not be used, reproduced or relied upon by third parties, except as signed by AECOM and its client, as required by law or for use by governmental reviewing agencies. AECOM accepts no responsibility, and denies any liability whatsoever, to any party that modifies this drawing without AECOM's express written consent. Do not scale this document. All measurements must be obtained from stated dimension.