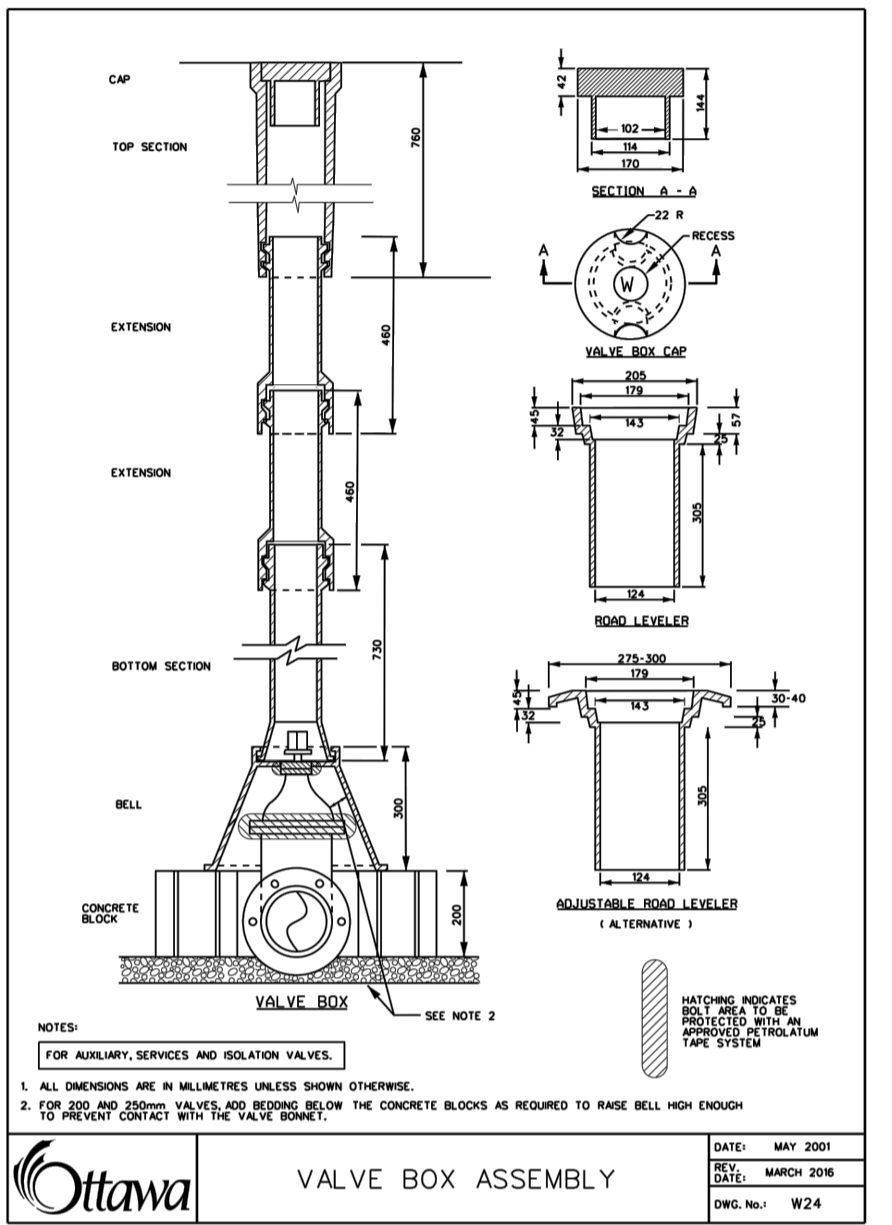
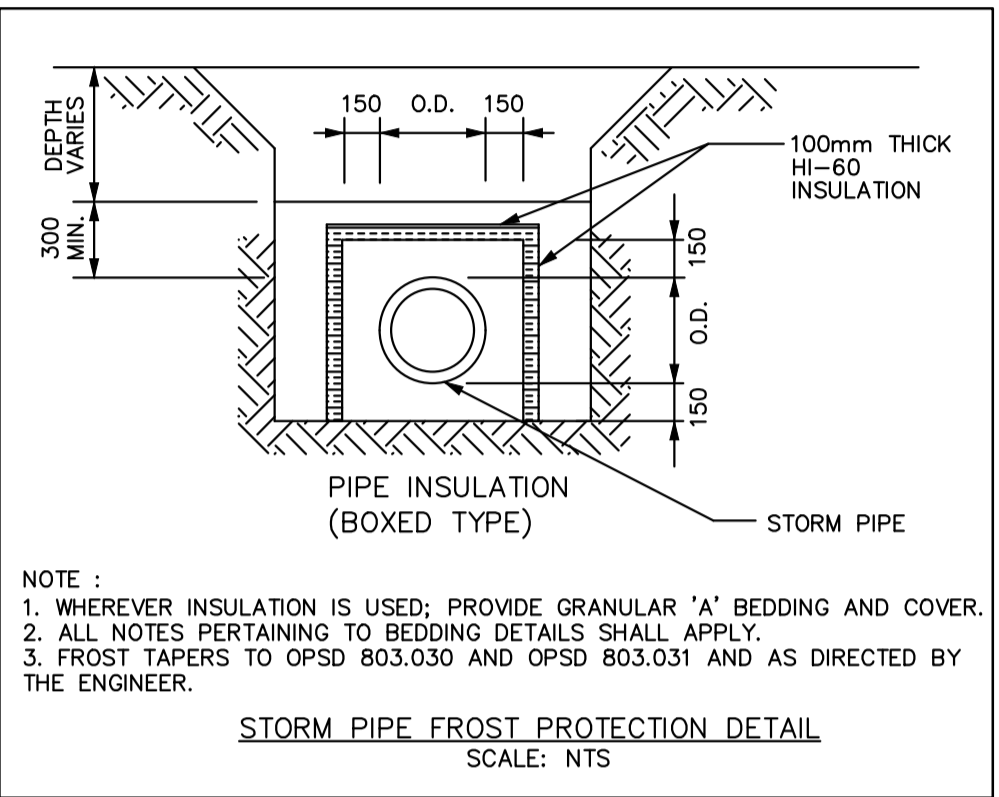
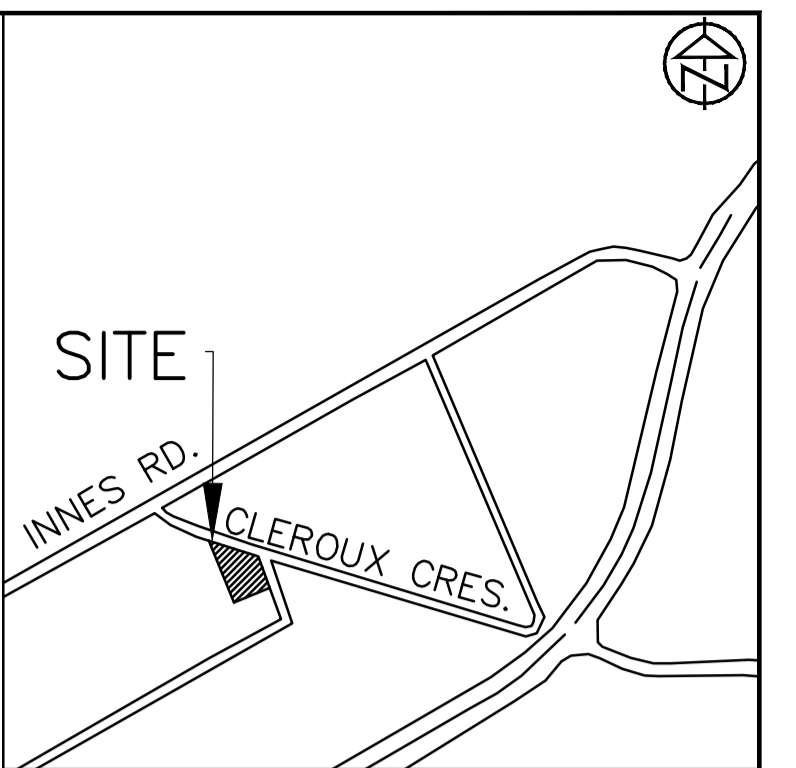


MANHOLE TABLE		
STORM		
MH Number	Size	Cover
CB1	600x600mm	S19
CBMH2	1200mm	S28.1
CBMH3	1200mm	S28.1
DICBMH4	1200mm	OPSD 403.010
CBMH5	600mmX600mm	S28.1
CB6	600mmX600mm	S19
CB7	600mmX600mm	S19
SANITARY		
MH Number	Size	Cover
SANMH1	1200mm	S24
SANMH2	1200mm	S24



NOTE:
 1. WHEREVER INSULATION IS USED, PROVIDE GRANULAR 'A' BEDDING AND COVER.
 2. ALL NOTES PERTAINING TO BEDDING DETAILS SHALL APPLY.
 3. FROST TAPERS TO OPSD 803.030 AND OPSD 803.031 AND AS DIRECTED BY THE ENGINEER.

NOTES:
 1. ALL DIMENSIONS ARE IN MILLIMETRES UNLESS SHOWN OTHERWISE.
 2. TOP SURFACE OF CONCRETE VALVE BOX SHALL BE BELOW THE CONCRETE BLOCKS AS REQUIRED TO MAKE BELL HIGH ENOUGH.

DATE: MAY 2021
 DATE: MARCH 2016
 DRC No: W24

DISCLAIMER AND COPYRIGHT
 CONTRACTOR MUST VERIFY ALL DIMENSIONS AND BE RESPONSIBLE FOR SAME. ANY DISCREPANCIES MUST BE REPORTED TO THE ENGINEER BEFORE COMMENCING WORK. DRAWINGS ARE NOT TO BE SCALED.
 TATHAM ENGINEERING LIMITED CLAIMS COPYRIGHT TO THIS DRAWING WHICH MAY NOT BE USED FOR ANY PURPOSE OTHER THAN THAT PROVIDED IN THE CONTRACT BETWEEN THE OWNER/CLIENT AND THE ENGINEER WITHOUT THE EXPRESS CONSENT OF TATHAM ENGINEERING LIMITED.

TOPOGRAPHIC SURVEY WAS COMPLETED BY STANTEC CONSULTING DATED JULY 19, 2016. ELEVATIONS SHOWN HEREON ARE GEODETIC (CGVD-1928/1978) AND ARE DERIVED FROM NCC VERTICAL CONTROL MONUMENT No.217 HAVING AN ELEVATION OF 85.00.
IBM: TOP OF SPINDLE OF FIRE HYDRANT LOCATED ON THE SITE NORTH ENTRANCE. ELEVATION=84.14m.

No.	REVISION DESCRIPTION	DATE	ENGINEER STAMP
1.	ISSUED FOR SPA	JAN 2023	
2.	RE-ISSUED FOR SPA	MAR 2023	
3.	RE-ISSUED FOR SPA	JUN 2023	

ENGINEER STAMP

BRIDOR DEVELOPMENTS
2380 & 2396 CLÉROUX CRESCENT
CITY OF OTTAWA

SITE SERVICING PLAN

TATHAM ENGINEERING

DESIGN: HY FILE: 523650 DWG: **C300**
 DRAWN: HY DATE: JAN 2023
 CHECK: GC SCALE: 1:300