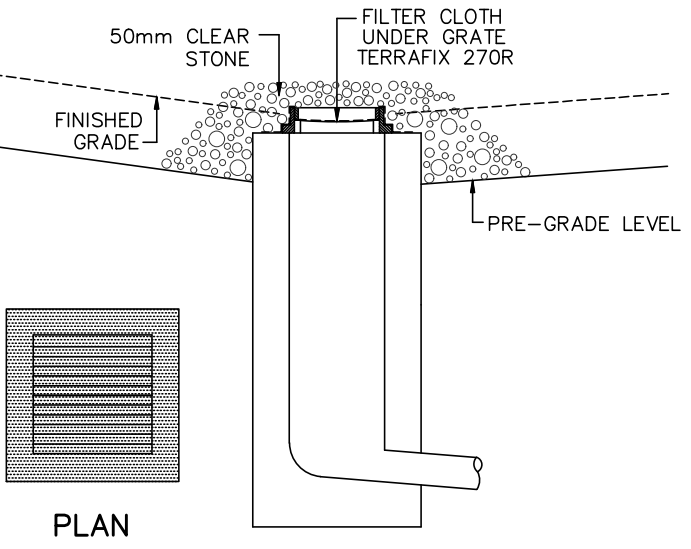


DETAIL FOR STREET CB SILT PROTECTION
SCALE: NTS



DETAIL FOR RLCB/DICB SILT PROTECTION
SCALE: NTS

FILTER CLOTH (INSERT) TO REMAIN ON OPEN SURFACE STRUCTURES SUCH AS MANHOLES AND CATCHBASINS UNTIL THESE STRUCTURES ARE COMMISSIONED AND PUT INTO USE. STREETS ARE ASPHALTED AND CURBED, AND THE SURROUNDING LANDSCAPE IS STABILIZED.

BULKHEAD BARRIERS TO BE INSTALLED OVER THE LOWER HALF OF THE OUTLETTING SEWERS (WHERE REQUIRED) TO REDUCE SEDIMENT LOADINGS DURING CONSTRUCTION.

EROSION AND SEDIMENT CONTROL NOTES:

PRIOR TO TOPSOIL STRIPPING, EARTHWORKS, OR UNDERGROUND CONSTRUCTION, EROSION AND SEDIMENT CONTROLS SHALL BE IMPLEMENTED TO THE SATISFACTION OF THE AUTHORITY HAVING JURISDICTION.

SEDIMENT CONTROL FENCE SHALL BE CLEANED AND MAINTAINED IN GOOD REPAIR BY CONTRACTOR.

SEDIMENT CONTROL FENCE TO REMAIN IN PLACE UNTIL THE WORKING AREA HAS BEEN STABILIZED AND REVEGETATED.

ACCUMULATED SEDIMENT TO BE REMOVED OFF SITE PRIOR TO THE REMOVAL OF SEDIMENT CONTROL FENCE.

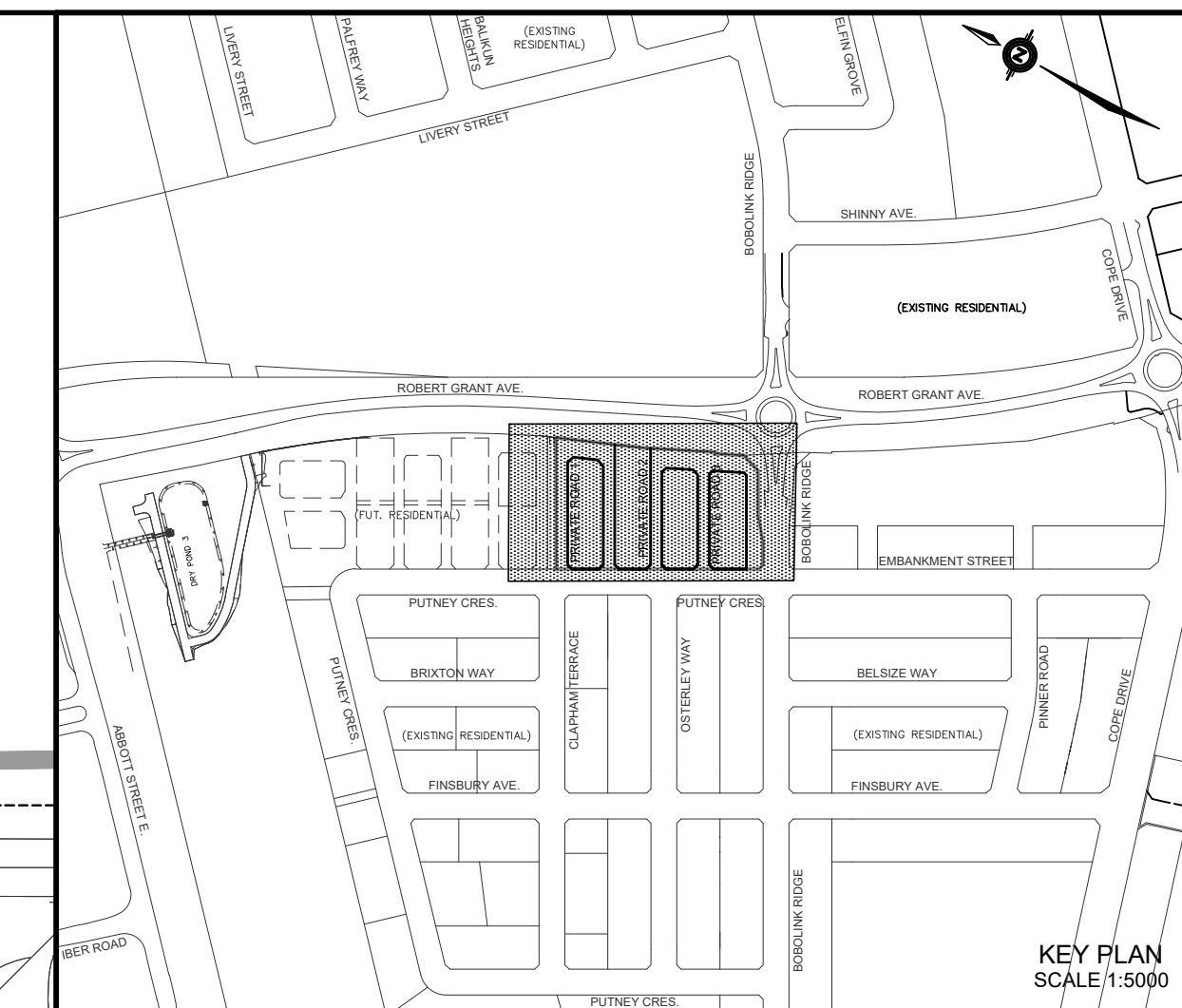
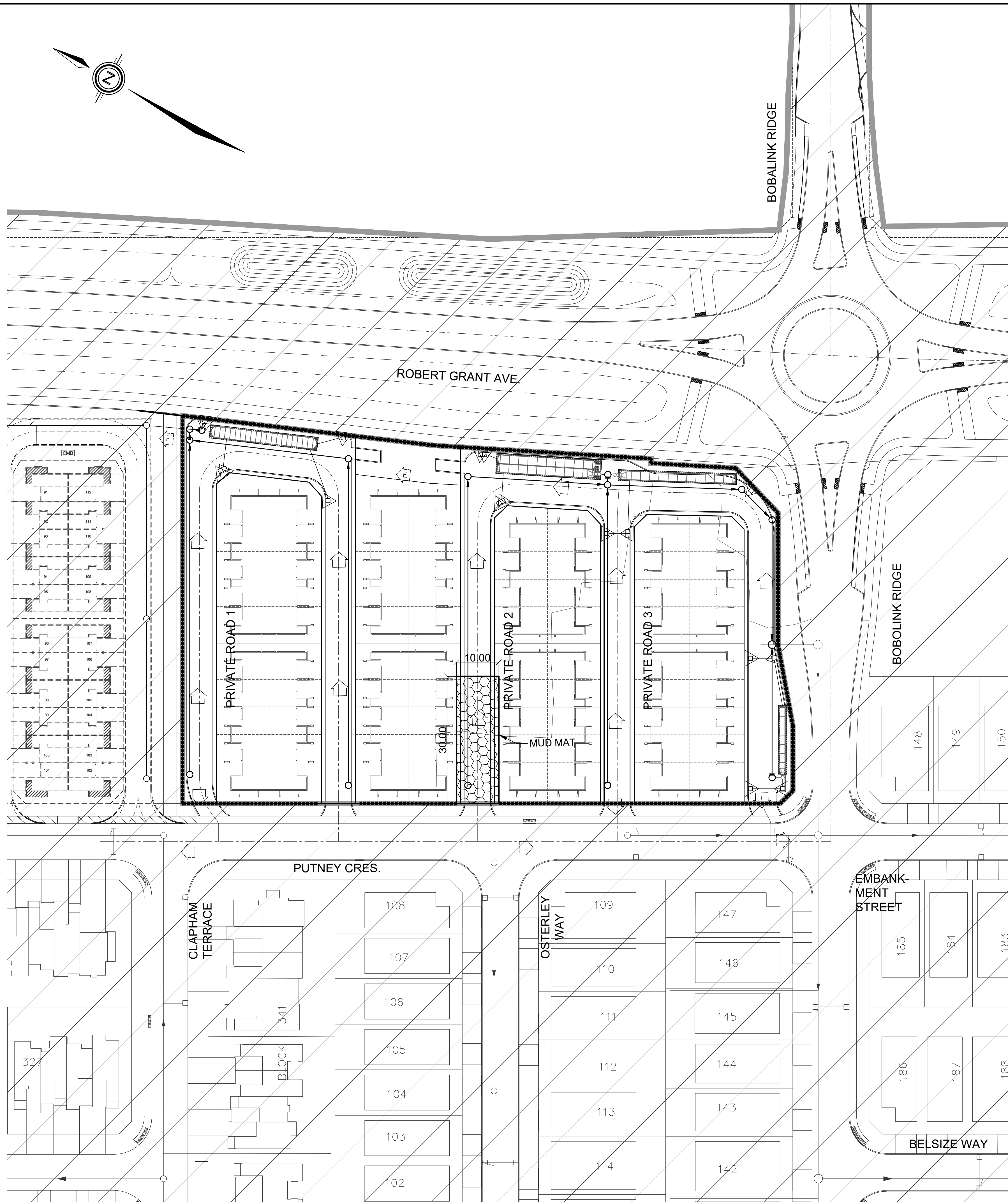
EROSION AND SEDIMENT CONTROL MEASURES MAY BE MODIFIED IN THE FIELD AT THE DISCRETION OF THE CITY OF OTTAWA SITE INSPECTOR OR CONSERVATION AUTHORITY PERSONNEL.

CONTRACTOR MUST USE BEST MANAGEMENT PRACTICES (BMPs) FOR EROSION AND SEDIMENT CONTROL.

THE SILTATION CONTROL PLAN IS INTENDED TO ASSIST THE CONTRACTOR IN THE LAYOUT AND CONSTRUCTION OF THE SILTATION CONTROL FEATURES ONLY. THIS DRAWING SHALL NOT BE USED FOR CONSTRUCTION OF SITE SERVICES.

MONITORING OF SEDIMENT AND EROSION CONTROLS
MONITORING AND REPORTING TO BE COMPLETED IN ACCORDANCE WITH THE MINISTRY OF THE ENVIRONMENT AND CLIMATE CHANGE (MOECC) AND RIDEAU VALLEY CONSERVATION AUTHORITY (RVCA) APPROVALS.

MAINTENANCE PROGRAM
ALL DAMAGED ESC MEASURES SHOULD BE REPAIRED AND/OR REPLACEMENT WITHIN 48 HOURS OF THE INSPECTION.
THE ENVIRONMENTAL MONITOR IS REQUIRED TO SUBMIT UPDATES TO THE TOWN/REGION/ CONSERVATION AUTHORITY BY EMAIL IN A TIMELY MANNER.
SEDIMENT SHOULD BE REMOVED FROM THE SEDIMENT CONTROL FENCING ONCE SEDIMENT HAS ACCUMULATED TO A LEVEL OF ONE-THIRD THE HEIGHT OF FENCING OR TO A HEIGHT OF 30 cm. ANY AMOUNT OF ACCUMULATED SEDIMENT SHOULD BE REMOVED PRIOR TO THE REMOVAL OF THE CONTROL MEASURES.



LEGEND

- PROPOSED SILT FENCE
- PROPOSED SNOW FENCE
- PROPOSED ROCK FLOW CHECK DAM
- PROPOSED STRAW BALE BARRIER
- PROPOSED STRAW BALE BARRIER WITH FILTER CLOTH
- FILTER CLOTH FOR EXISTING STRUCTURE
- PROPOSED RIP RAP TREATMENT
- DITCH AND CULVERT
- MAJOR OVERLAND FLOW DIRECTION

NOT FOR CONSTRUCTION

| | | | |
|-----|--------|----------|----------------|
| 1 | S.L.M. | 22-01-13 | 1st SUBMISSION |
| No. | BY | DATE | DESCRIPTION |

TOPOGRAPHIC INFORMATION
TOPOGRAPHIC INFORMATION PROVIDED BY ANNIS, O'SULLIVAN, VOLLEBEKK LTD. PROJECT No. 22111-21. RECEIVED JUNE 24, 2021.

LEGAL INFORMATION
CALCULATED M-PLAN PROVIDED BY ANNIS, O'SULLIVAN, VOLLEBEKK LTD., PROJECT No. 22111-21. RECEIVED DECEMBER 13, 2021.

BENCH MARK
SITE BENCHMARK #1, FIRE HYDRANT TOP OF SPINDLE
ELEVATION = 109.78m
SITE BENCHMARK #2, CP IN ASPHALT
ELEVATION = 109.09

TAMARACK HOMES **BOBALINK RIDGE BLOCK 343**

DSEL
120 Iber Road Unit 103
Stittsville, Ontario, K2S 1E9
Tel. (613) 836-0856
Fax. (613) 836-7183
www.DSEL.ca

Ottawa
110 Laurier Ave W
Ottawa, Ontario, K1P 1J1
Tel. (613) 580-2400
www.Ottawa.ca

EROSION AND SEDIMENT CONTROL PLAN STAGE 2

| | | |
|---------------------|--------------------|---------------------|
| DRAWN BY: G.G.G. | CHECKED BY: S.L.M. | PROJECT No. 21-1261 |
| DESIGNED BY: G.G.G. | CHECKED BY: S.L.M. | SHEET No. 18 |
| SCALE: 1:500 | HORIZ. 1:500 | |

CITY PLAN No. XXXXX
CITY FILE No. D07-XX-XX-XXXX