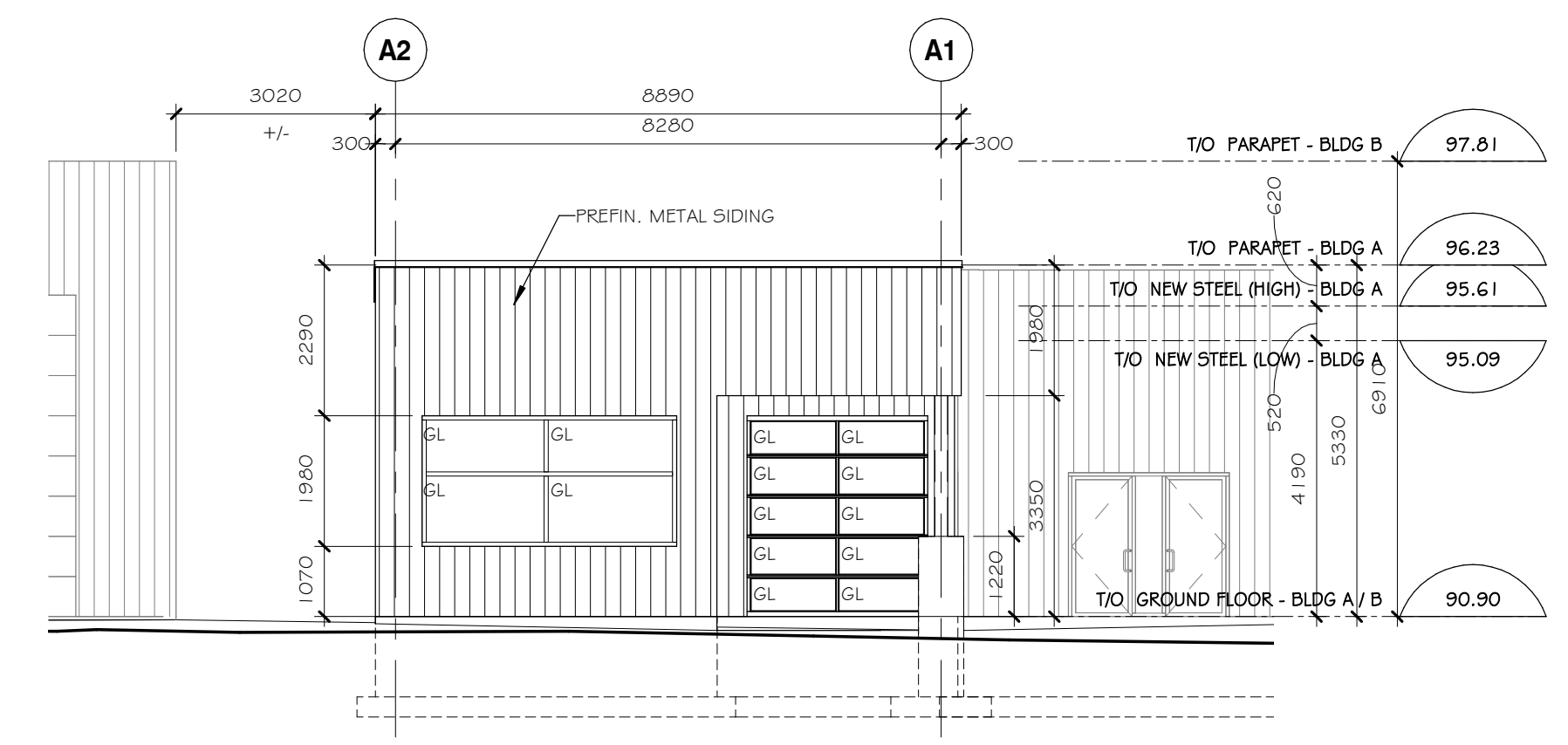


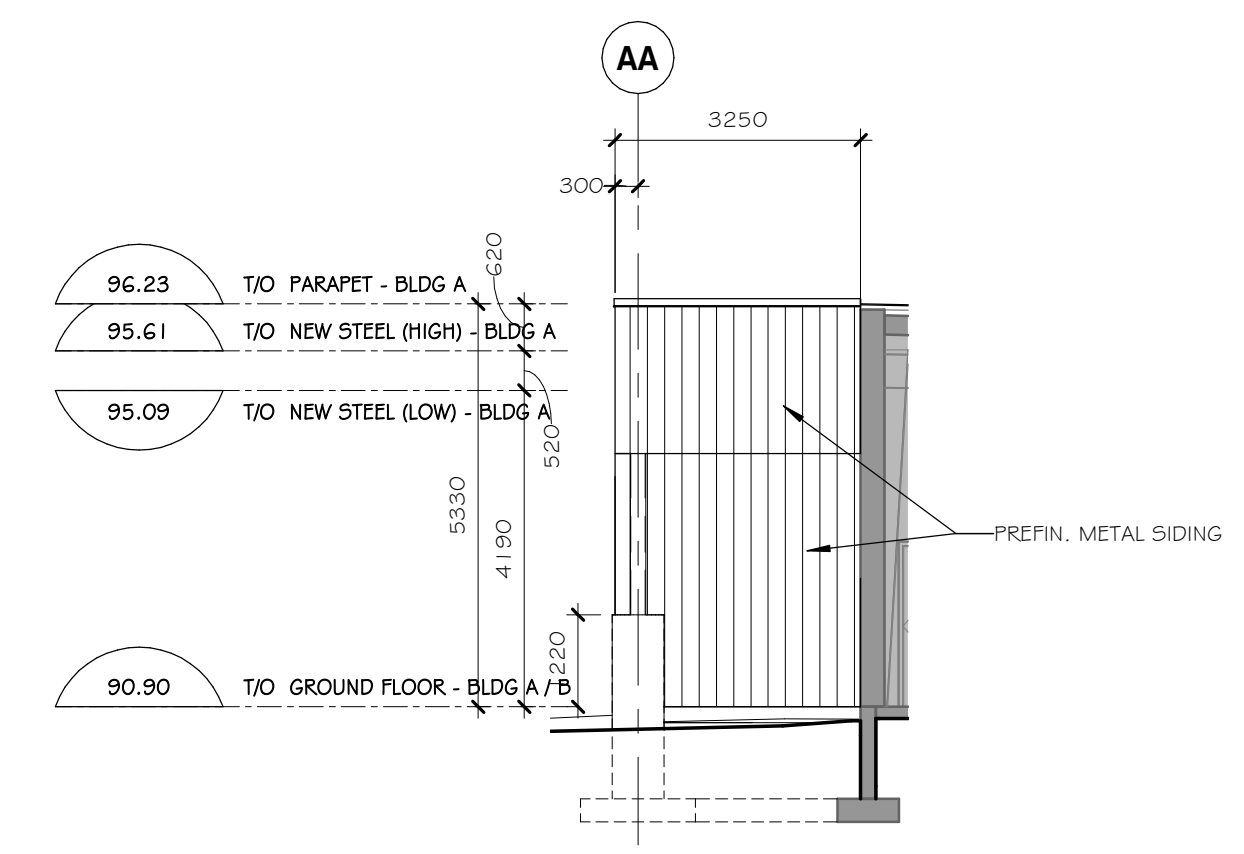
Colette Gorni

COLETTE GORNI
PLANNER I
PLANNING, INFRASTRUCTURE & ECONOMIC
DEVELOPMENT DEPARTMENT, CITY OF OTTAWA

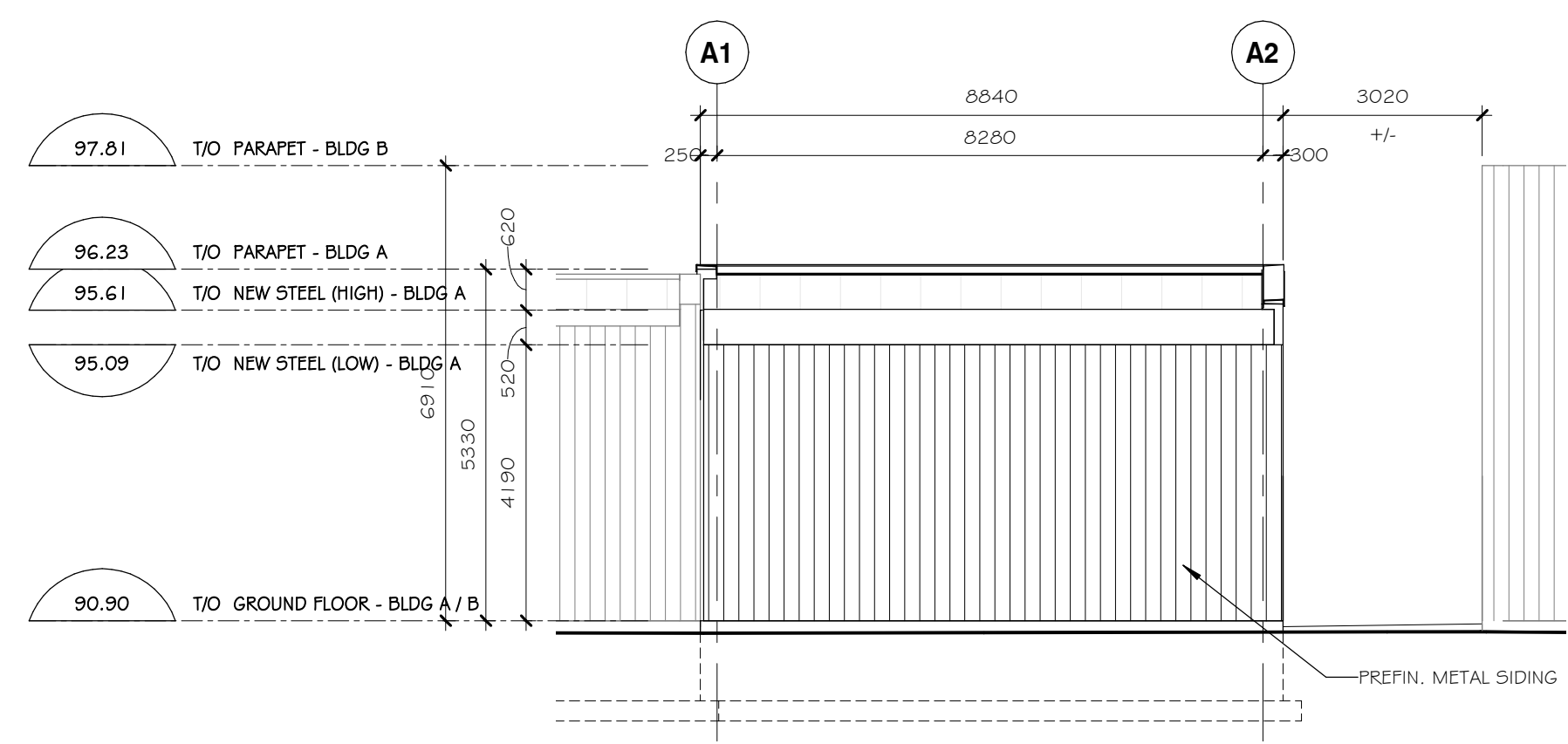
APPROVED
 By Colette Gorni at 1:35 pm, Sep 29, 2020



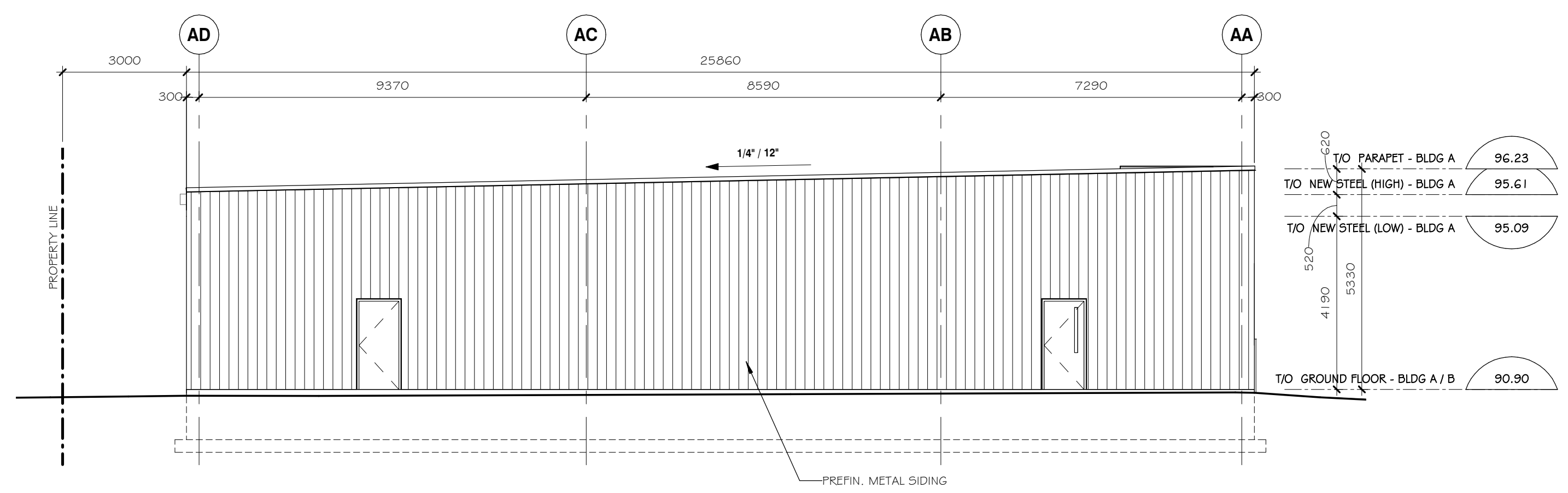
2 NORTH ELEVATION - BUILDING A
 SCALE: 1 : 100



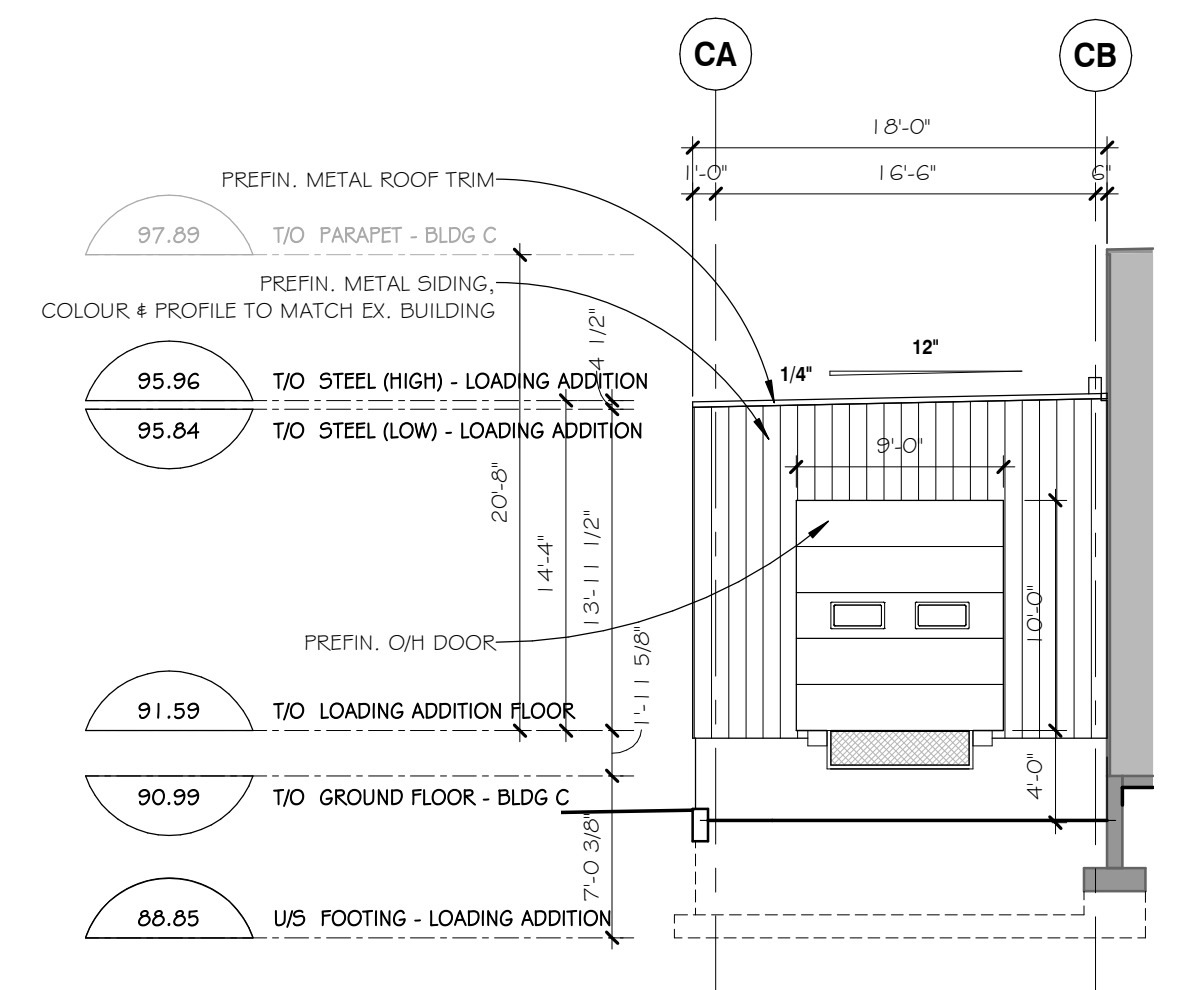
1 WEST ELEVATION - BUILDING A
 SCALE: 1 : 100



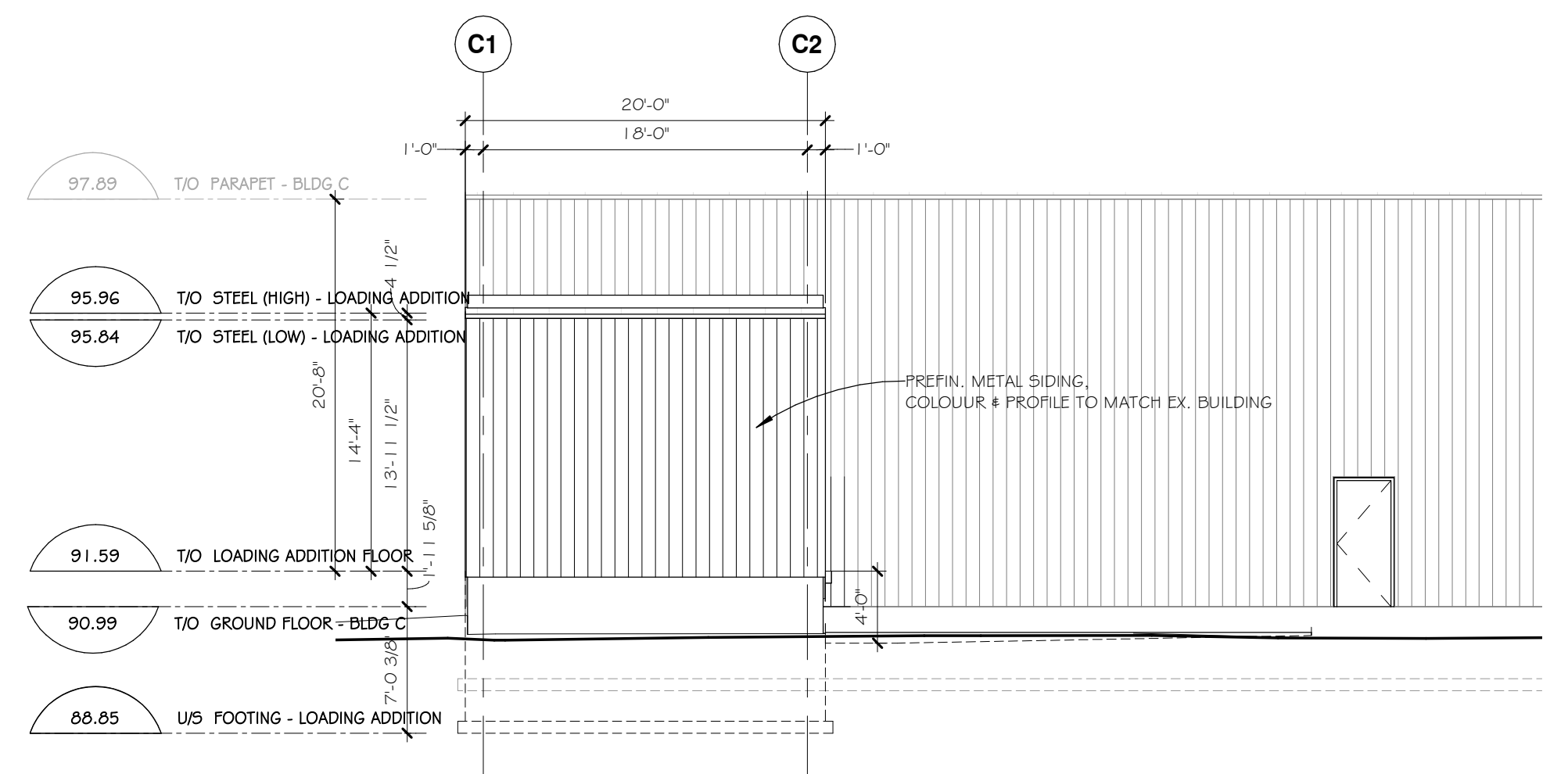
4 SOUTH ELEVATION - BUILDING A
 SCALE: 1 : 100



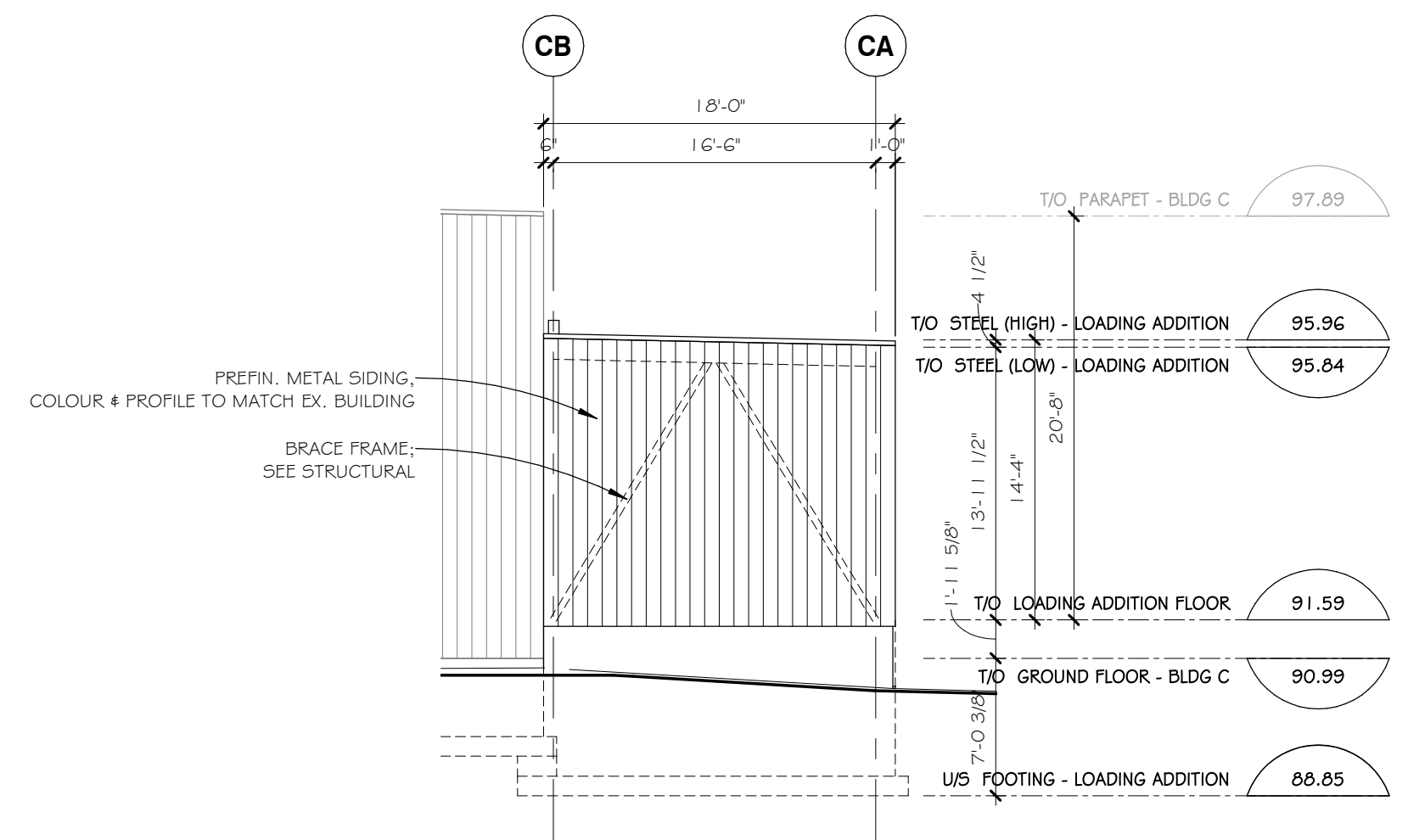
3 EAST ELEVATION - BUILDING A
 SCALE: 1 : 100



5 EAST ELEVATION - LOADING ADDITION
 SCALE: 1 : 100



6 SOUTH ELEVATION - LOADING ADDITION
 SCALE: 1 : 100



7 WEST ELEVATION - LOADING ADDITION
 SCALE: 1 : 100

REVISIONS		
No.	DATE	DESCRIPTION
0	25 Sep 2020	Issued for Final Site Plan Approval

IT IS THE RESPONSIBILITY OF THE APPROPRIATE CONTRACTOR TO CHECK AND VERIFY ALL DIMENSIONS ON SITE AND REPORT ALL ERRORS AND / OR OMISSIONS TO THE ARCHITECT. ALL CONTRACTORS MUST COMPLY WITH ALL PERTINENT CODES AND BY-LAWS. DO NOT SCALE DRAWINGS. THIS DRAWING MAY NOT BE USED FOR CONSTRUCTION UNTIL SIGNED BY THE ARCHITECT. COPYRIGHT RESERVED. THIS DRAWING IS EXCLUSIVE PROPERTY OF KWC ARCHITECTS INC. AND SHALL NOT BE USED WITHOUT THE ARCHITECT'S CONSENT.

KWC ARCHITECTS INC.

383 Parkdale Avenue, Suite 201
 Ottawa Ontario Canada K1Y 4R4

PHONE (613) 238-2117
 FAX (613) 238-6595
 E MAIL kwc@kwc-arch.com

NORTH

ARCHITECT'S/ENGINEER'S STAMP

BBS

BUILDING A REPUTATION ON EXCELLENCE

BBS CONSTRUCTION (ONTARIO) LTD.
 1805 WOODWARD DRIVE,
 OTTAWA, ON. K2C 0P9 CANADA
 TEL: (613) 226-8830 FAX: (613) 226-7709
 www.bbsconstruction.ca

OWNER

MORIN BROS BUILDING SUPPLY INC.

PROJECT

PROPOSED OFFICE ADDITION, WAREHOUSE ADDITION & NEW WAREHOUSE BUILDING

DRAWING TITLE

ELEVATIONS, BUILDINGS A & C

PROJECT No. **KWC 2028 | BBS 480** DRAWING No. **A011**

SCALE **1 : 100**

DRAWN BY **AK**

DATE **23 JUNE 2020**