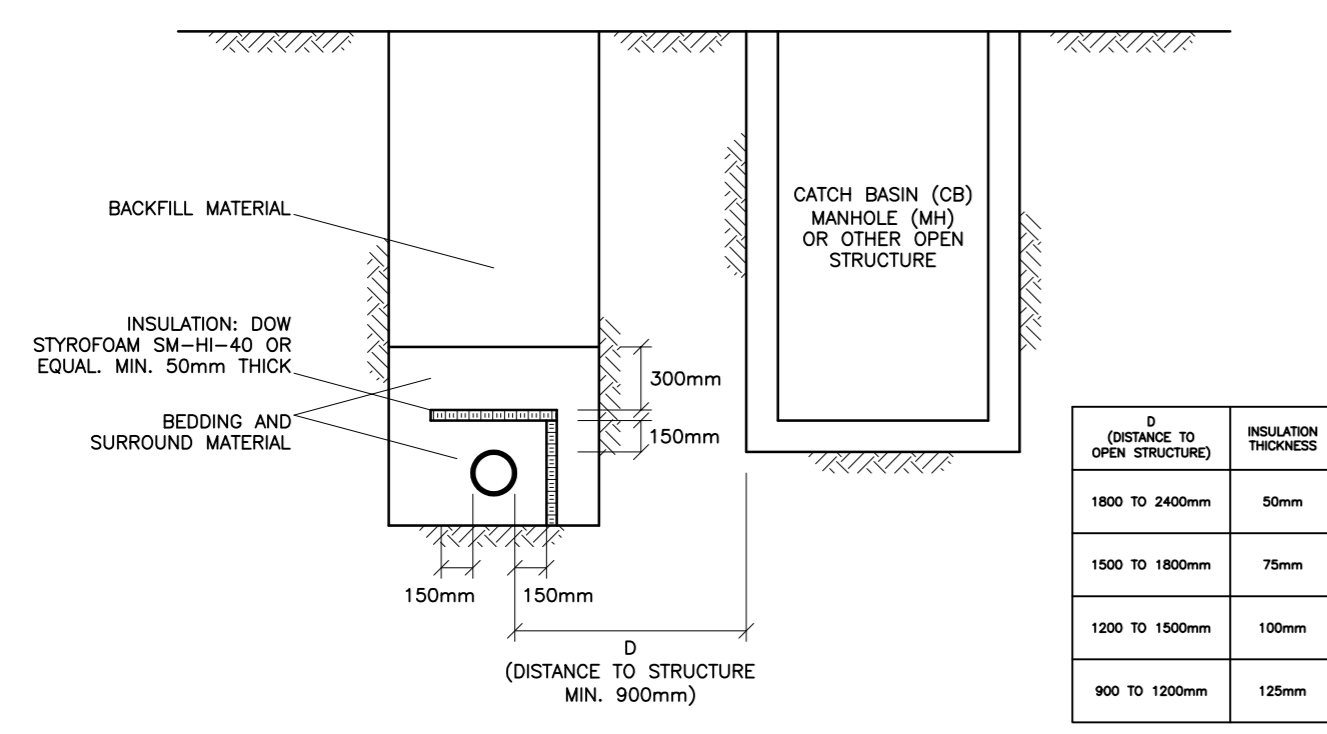
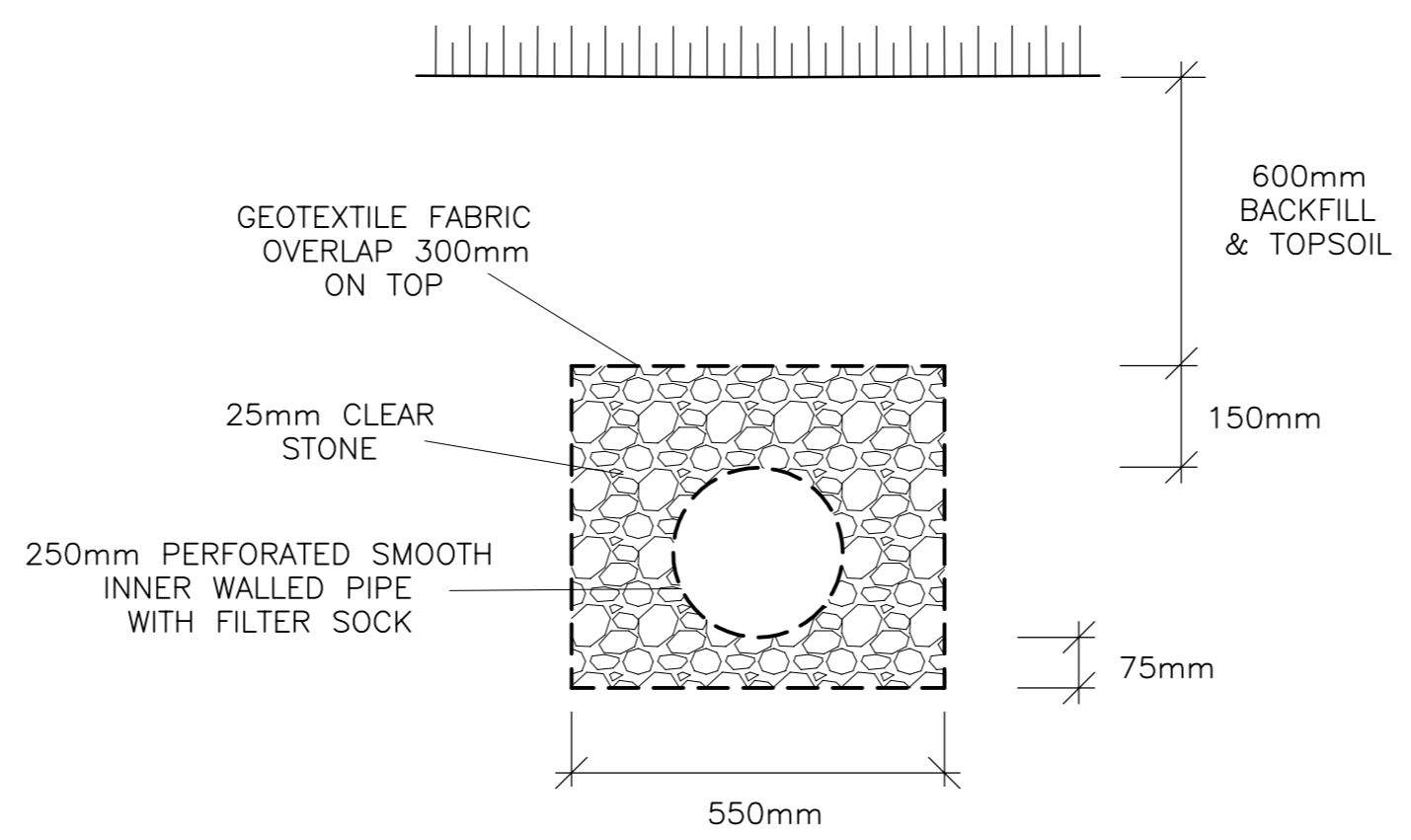


SECTION SWALE
AS PER CITY OF
OTTAWA DRAWING S29
N.T.S.

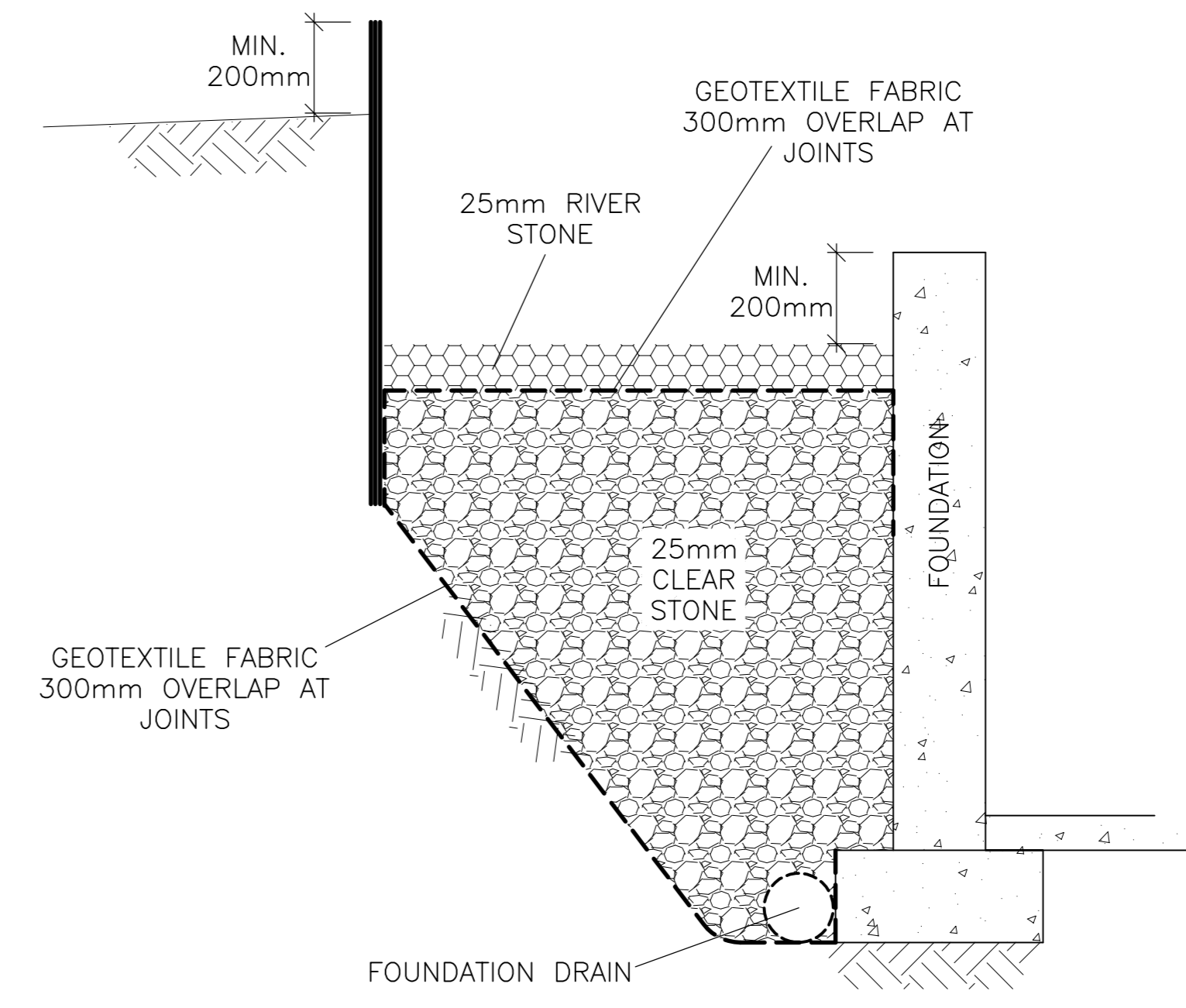


INSULATION OF WATERMAINS &
WATER SERVICE CONNECTIONS
AT OPEN STRUCTURES
AS PER CITY OF OTTAWA DRAWING NO. W23
N.T.S.

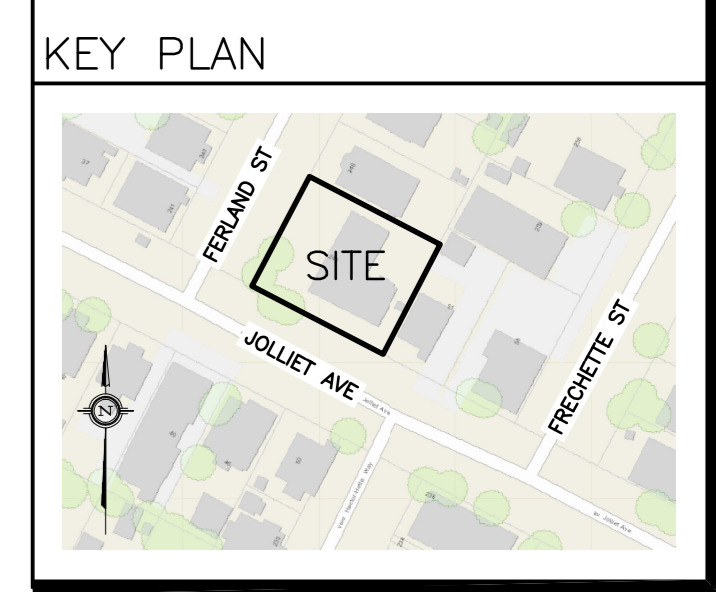
D (DISTANCE TO OPEN STRUCTURE)	INSULATION THICKNESS
1800 TO 2400mm	50mm
1500 TO 1800mm	75mm
1200 TO 1500mm	100mm
900 TO 1200mm	125mm



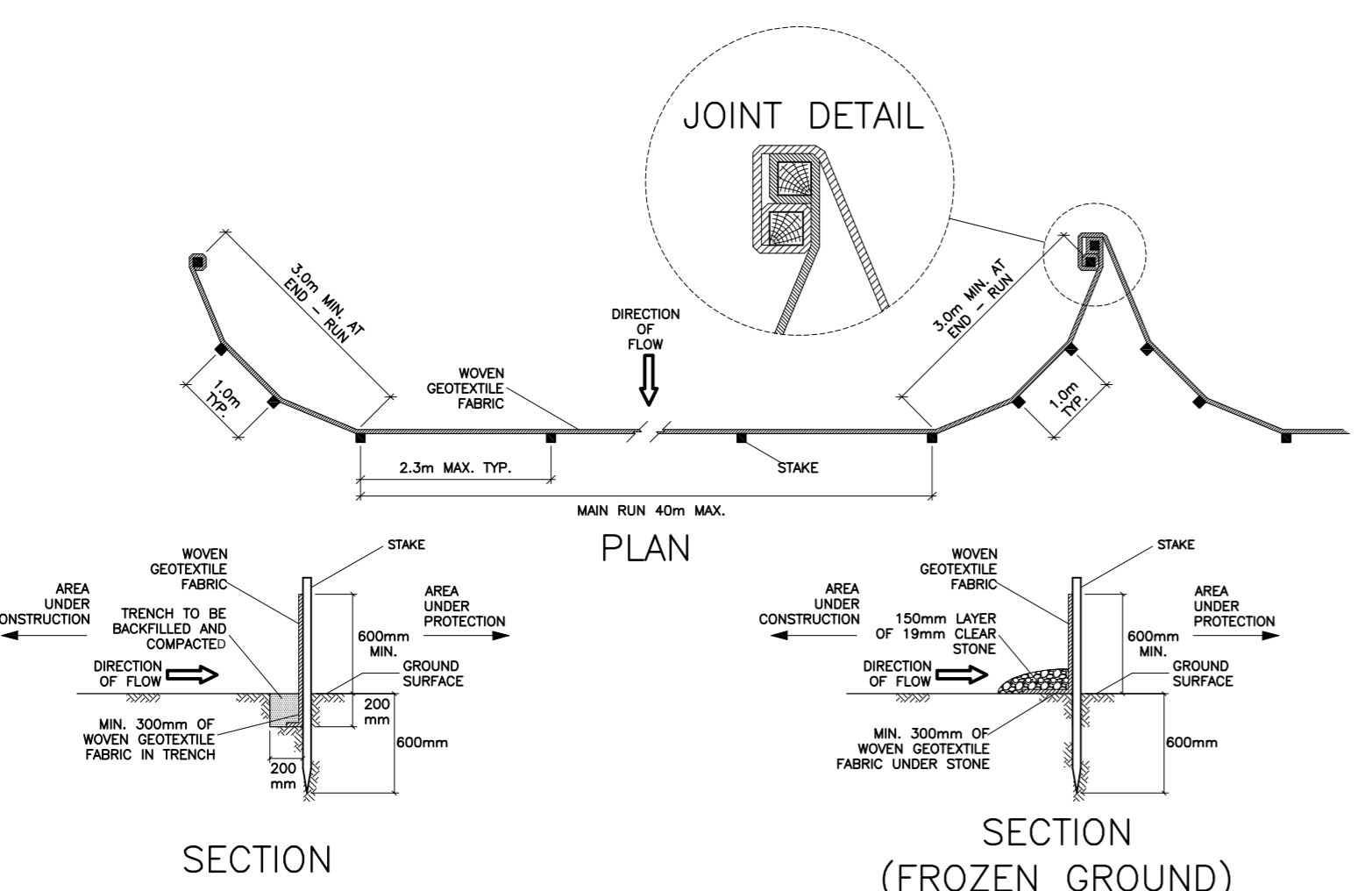
SUB-DRAIN
(CONNECT TO STORM MANHOLE OR CATCH BASIN)
N.T.S.



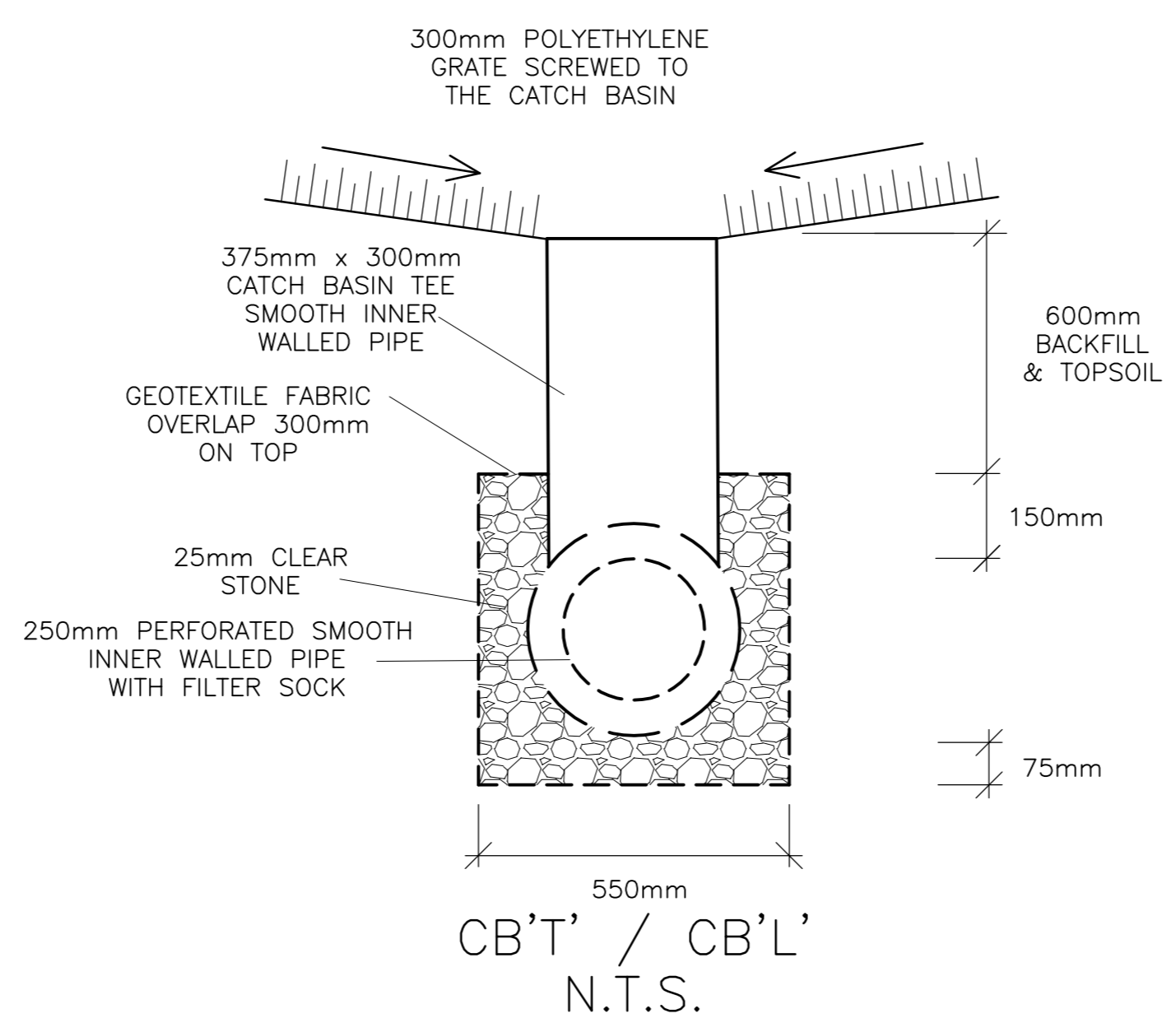
WINDOW WELL DRAINAGE DETAIL
N.T.S.



KEY PLAN

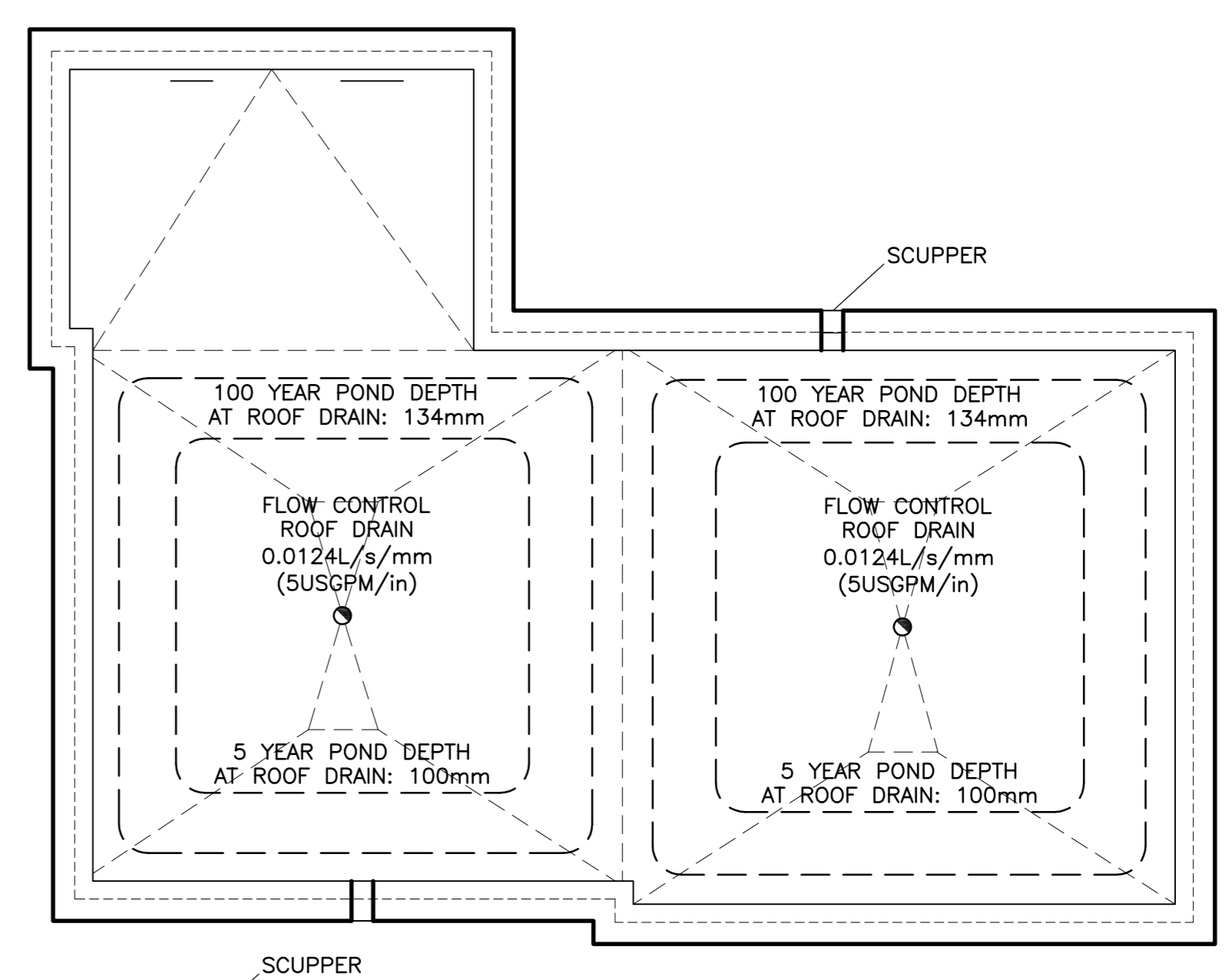


SILT FENCE BARRIER
AS PER OPSD 219.110
(MODIFIED FOR FROZEN GROUND)
N.T.S.



CB'T' / CB'L'
N.T.S.

INSTALL A MINIMUM OF 2 SCUPPERS, EACH A MINIMUM 375mm WIDE. BOTTOM OF SCUPPERS SHALL BE 150mm ABOVE ROOF DRAINS (REFER TO ARCHITECTURAL FOR EXACT LOCATIONS AND DETAILS). ROOF SHALL BE DESIGNED TO CARRY THE LOAD OF WATER HAVING A 50mm DEPTH AT SCUPPER AND 200mm DEPTH AT ROOF DRAIN (REFER TO STRUCTURAL).



ROOF PLAN
1:100

No.	DATE	REVISION
2	AUG 8-20	ISSUED FOR APPROVAL
1	AUG 4-20	ISSUED FOR COORDINATION

D. B. GRAY ENGINEERING INC.
Stormwater Management - Grading & Drainage - Storm & Sanitary Sewers - Watermain
700 Long Point Circle 613-425-8044
Ottawa, Ontario d.gray@dbgrayengineering.com

Project
**PROPOSED 3 STOREY
STACKED TOWNHOMES
240 FERRAND STREET
OTTAWA, ONTARIO**

Drawing Title
DETAILS

Engineer's Seal
D. B. GRAY
17016502
AUG 8-20
PROVINCE OF ONTARIO
NOT VALID UNLESS
SIGNED & DATED

Drawn D.B.G.
Hor. Scale
Vert. Scale
Date AUG 4-20
Job No. 19073
Drawing No.
**C-6
of 7**