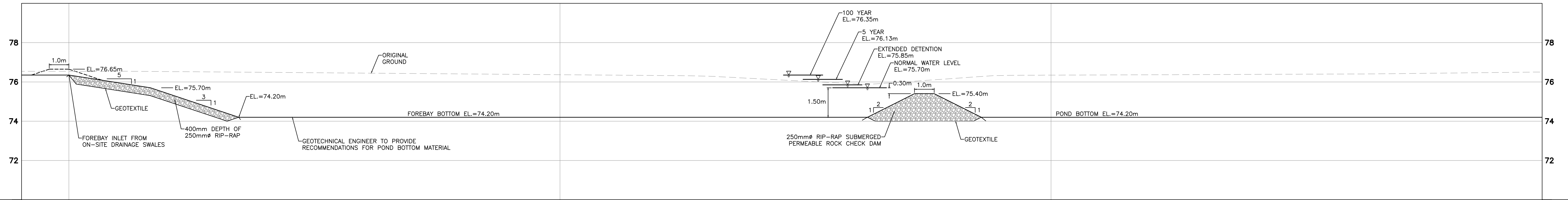
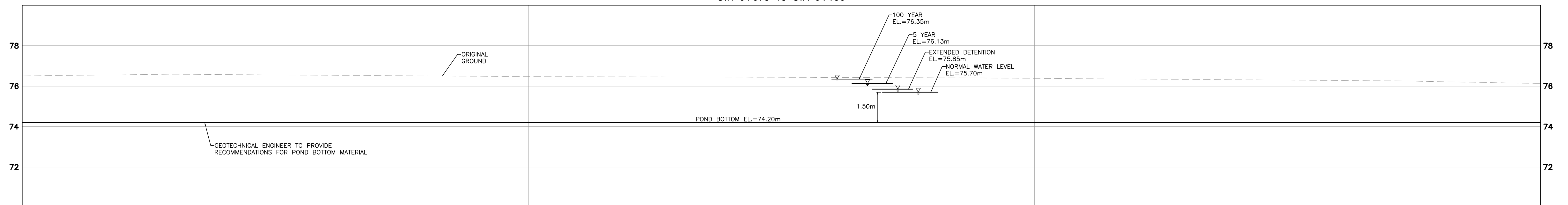


SECTION A-A  
STA 0+000 TO STA 0+075



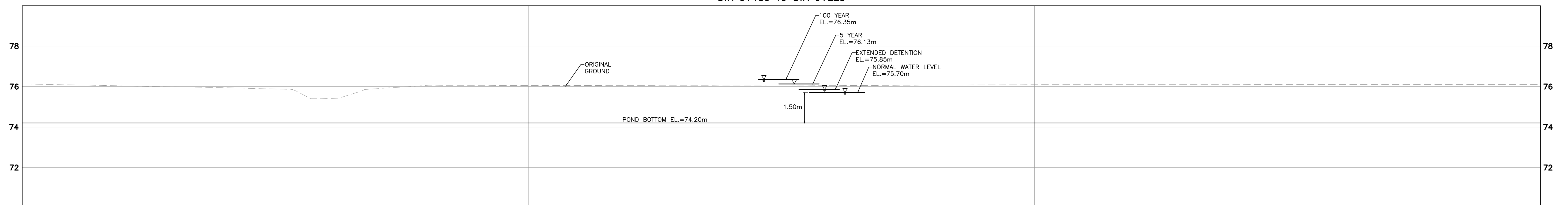
|                           |       |       |       |       |       |       |       |       |       |       |                           |
|---------------------------|-------|-------|-------|-------|-------|-------|-------|-------|-------|-------|---------------------------|
| FINISHED GRADE            | 76.35 | 75.70 | 74.20 | 74.20 | 74.20 | 75.40 | 75.40 | 74.20 | 74.20 | 74.20 | FINISHED GRADE            |
| ORIGINAL GROUND ELEVATION | 76.54 |       |       | 76.37 |       |       |       | 76.34 |       |       | ORIGINAL GROUND ELEVATION |
| STATION                   | 0+000 |       |       | 0+025 |       |       |       | 0+050 |       |       | STATION                   |

SECTION A-A  
STA 0+075 TO STA 0+150



|                           |       |       |       |       |                           |
|---------------------------|-------|-------|-------|-------|---------------------------|
| FINISHED GRADE            | 74.20 | 74.20 | 74.20 | 74.20 | FINISHED GRADE            |
| ORIGINAL GROUND ELEVATION | 76.50 | 76.47 | 76.36 | 76.13 | ORIGINAL GROUND ELEVATION |
| STATION                   | 0+075 | 0+100 | 0+125 | 0+150 | STATION                   |

SECTION A-A  
STA 0+150 TO STA 0+225



|                           |       |       |       |       |                           |
|---------------------------|-------|-------|-------|-------|---------------------------|
| FINISHED GRADE            | 74.20 | 74.20 | 74.20 | 74.20 | FINISHED GRADE            |
| ORIGINAL GROUND ELEVATION | 76.13 | 76.06 | 76.10 | 76.10 | ORIGINAL GROUND ELEVATION |
| STATION                   | 0+150 | 0+175 | 0+200 | 0+225 | STATION                   |

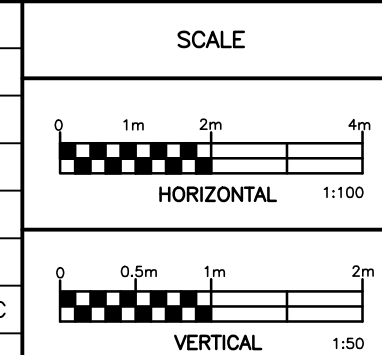
**NOT FOR CONSTRUCTION**

NOTES

THE POSITION OF ALL POLE LINES, CONDUITS, WATERMANS, SEWERS AND OTHER UNDERGROUND AND OVERGROUND UTILITIES AND STRUCTURES IS NOT NECESSARILY SHOWN ON THE CONTRACT DRAWINGS, AND WHERE SHOWN, THE ACCURACY OF THE POSITION OF SUCH UTILITIES AND STRUCTURES IS NOT GUARANTEED. BEFORE STARTING WORK, DETERMINE THE EXACT LOCATION OF ALL SUCH UTILITIES AND STRUCTURES AND ASSUME ALL LIABILITY FOR DAMAGE TO THEM.

GEODETIC SURVEY DERIVED FROM COSINE STATION 00819678105. LOCATION DESCRIPTION: GALVANIZED PIPE WITH BRONZE CAP NBENCH MARK ON THE WEST SIDE OF BOUNDARY ROAD, 1.6 KM SOUTH OF RUSSELL ROAD. BENCHMARK IS 10.7M WEST OF CENTERLINE OF BOUNDARY ROAD AND IS MARKED BY A YELLOW AND BLACK PICKET. VERTICAL CONTROL DATA, DATUM: CGVD2013, FIRST ORDER, ELEVATION: 79.733, COORDINATE SYSTEM: MTM ZONE 9; NAD 83 DATUM (CAN83-9)

| NO. | REVISION DESCRIPTION             | DATE     | BY  |
|-----|----------------------------------|----------|-----|
| 1   | ISSUED FOR SITE PLAN APPLICATION | 08/07/20 | SMC |



**Robinson**  
Land Development

350 Palladium Drive  
Ottawa, ON K2V 1A8  
(613) 592-6060 rcii.com

|          |     |
|----------|-----|
| DESIGN   | BLM |
| CHECKED  | SMC |
| DRAWN    | BLM |
| CHECKED  | SMC |
| APPROVED | SMC |

OTTAWA D-SQUARED ASPHALT LTD.  
6811 HIRAM ROAD, GREELEY, ON  
  
5455 BOUNDARY ROAD  
OTTAWA, ON

SWM POND DETAILS

|             |           |
|-------------|-----------|
| PROJECT No. | 20003     |
| SURVEY      | RLD       |
| DATED       | JULY 2020 |
| DWG. No.    | 20003-D1  |