

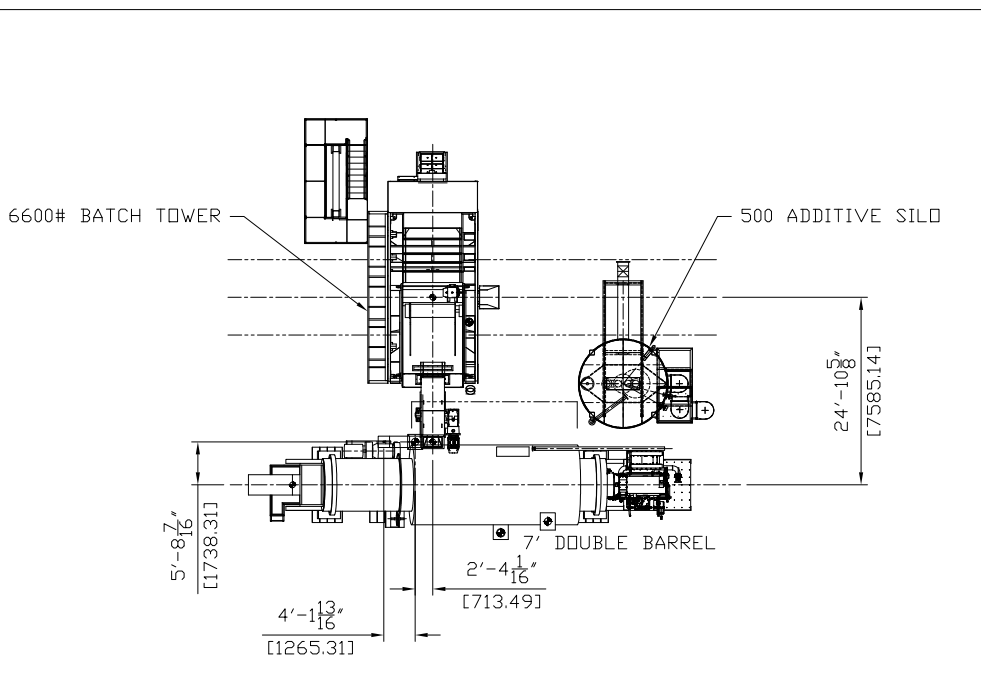
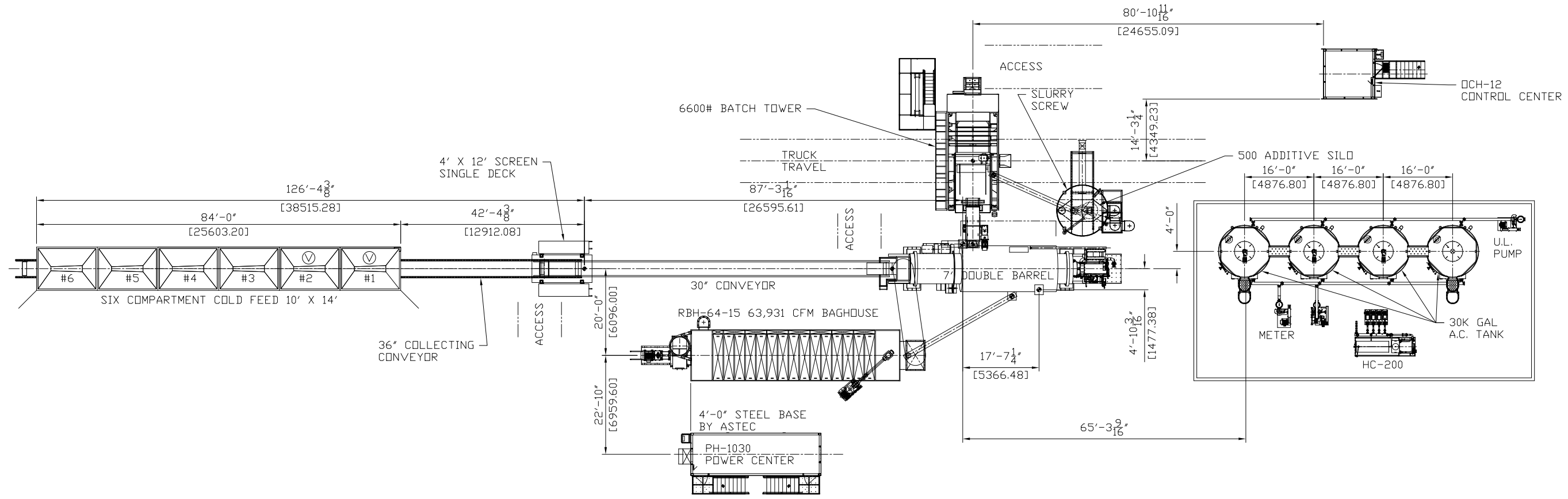
- NOTES:
1. DIMENSIONS FURNISHED FOR INFORMATION AND REFERENCE ONLY. DO NOT USE DIMENSIONS FOR FABRICATION OR FOUNDATION DESIGN.
  2. BENCHMARK ELEVATION 100'-0" TO BE ESTABLISHED AT TOP OF FINISHED CONCRETE NEAR DRAG BASE FOUNDATION. ALL NEW EQUIPMENT AT ELEVATION 100'-0" UNLESS OTHERWISE NOTED.
  3. DO NOT SCALE - THIS DRAWING MAY BE A REDUCED COPY.
  4. A.C. PIPING & ERECT CABLES TO BE 12" ABOVE GRADE FROM METER TO DRUM AT TRUCK ACCESS.
  5. DIMENSIONS SHOWN IN BRACKETS ARE mm. EXAMPLE: 20'-0" [6096]

PRELIMINARY  
NOT TO BE USED FOR CONSTRUCTION

2	REVISED PER DRUM CHANGE FROM COMBO	JES	2/13/2020
1	UPDATED PER WORKORDER MEETING	JES	12/18/2019

NO	REVISION	APPR	BY	DATE
<b>ASTEC, INC.</b>				
4101 JEROME AVENUE 34600 CTY HWY K CHATTANOOGA, TN. 37407 PRAIRIE du CHEIN, WI. 53821				
RELEASE INFORMATION				
19-310				
OTTAWA D-SQUARED ASPHALT LTD, - GREELY, ON				
PART NAME PLANT LAYOUT				
MACHINE 6600# TOWER COMBO 7' DOUBLE BARREL PLANT				
DWN	JEFFREY E. SHRADER	CHKD	APPR	
DATE	SHEET	SCALE	DWG NO	REV
12/17/2019			D19-310-1A	02

TOLERANCES ON DIMENSIONS UNLESS OTHERWISE NOTED ON THE DRAWING ARE:  
 MACHINING (±0.010") - STRUCTURAL (±1/8") - WELD SIZE (-0", +1/8").  
 THIS DRAWING AND THE DESIGN SHOWN THEREIN IS THE PROPERTY OF ASTEC, INC.  
 AND USE OR COPIES THEREOF CANNOT BE MADE WITHOUT WRITTEN CONSENT



- NOTES:
1. DIMENSIONS FURNISHED FOR INFORMATION AND REFERENCE ONLY. DO NOT USE DIMENSIONS FOR FABRICATION OR FOUNDATION DESIGN.
  2. BENCHMARK ELEVATION 100'-0" TO BE ESTABLISHED AT TOP OF FINISHED CONCRETE NEAR DRAG BASE FOUNDATION. ALL NEW EQUIPMENT AT ELEVATION 100'-0" UNLESS OTHERWISE NOTED.
  3. DO NOT SCALE - THIS DRAWING MAY BE A REDUCED COPY.
  4. A.C. PIPING & EFFECT CABLES TO BE 12" ABOVE GRADE FROM METER TO DRUM AT TRUCK ACCESS
  5. DIMENSIONS SHOWN IN BRACKETS ARE mm. EXAMPLE: 20'-0"[6096]

PRELIMINARY  
NOT TO BE USED FOR CONSTRUCTION

2	REVISED PER DRUM CHANGE FROM COMBO	JES	2/13/2020
1	UPDATED PER WORKORDER MEETING	JES	12/18/2019

NO	REVISION	APPR	BY	DATE

RELEASE INFORMATION

<b>ASTEC, INC.</b>	
4101 JEROME AVENUE CHATTANOOGA, TN. 37407	34600 CTY HWY K PRAIRIE du CHEIN, WI. 53821
19-310	
OTTAWA D-SQUARED ASPHALT LTD, - GREELY, ON	
PART NAME PLANT LAYOUT	
MACHINE 6600# TOWER COMBO 7' DOUBLE BARREL PLANT	
DWN JEFFREY E. SHRADER	CRKD APPR
DATE 12/17/2019	SHEET SCALE DWG NO REV D19-310-1A 02

TOLERANCES ON DIMENSIONS UNLESS OTHERWISE NOTED ON THE DRAWING ARE:  
MACHINING (±0.010") - STRUCTURAL (±1/8") - WELD SIZE (-0", +1/8").  
THIS DRAWING AND THE DESIGN SHOWN THEREIN IS THE PROPERTY OF ASTEC, INC.  
AND USE OR COPIES THEREOF CANNOT BE MADE WITHOUT WRITTEN CONSENT