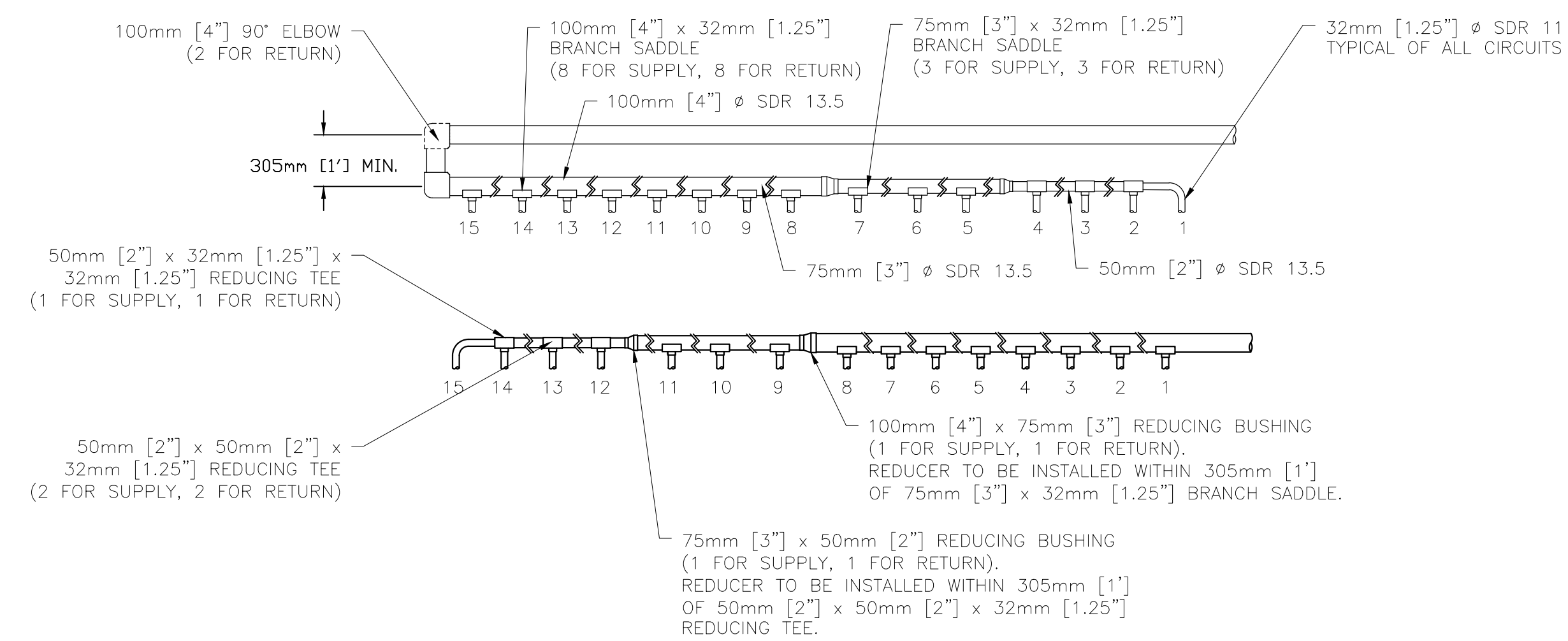
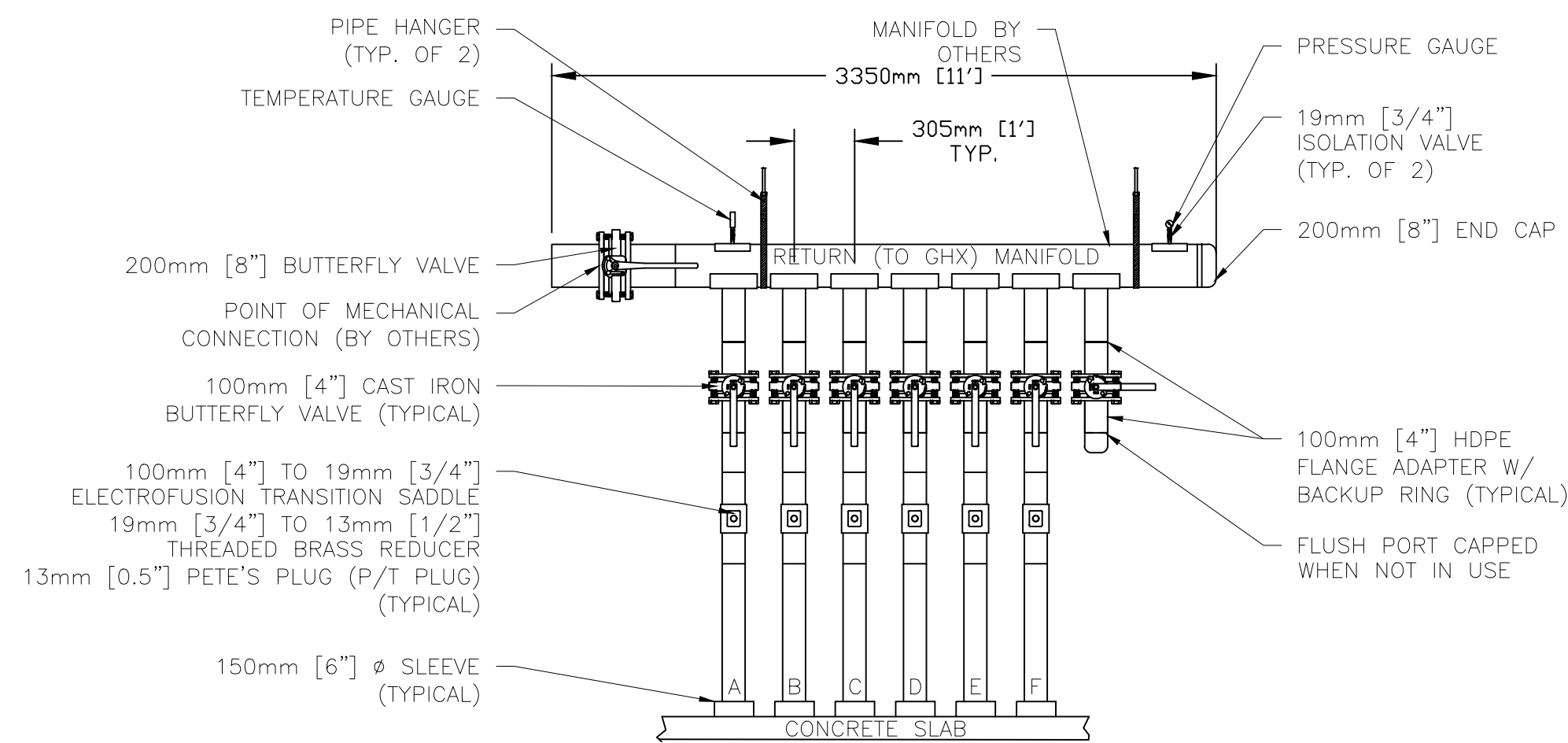


1 BOREHOLE DETAIL
Scale: NTS

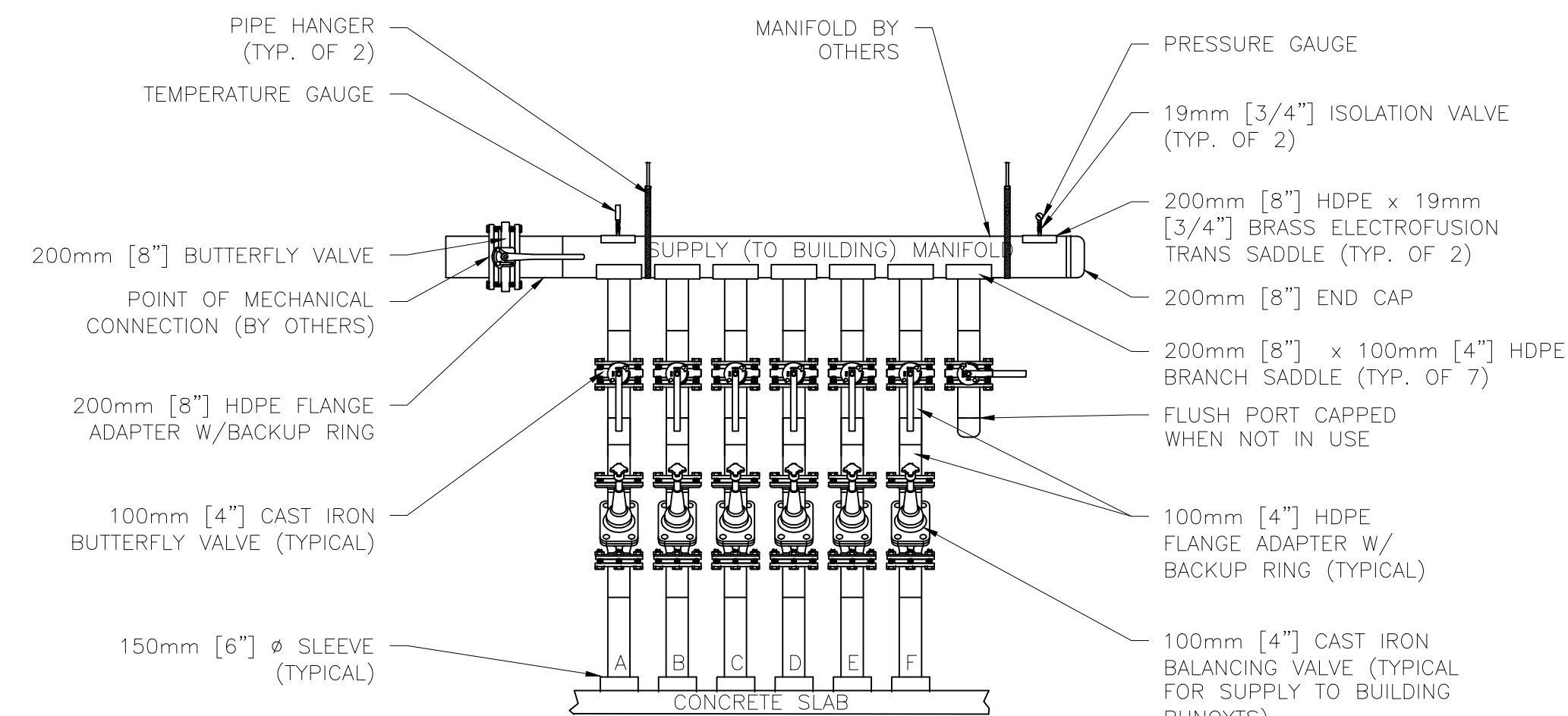


NOTE: USE ONLY TEES AND SADDLES, NO SIDEWALL FUSIONS.

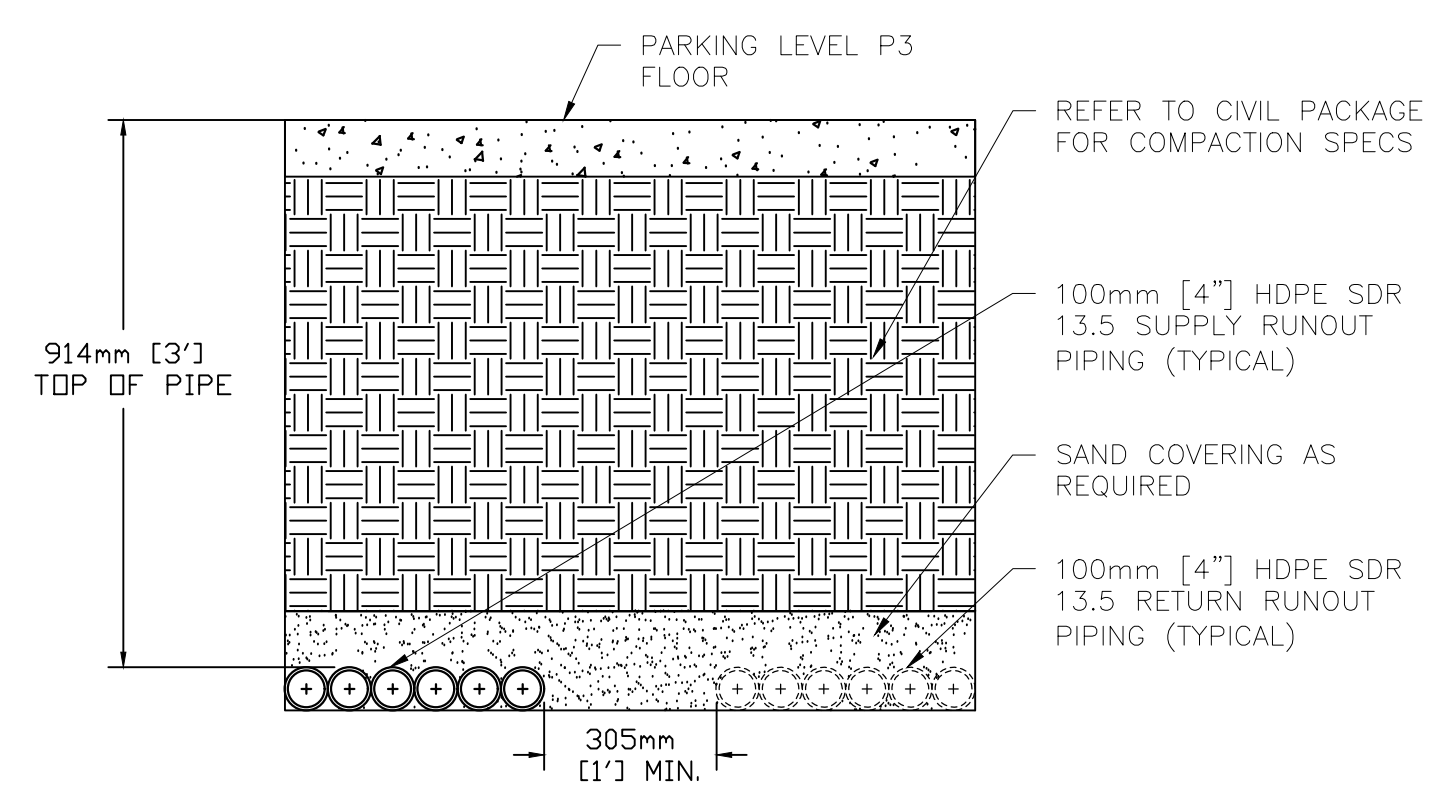
2 GHX HEADER DETAIL (TYPICAL)
Scale: NTS



3 RETURN (TO GHX) MANIFOLD DETAIL
Scale: NTS



4 SUPPLY (TO BUILDING) MANIFOLD DETAIL
Scale: NTS



5 TRENCH DETAIL (TYPICAL)
Scale: NTS

APPROVED REFUSED
THIS DAY OF _____, 20__

DON HERWEYER, M.C.P., R.P.P., MANAGER
DEVELOPMENT REVIEW SOUTH
PLANNING, INFRASTRUCTURE AND ECONOMIC
DEVELOPMENT DEPARTMENT, CITY OF OTTAWA

no.	date	revision

It is the responsibility of the appropriate contractor to check and verify all dimensions on site and report all errors and/or omissions to the engineer.

All contractors must comply with all

Do not scale drawings.
This drawing may not be used for construction until signed.

Copyright reserved.



Hobin Architecture Incorporated
63 Pamela Street
Ottawa, Ontario
Canada K1S 3K7
T: 613-238-7200
F: 613-235-9845
E: mail@hobinarc.com
hobinarc.com

PROJECT:
RIOCAN - CITY PARK PHASE 2
2280 City Park Drive
DRAWING TITLE:
GROUND HEAT EXCHANGER DETAILS

DRAWN	DATE	SCALE
A.T.	07/31/18	AS NOTED

PROJECT	DATE
DRAWING NO.	G102
REVISION NO.	