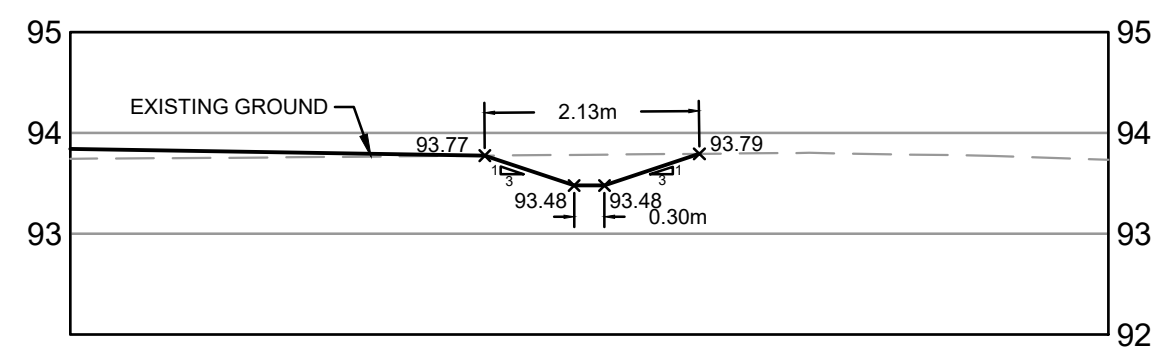


3rd PIPE OUTLET CHANNEL TO CARP RIVER
SECTION A-A

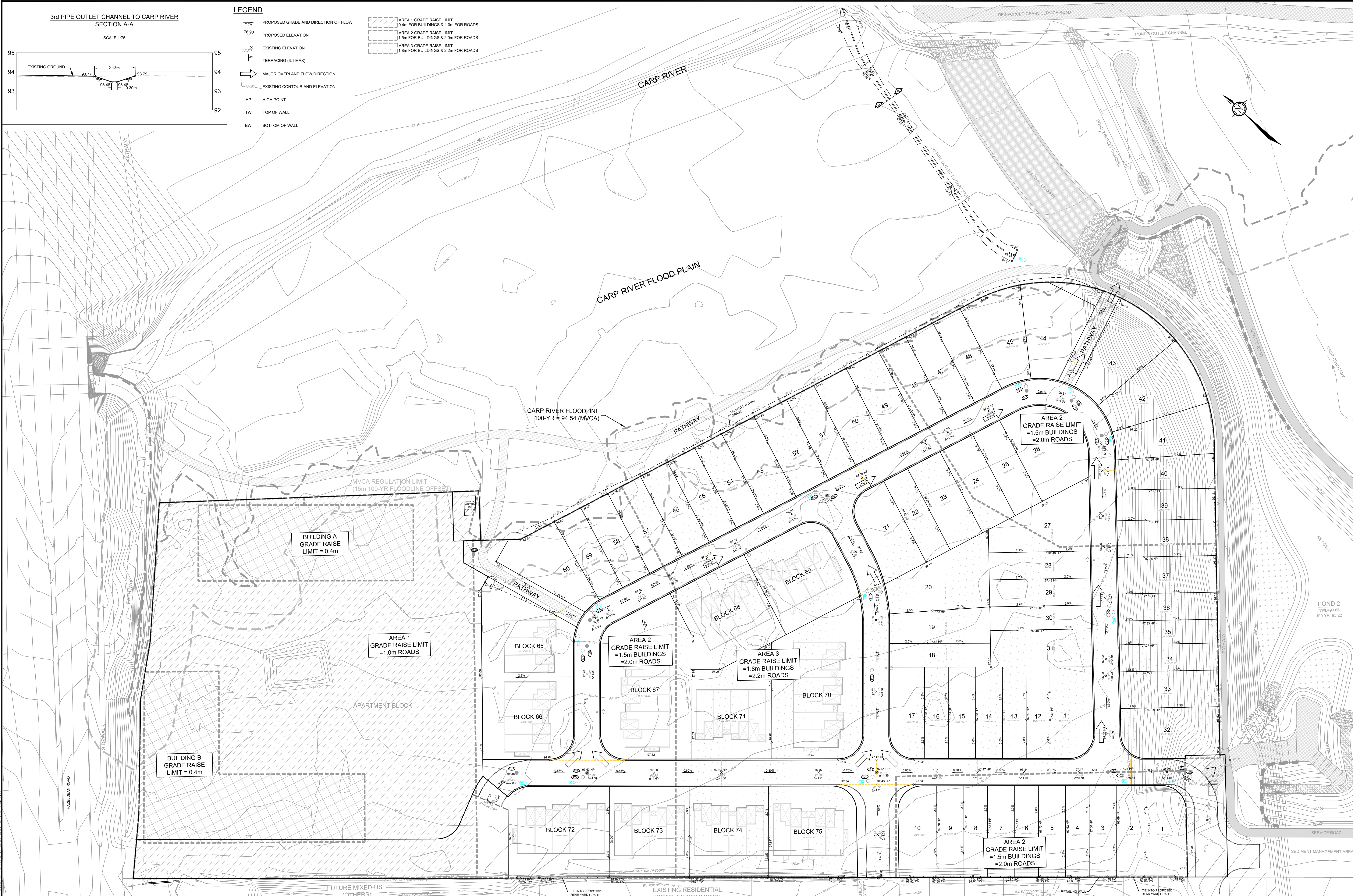
SCALE 1:75



LEGEND

- PROPOSED GRADE AND DIRECTION OF FLOW
- PROPOSED ELEVATION
- EXISTING ELEVATION
- TERRACING (3:1 MAX)
- MAJOR OVERLAND FLOW DIRECTION
- EXISTING CONTOUR AND ELEVATION
- HIGH POINT
- TOP OF WALL
- BOTTOM OF WALL

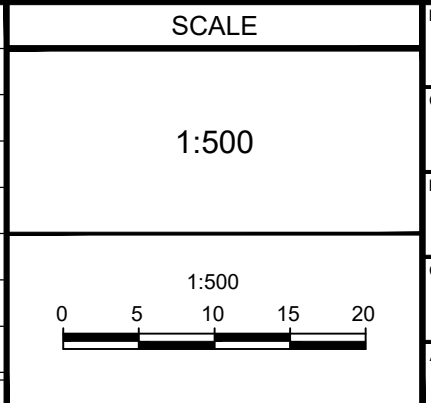
- AREA 1 GRADE RAISE LIMIT
0.4m FOR BUILDINGS & 1.0m FOR ROADS
- AREA 2 GRADE RAISE LIMIT
1.5m FOR BUILDINGS & 2.0m FOR ROADS
- AREA 3 GRADE RAISE LIMIT
1.8m FOR BUILDINGS & 2.2m FOR ROADS



NOTE:
THE POSITION OF ALL POLE LINES, CONDUITS,
WATERMANS, SEWERS AND OTHER
UNDERGROUND AND OVERGROUND UTILITIES AND
STRUCTURES IS NOT NECESSARILY SHOWN ON
THE CONTRACT DRAWINGS, AND WHERE SHOWN,
THE ACCURACY OF THE POSITION OF SUCH
UTILITIES AND STRUCTURES IS NOT GUARANTEED.
BEFORE STARTING WORK, DETERMINE THE EXACT
LOCATION OF ALL SUCH UTILITIES AND
STRUCTURES AND ASSUME ALL LIABILITY FOR
DAMAGE TO THEM.

No.	REVISION	DATE	BY
3	DP COMMENT RESOLUTION	MAY 22/26	MAB
2	DP COMMENT RESOLUTION	JAN 20/26	MAB
1	DRAFT PLAN APPLICATION	AUG 15/25	MAB

DESIGN	DATE	BY
DESIGNED		
CHECKED		
DRAWN		
CHECKED		
MAB		
APPROVED		
MAB		



FOR REVIEW ONLY

PROFESSIONAL ENGINEER
L.R. WILSON
100180055
PROVINCE OF ONTARIO

PROFESSIONAL ENGINEER
M.A. BISSETT
2026.05.22
PROVINCE OF ONTARIO

NOVATECH
Engineers, Planners & Landscape Architects
Suite 200, 240 Michael Copland Drive
Ottawa, Ontario, Canada K2M 1P6
Telephone: (613) 254-9643
Facsimile: (613) 254-5867
Website: www.novatech-eng.com

CITY OF OTTAWA
560 HAZELDEAN ROAD - DOUBLE DECK SUBDIVISION

MASTER GRADING PLAN

PROJECT NO: 100057-05
REV # 3
DRAWING NO: 100057-MGR

C:\000\100057-MGR\00057-MGR.dwg: 2025-05-22 10:00:00 AM: 2.43gm: employee

PL4-NP-2107-100057-MGR