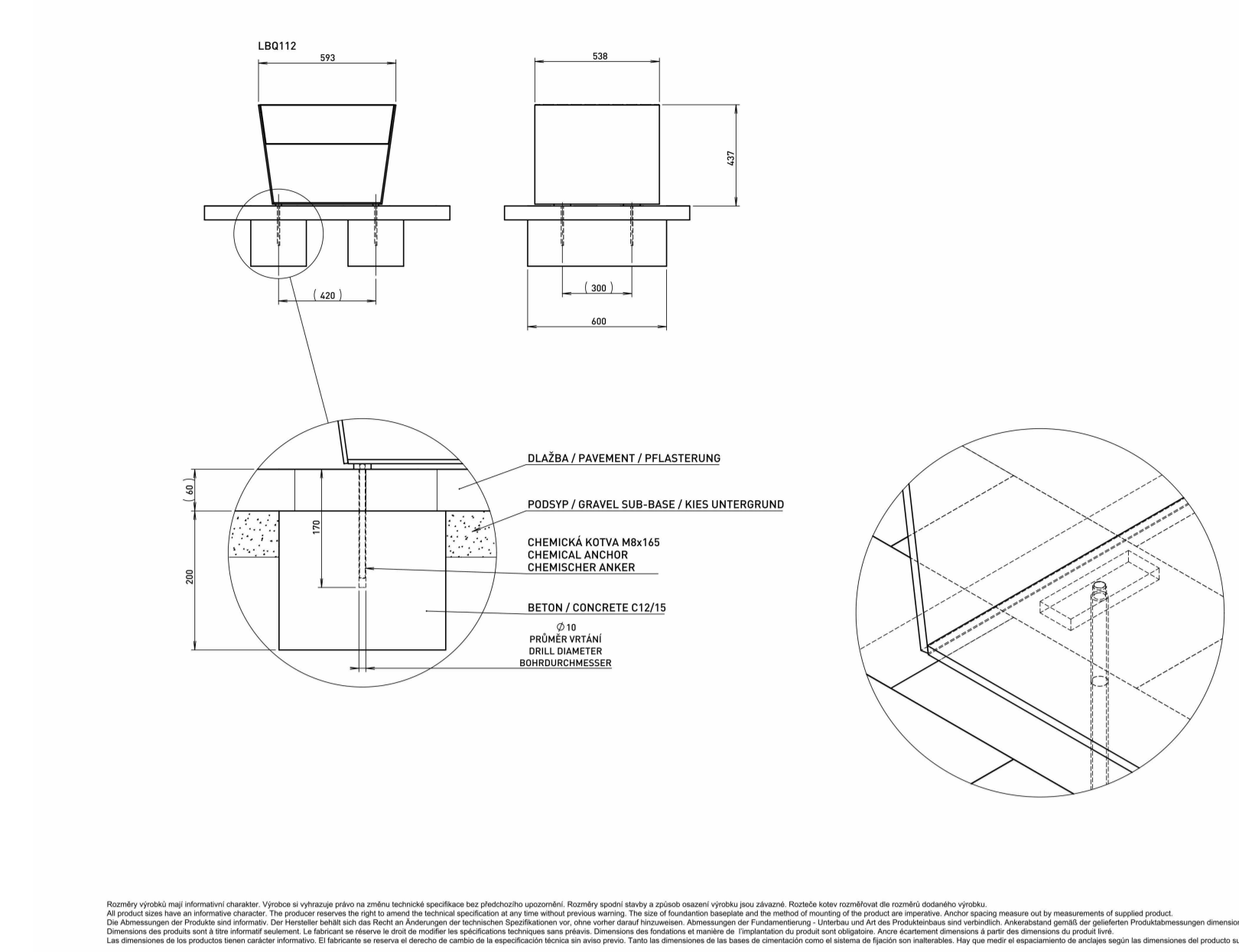
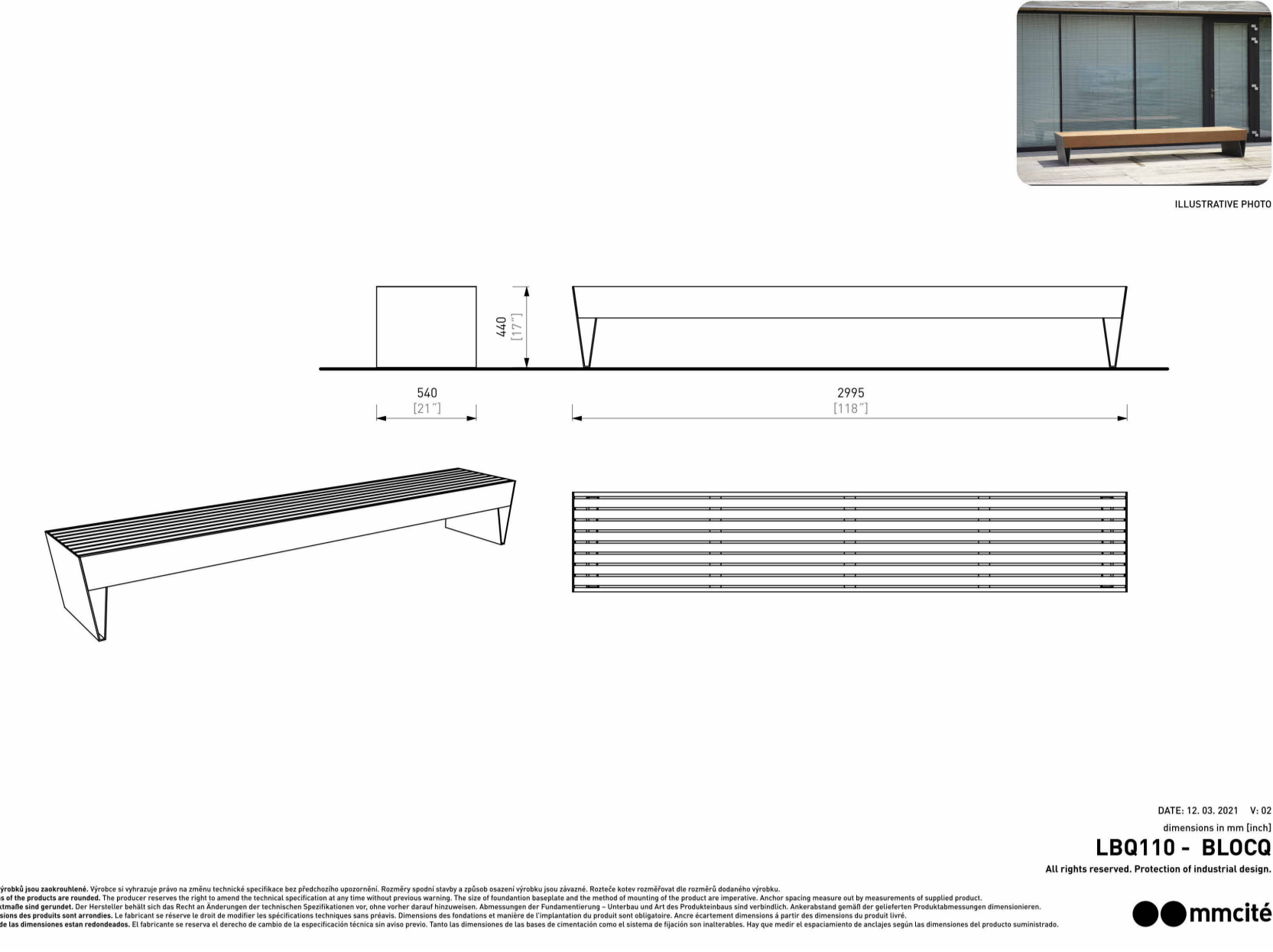


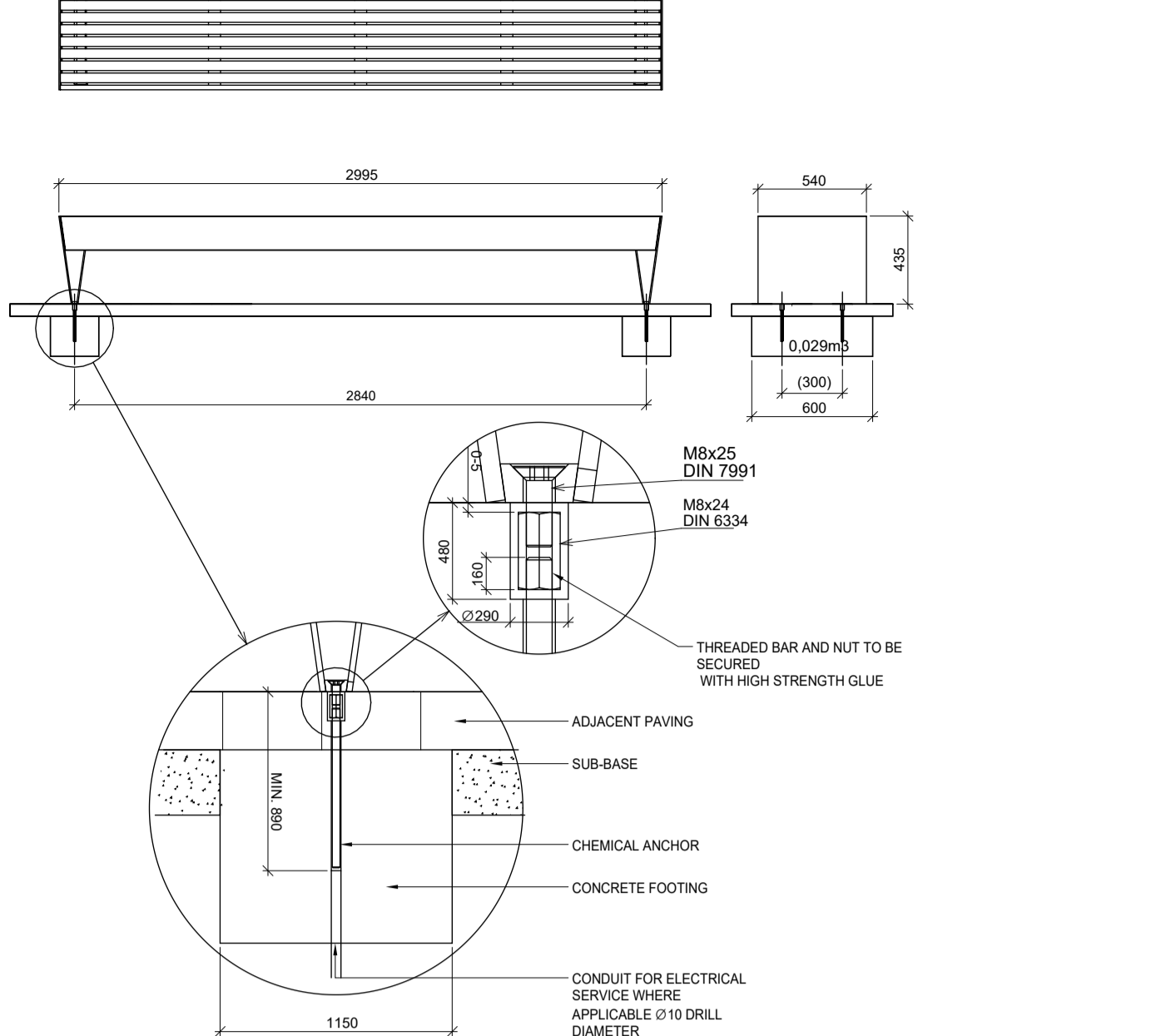
1 BIKE REPAIR STATION
SCALE: NTS



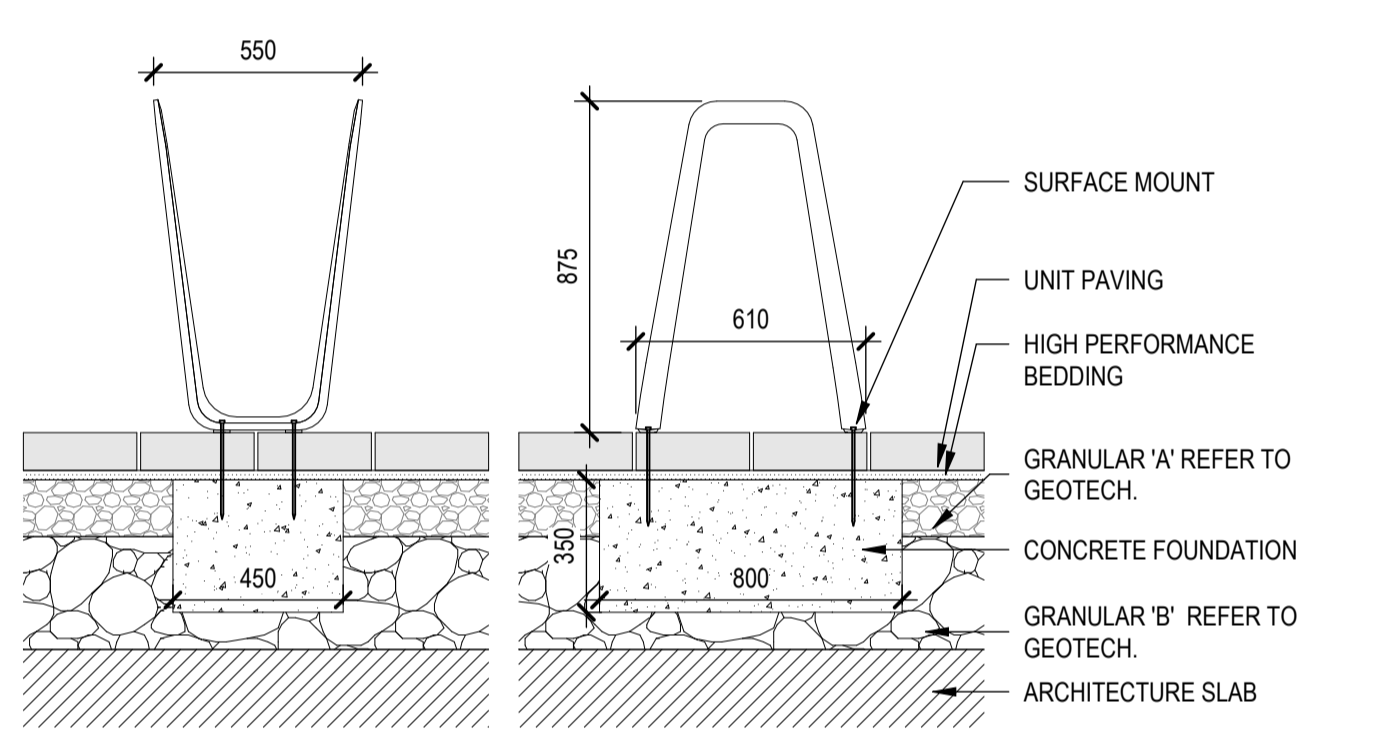
2 SHORT BENCH
SCALE: NTS



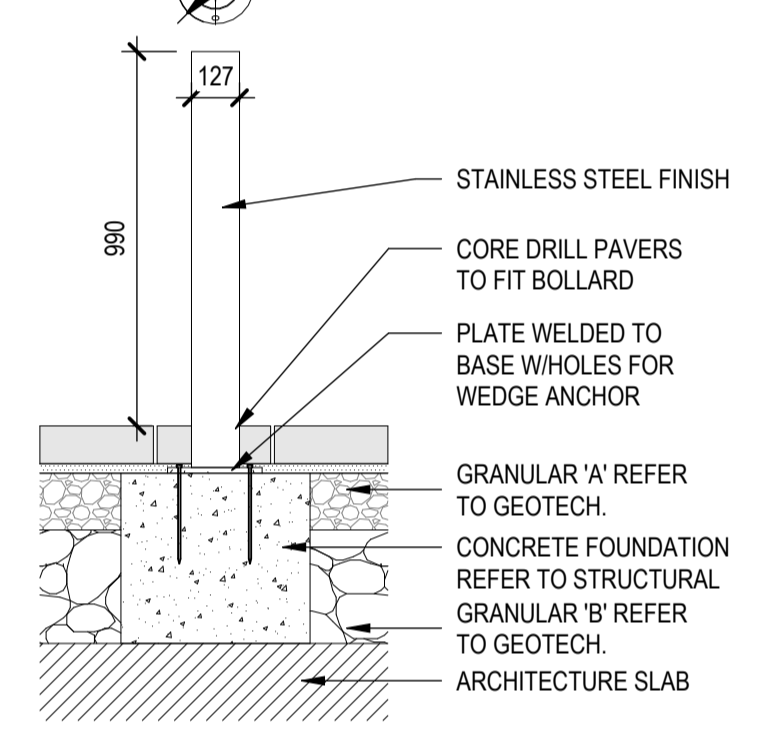
3 LONG BENCH
SCALE: NTS



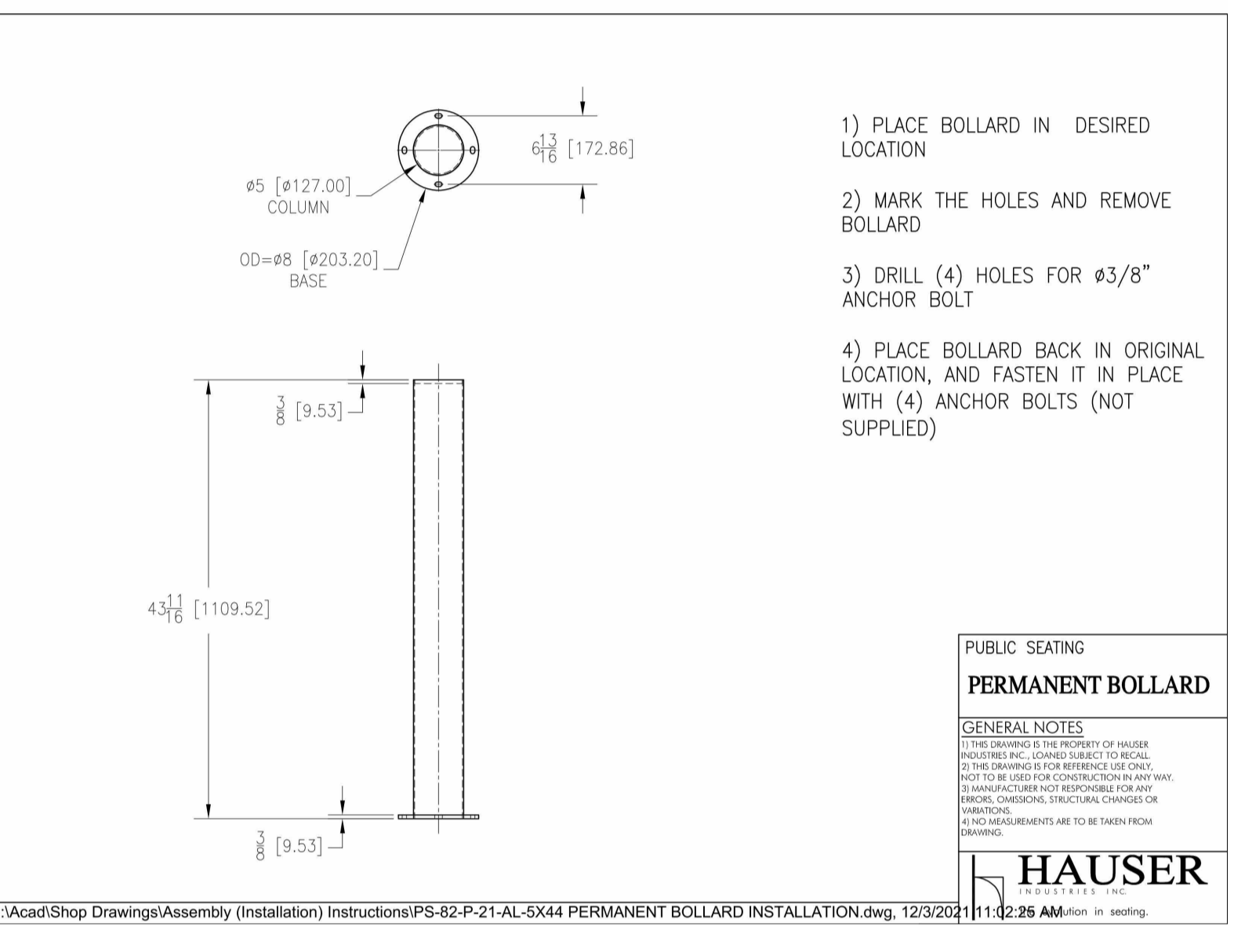
7 WELLINGTON BIA BIKE RACK
SCALE: NTC



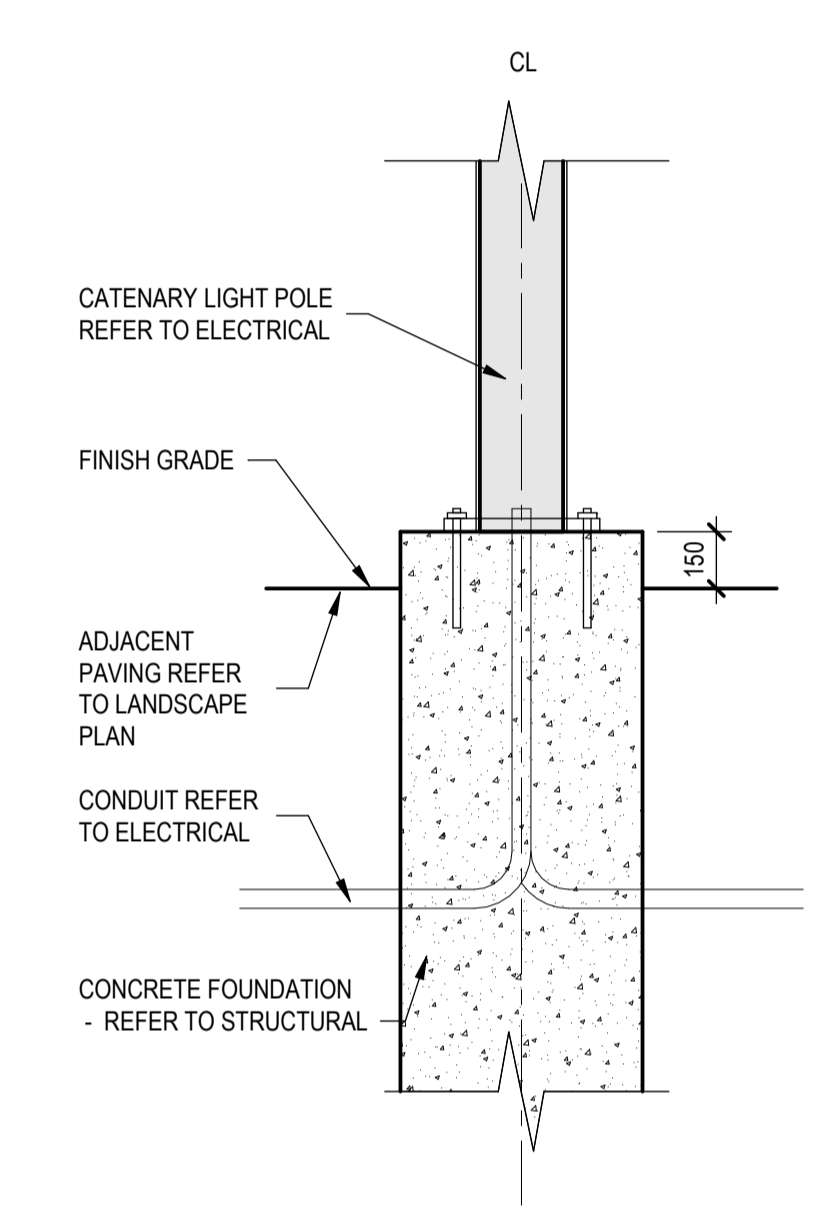
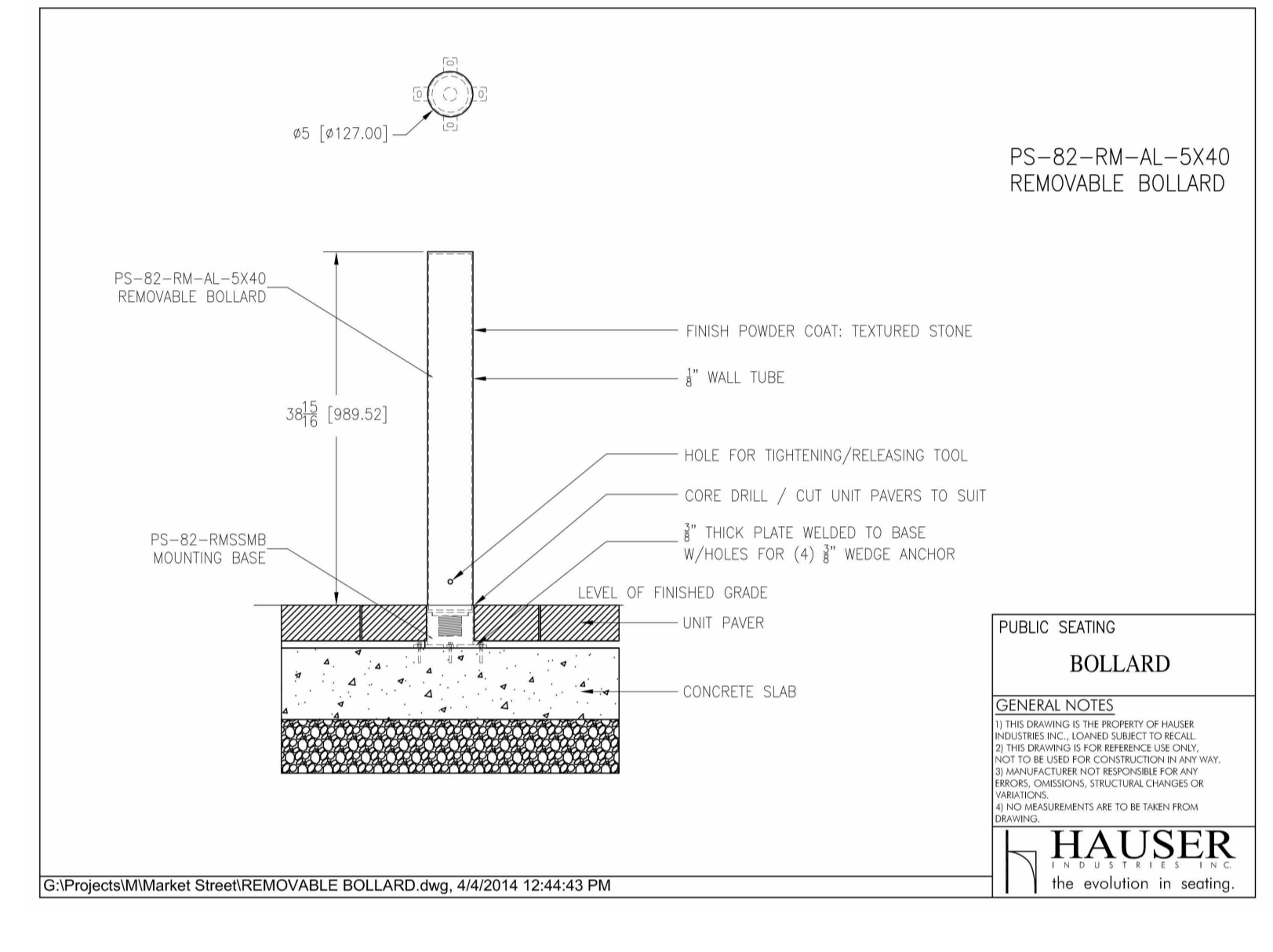
4 ELK BIKE RACK
SCALE: 1:20



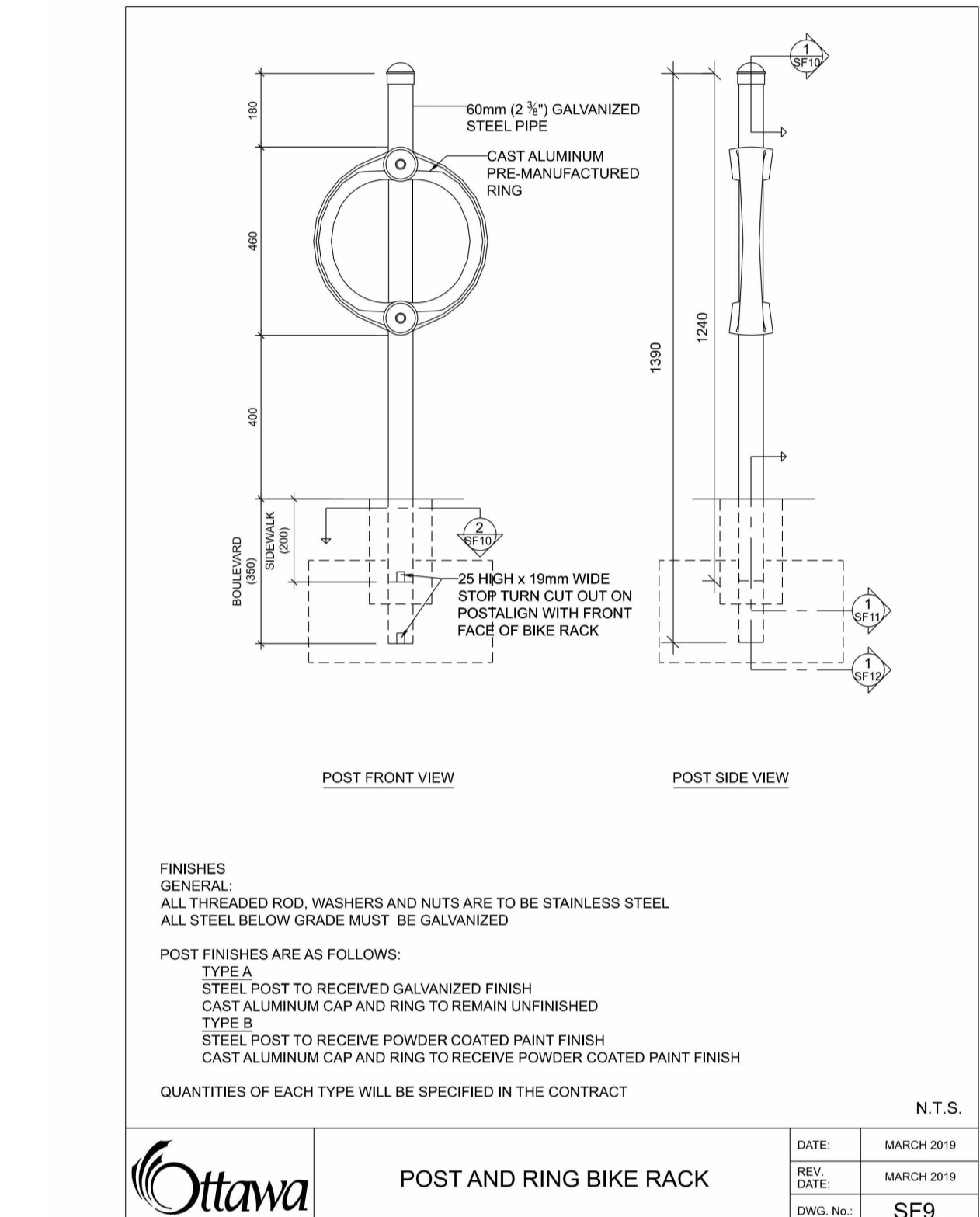
5 BOLLARD
SCALE: 1:20



6 REMOVABLE BOLLARD
SCALE: NTS

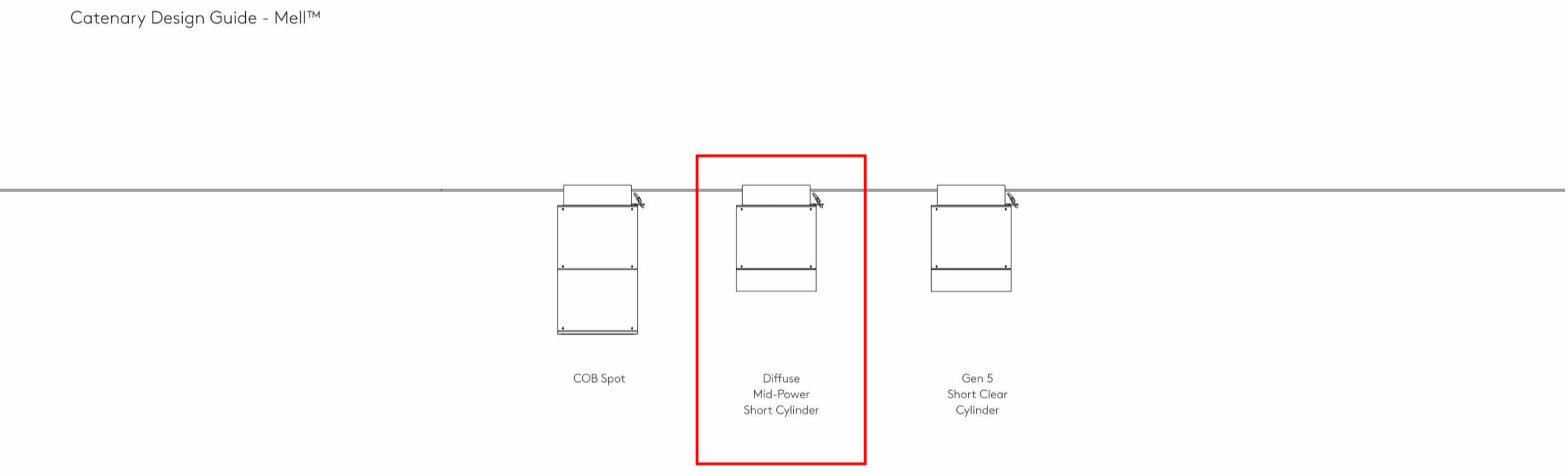


9 CATENARY LIGHT POLE
SCALE: NTS



7 WELLINGTON BIA BIKE RACK
SCALE: NTC

NOTE:
REFER TO ELECTRICAL FOR DRAWINGS AND SPECIFICATIONS.



Product Specifications

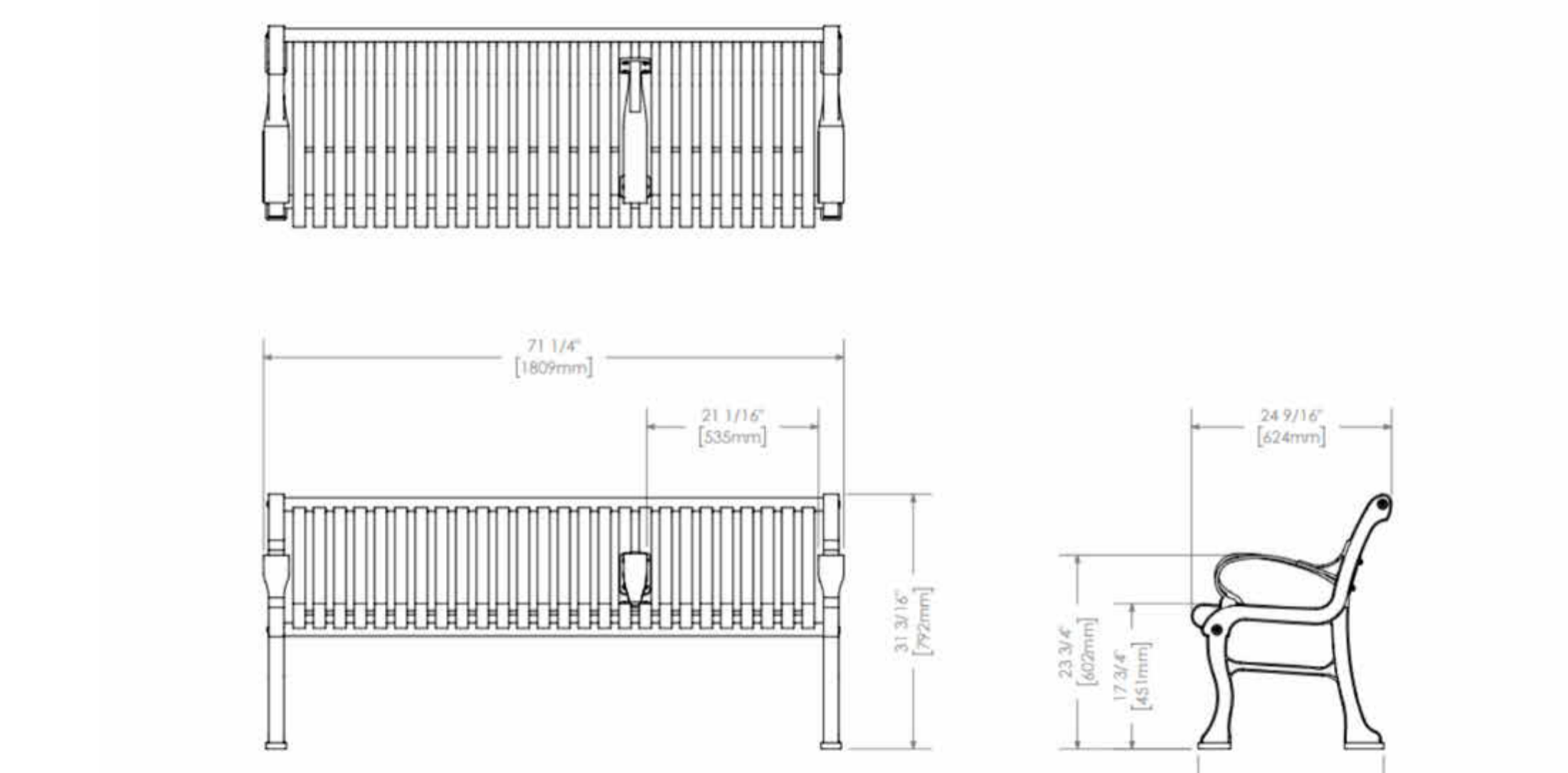
Mounting:	Catenary For other mountings, see Mell™ Application Guide or spec sheets.
Light Engine:	Gen 5: Type I - Type II - Type III - Type IV - Type V round Diffuse: short diffuse - long diffuse Spot COB: spot 9° - spot 20° - flood 40° - flood 80°
Optics:	Gen 5: up to 3,254lm Diffuse: up to 3,342lm Spot COB: up to 2,908lm
CCT:	2700K - 3000K - 3500K - 4000K - 5000K - 60CRI minimum
Options:	Hexagonal louver - spread lens - color filter - motion sensor - house-side shield

Mell™ is available in a wide variety:
Gen5 with short glass
Gen 5 with long glass
Diffused with short glass
Diffused with long glass
Spot COB

Refer to luminaire specification sheet or installation instructions for various wiring scenarios.

CATENARY LIGHTING FIXTURE

11 EXTERIOR LIGHTING FIXTURE
SCALE: 1:20



8 WELLINGTON BIA BENCH
SCALE: NTS

MAGLIN	THE INFORMATION CONTAINED IN THIS DRAWING IS THE SOLE PROPERTY OF MAGLIN. IT IS TO BE USED ONLY FOR THE PROJECT AND SITE SPECIFICALLY IDENTIFIED HEREIN. ANY REUSE OR MODIFICATION OF THIS DRAWING WITHOUT THE WRITTEN PERMISSION OF MAGLIN IS STRICTLY PROHIBITED.	FILE: 300_BENCH_71_25H_L_CAST_AL_ENDS_METAL_END_ARM_CTR_ARM_OFFSET_1/3_FROM_RIGHT_FACING_BENCH_ANTI-GRAFFITI_COATING	DATE: 2019-07-02	SCALE: 1:18
MAGLIN 888-888-8888 1000 WAGLE AVE. SUITE 100 OTTAWA, ON K1H 8P2 TEL: 613-745-6471 FAX: 613-745-6471		PROJECT: MP-ME891641	REV: 002	SHEET NO: 1 OF 1

- ISSUED FOR
- 2021-06-25 ISSUED FOR OPA/ZBLA
 - 2021-11-19 RE-ISSUED FOR OPA/ZBLA
 - 2022-06-30 ISSUED FOR SPA
 - 2022-12-09 ISSUED FOR SPA
 - 2023-04-06 ISSUED FOR SPA
 - 2023-09-15 ISSUED FOR 33% DD
 - 2023-12-08 ISSUED FOR 66% DD
 - 2024-06-20 ISSUED FOR BUILDING PERMIT
 - 2024-09-20 ISSUED FOR 99% TENDER
 - 2024-09-27 ISSUED FOR TENDER
 - 2024-11-08 RE-ISSUED FOR SPA
 - 2024-11-21 ISSUED FOR FINAL SPA
 - 2024-11-29 ISSUED FOR FINAL SPA

METRIC
THIS DRAWING IS COPYRIGHTED AND MUST NOT BE USED, REPRODUCED, OR REVISED WITHOUT WRITTEN PERMISSION. ALL DIMENSIONS ARE IN MILLIMETERS UNLESS OTHERWISE NOTED. VERIFY DIMENSIONS. DO NOT SCALE THIS DRAWING. REPORT INCONSISTENCIES AND OMISSIONS TO THE CONSULTANT FOR CLARIFICATION BEFORE COMMENCING WITH THE WORK. DEVIATIONS FROM THE CONTRACT DOCUMENTS WITHOUT WRITTEN APPROVAL FROM THE CONSULTANT ARE SUBJECT TO CORRECTION AT THE CONTRACTOR'S EXPENSE.

CLIENT
WELLDAL LIMITED PARTNERSHIP
200-180 KENT STREET
OTTAWA, ON K1P 0B6
Tel: 416-220-7101

ARCHITECT
DIALOG
35 JOHN STREET #600
TORONTO, ON M5V 3G6
Tel: 416-966-0220

URBAN PLANNER
DIALOG
35 JOHN STREET #600
TORONTO, ON M5V 3G6
Tel: 416-966-0220

LANDSCAPE ARCHITECT
DIALOG
35 JOHN STREET #600
TORONTO, ON M5V 3G6
Tel: 416-966-0220

ENVIRONMENTAL/GEOTECHNICAL
DIALOG
20 GURDWARA ROAD, UNIT 1
OTTAWA, ON K1E 4B3
Tel: 613-745-6471

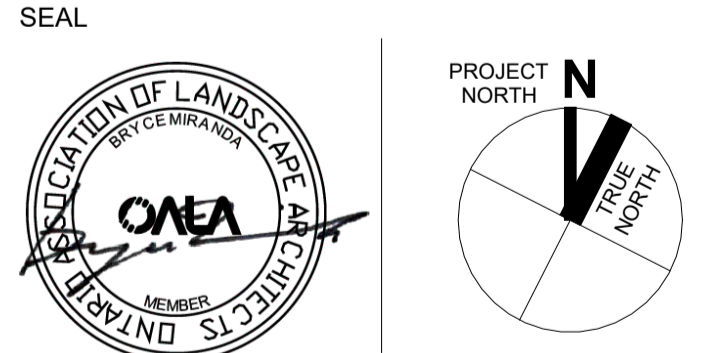
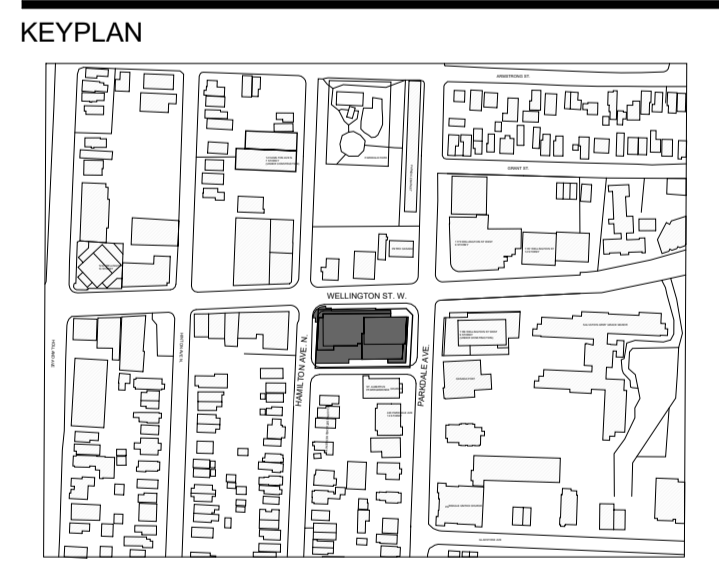
HERITAGE CONSULTANT
MTBA
222 LAURIER AVENUE EAST, STUDIO 201
OTTAWA, ON K1N 6P2
Tel: 613-244-2322

CIVIL ENGINEER
DISEL
120 BEER ROAD, SUITE 103
OTTAWA, ON K2S 1E9
Tel: 613-836-8656

TRAFFIC CONSULTANT
CGH TRANSPORTATION
6 PLAZA COURT
OTTAWA, ON K2H 7W1
Tel: 613-897-3797

SURVEY
STANTEC
1331 CLYDE AVE. SUITE 400
OTTAWA, ON K1C 3G4
Tel: 613-742-4400

NOISE/WIND CONSULTANT
GRADIENT WIND
127 WALGREEN ROAD
OTTAWA, ON K0A 1L0
Tel: 613-836-0934



1186-1194 WELLINGTON ST W

1186-1194 Wellington St W
Ottawa, ON K1Y 2Z5

SITE DETAILS -FURNITURES

DRAWN: AC/EB CHECKED: BM
PLOT DATE: 11/28/2024 3:06:21 PM

L6.01

CITY PLAN No.: 18573
CITY FILE No.: D07-12-22-0150