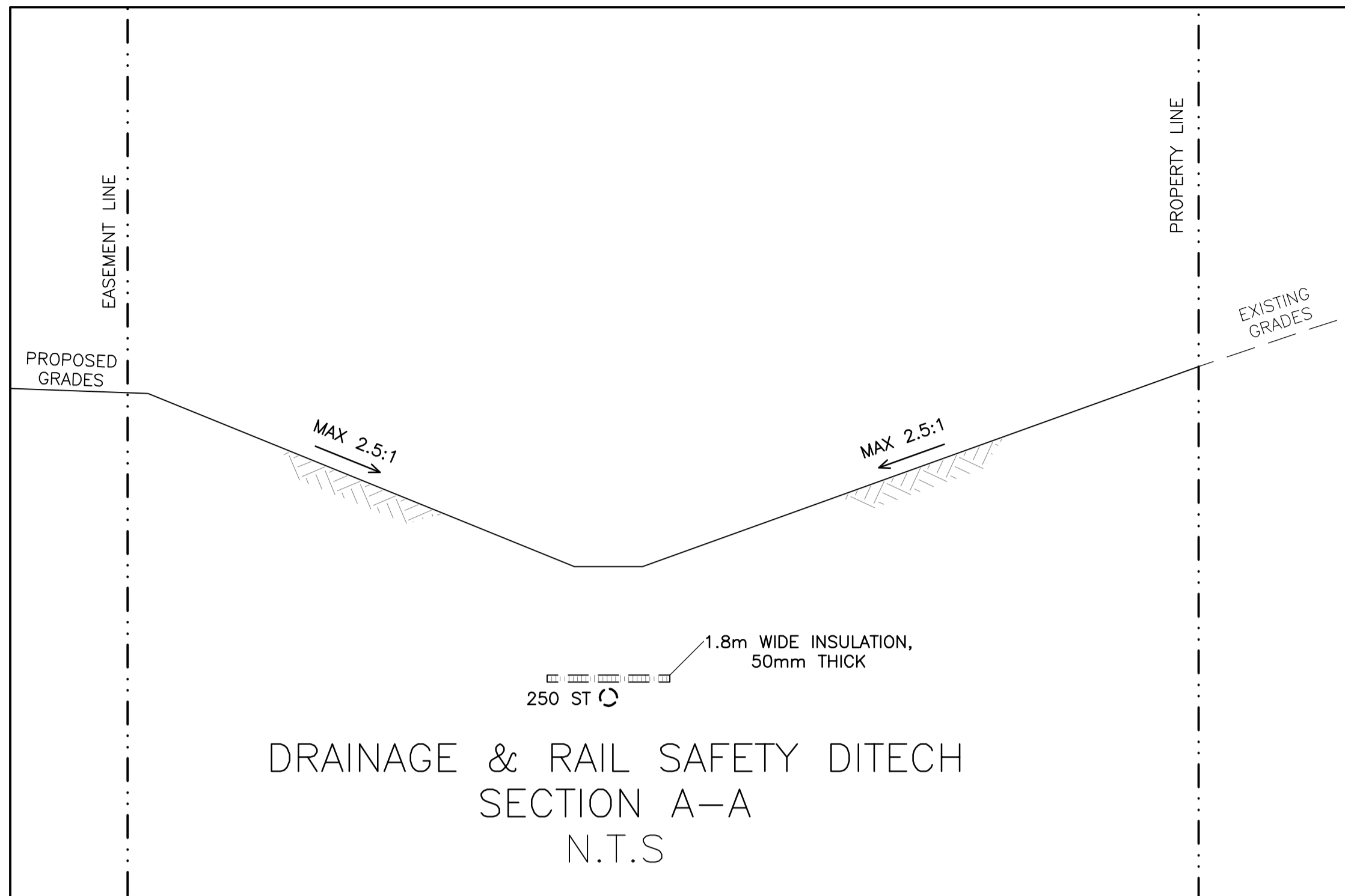
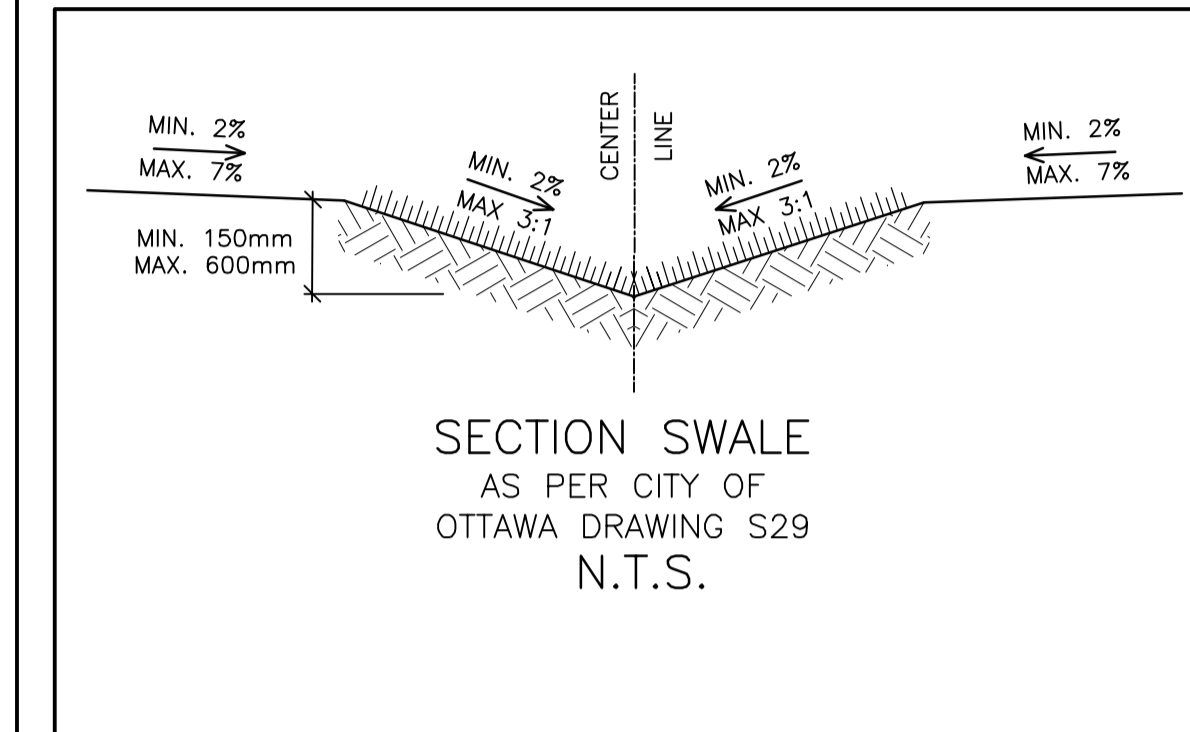


SERVICING & GRADING PLAN FOR POSSIBLE CONFIGURATION OF FUTURE CUL-DE-SAC FINAL DESIGN TO BE COMPLETED BY CITY OF OTTAWA OR OTHERS



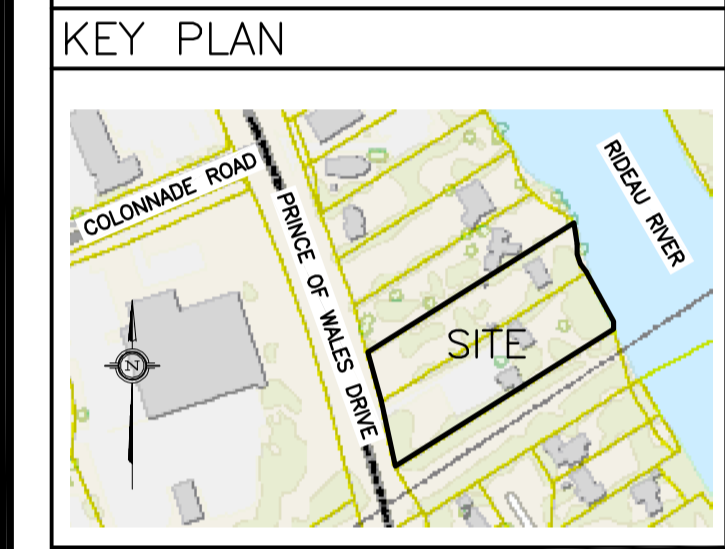
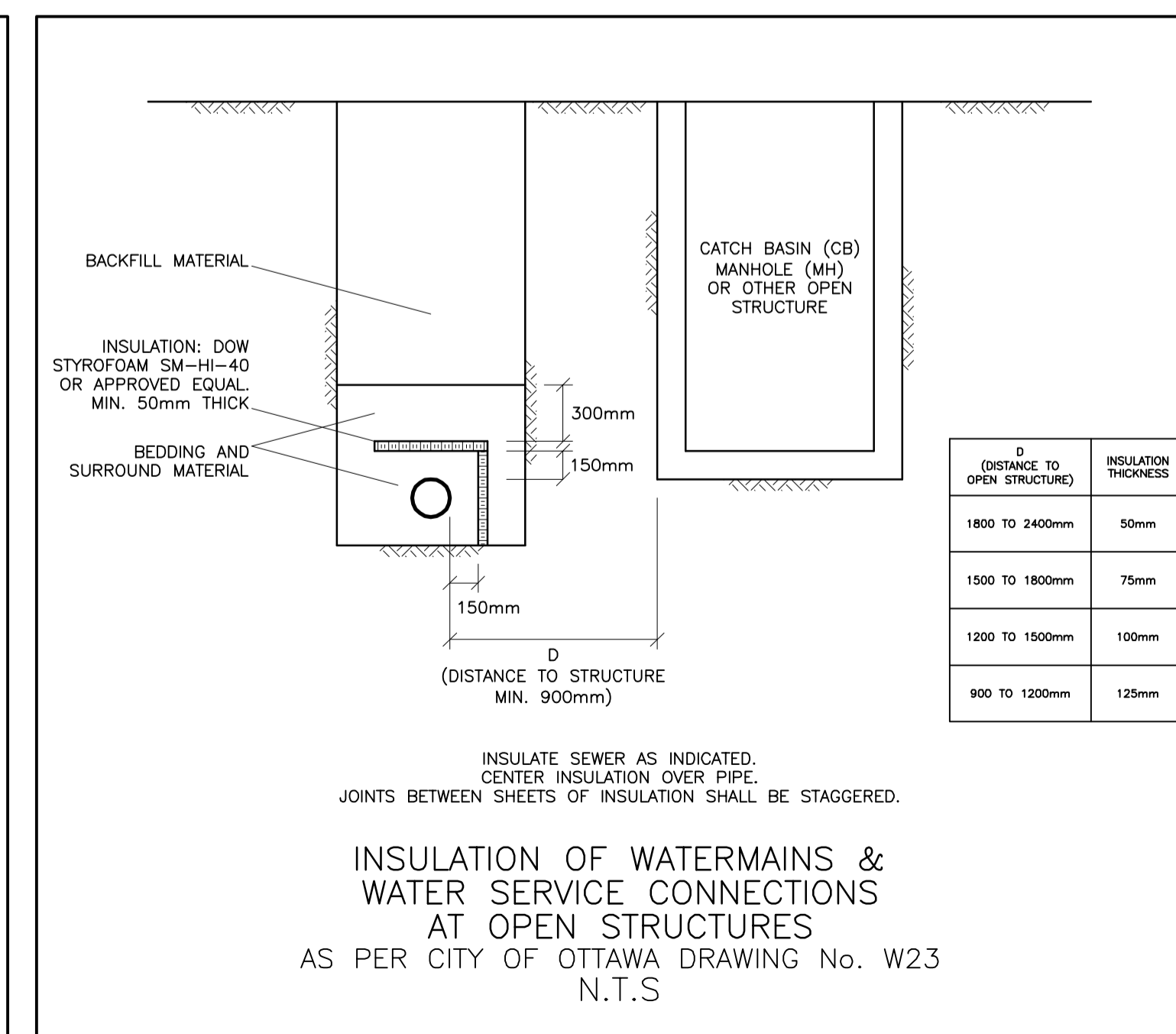
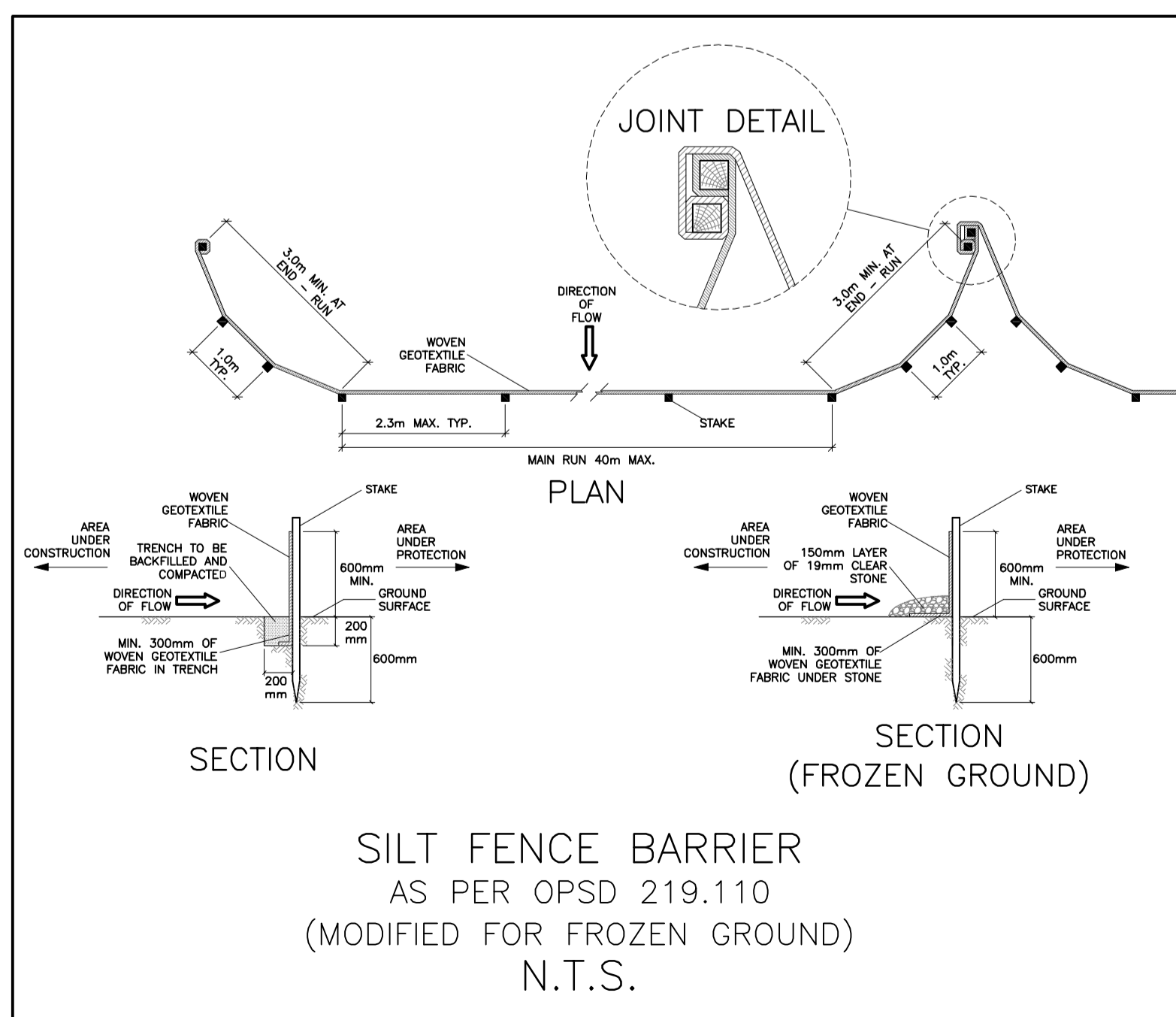
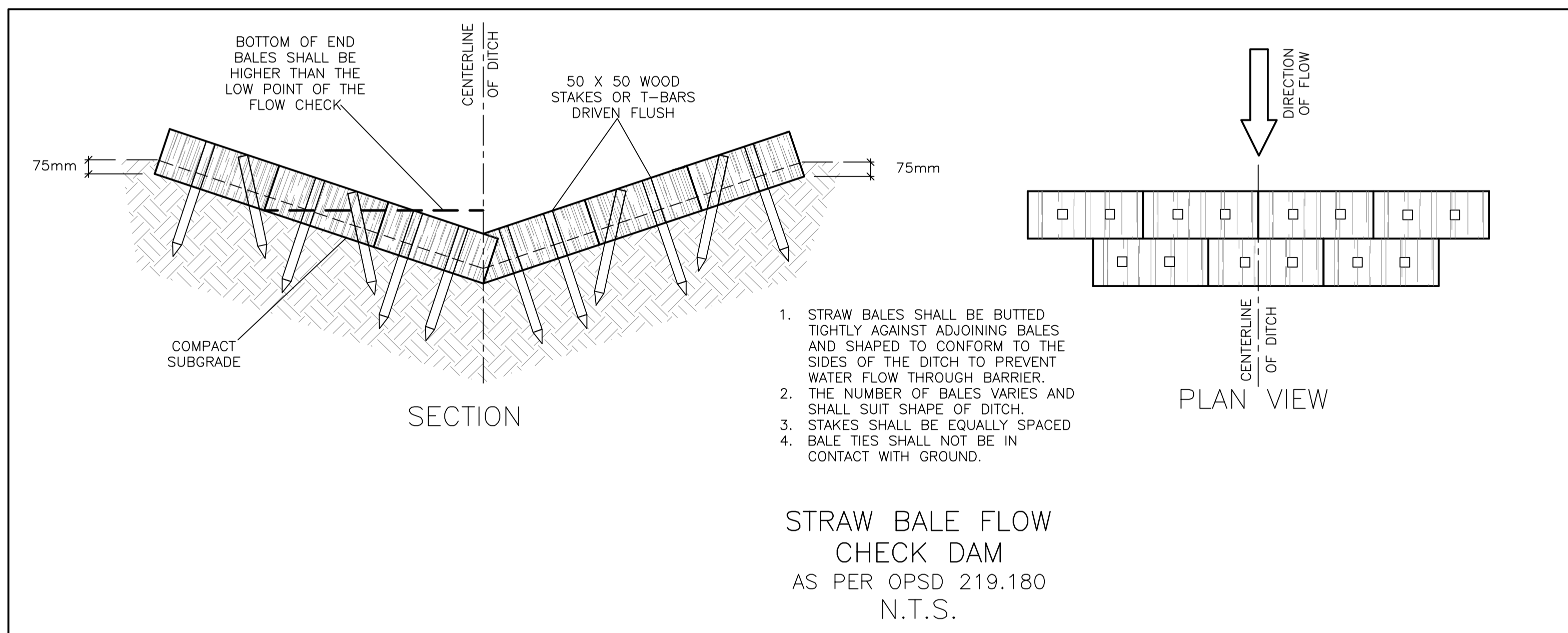
DRAINAGE & RAIL SAFETY DITCH SECTION A-A N.T.S



CATCH BASIN & MANHOLE SCHEDULE

(SUBMIT SHOP DRAWINGS OF ALL CATCH BASINS & MANHOLES TO ENGINEER FOR APPROVAL)

REF	TOP	SIZE	TYPE	INVERT AT INLET	INVERT AT OUTLET	NOTES
STORM SEWER						
CB-1	82.12	600mm x 600mm	PRECAST CONCRETE CATCH-BASIN	-	81.27	TO OPSD 705.010 & CITY OF OTTAWA STANDARDS - FRAME & COVER TO CITY OF OTTAWA DRAWING No. S19
CB-2	81.84	600mm x 600mm	PRECAST CONCRETE CATCH-BASIN	-	80.47	TO OPSD 705.010 & CITY OF OTTAWA STANDARDS - FRAME & COVER TO CITY OF OTTAWA DRAWING No. S19
CB-3	82.06	600mm x 600mm	PRECAST CONCRETE CATCH-BASIN	-	80.45	TO OPSD 705.010 & CITY OF OTTAWA STANDARDS - FRAME & COVER TO CITY OF OTTAWA DRAWING No. S19
CB/MH-4	82.90	1200mm	PRECAST CONCRETE CATCH-BASIN/MANHOLE	-	80.26	TO OPSD 701.010 & CITY OF OTTAWA STANDARDS - FRAME & COVER TO CITY OF OTTAWA DRAWING No. S25 & S28.1 OR OPSD 401.010
CB/MH-4A	82.49	1200mm	PRECAST CONCRETE CATCH-BASIN/MANHOLE	80.15(SW)	80.14(NE)	TO OPSD 701.010 & CITY OF OTTAWA STANDARDS - FRAME & COVER TO CITY OF OTTAWA DRAWING No. S25 & S28.1 OR OPSD 401.010
MH-5	82.20	CDS PMSU2015-4	OIL & GRIT SEPARATOR (OGS) PRECAST CONCRETE MANHOLE	80.01(SW)	79.98(E)	TO OPSD 701.010 & CITY OF OTTAWA STANDARDS EXCEPT WITH A DEEP SUMP AS REQUIRED BY CDS
CB/MH-6	82.27	1200mm	PRECAST CONCRETE CATCH-BASIN/MANHOLE	79.92(W)	79.86(SE)	TO OPSD 701.010 & CITY OF OTTAWA STANDARDS - FRAME & COVER TO CITY OF OTTAWA DRAWING No. S25 & S28.1 OR OPSD 401.010
CB/MH-7	79.70	1500mm	PRECAST CONCRETE CATCH-BASIN/MANHOLE	-	78.05	TO OPSD 701.010 & CITY OF OTTAWA STANDARDS - FRAME & COVER TO CITY OF OTTAWA DRAWING No. S25 & S24.1 OR OPSD 401.010
MH-7A	80.38	1200mm	PRECAST CONCRETE MANHOLE	77.78(SW)	77.77(NE)	TO OPSD 701.010 & CITY OF OTTAWA STANDARDS - FRAME & COVER TO CITY OF OTTAWA DRAWING No. S25 & S24.1 OR OPSD 401.010
CB/MH-8	80.45	1500mm	PRECAST CONCRETE CATCH-BASIN/MANHOLE	79.75(SW)	77.33(E)	TO OPSD 701.010 & CITY OF OTTAWA STANDARDS - FRAME & COVER TO CITY OF OTTAWA DRAWING No. S25 & S24.1 OR OPSD 401.010
DI-9	82.34	600mm x 600mm	PRECAST CONCRETE DITCH INLET	-	UNKNOWN	TO OPSD 705.030 & CITY OF OTTAWA STANDARDS - GRATE TO OPSD 403.010 3:1 SLOPE
SANITARY SEWER						
MH-SA.1	82.18	1200mm	PRECAST CONCRETE MANHOLE	-	79.33	TO OPSD 701.010 & CITY OF OTTAWA STANDARDS - FRAME & COVER TO CITY OF OTTAWA DRAWING No. S25 & S24 OR OPSD 401.010
MH-SA.2	83.27	1200mm	PRECAST CONCRETE MANHOLE	78.74(NE)	78.71(W)	TO OPSD 701.010 & CITY OF OTTAWA STANDARDS - FRAME & COVER TO CITY OF OTTAWA DRAWING No. S25 & S24 OR OPSD 401.010
MH-SA.3	83.24	1200mm	PRECAST CONCRETE MANHOLE	78.65(E) ±78.61(S)	±78.60(N)	TO OPSD 701.010 & CITY OF OTTAWA STANDARDS - FRAME & COVER TO CITY OF OTTAWA DRAWING No. S25 & S24 OR OPSD 401.010



No.	DATE	REVISION
3	JUL 8-24	RE-ISSUED FOR APPROVAL
2	DEC 11-23	RE-ISSUED FOR APPROVAL
1	JUN 29-23	ISSUED FOR APPROVAL

D. B. GRAY ENGINEERING INC.
 Stormwater Management - Grading & Drainage - Storm & Sanitary Sewers - Watermain
 700 Long Point Circle 613-425-8044
 Ottawa, Ontario d.gray@dbgrayengineering.com

Project: **PROPOSED 7 LOT DEVELOPMENT**
2009-2013 PRINCE OF WALES DR
 OTTAWA, ONTARIO

DETAILS & SCHEDULES

Engineer's Seal:

Not Valid Unless Signed & Dated

Drawn: D.B.G.
 H. Scale: 1:300
 V. Scale:
 Date: JUN 29-23
 Job No.: 22055

Drawing No.: **C-6**
 of 7

D02-02-23-0061 & D07-16-23-0009