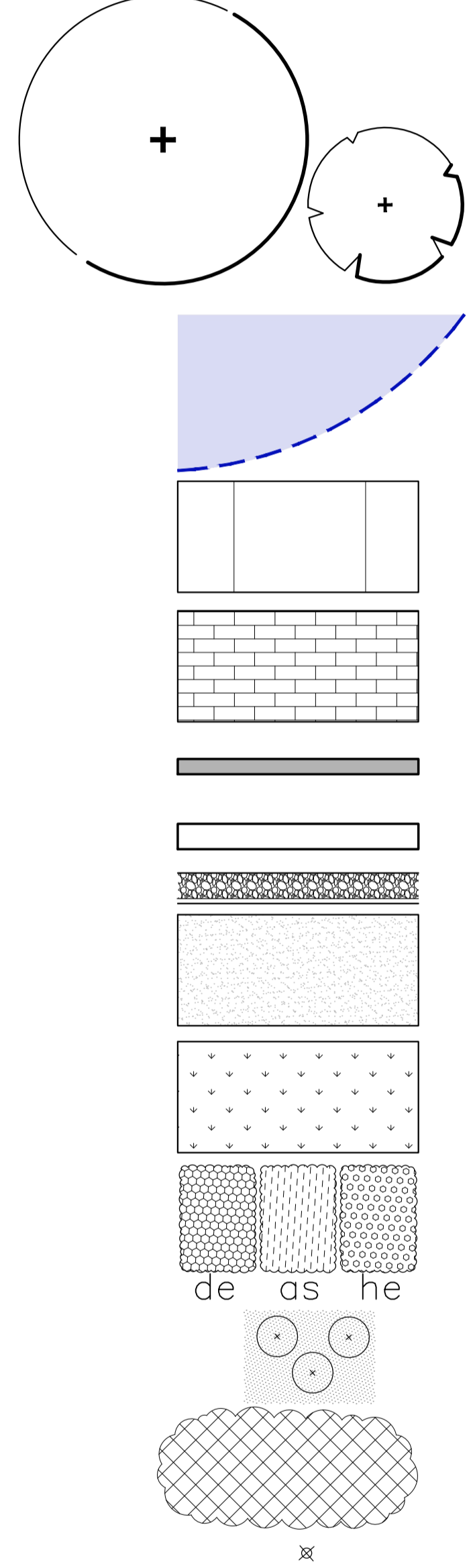
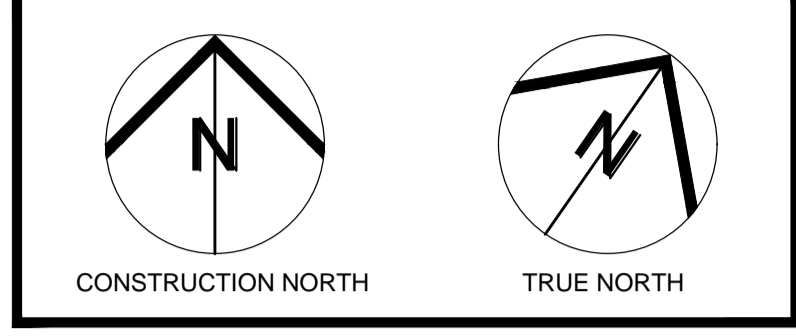


SYM.	BOTANICAL NAME	COMMON NAME	QTY.	SIZE	REMARKS	NATIVE
PLANT LIST						
LARGE DECIDUOUS TREES						
AR	ACER RUBRUM	RED MAPLE	3	70mm CAL.	B&B / W.B.	YES
UM	ULMUS 'MORTON'	ACCOLADE ELM	1	70mm CAL.	B&B / W.B.	NO
SMALL DECIDUOUS TREES						
QP	QUERCUS PALUSTRIS 'GREEN PILLAR'	GREEN PILLAR OAK (columnar)	3	50mm CAL.	B&B / W.B.	NO
SHRUBS						
Ca	CLETHRA ALNIFOLIA 'HUMMINGBIRD'	SWEET PEPPERBUSH	7	2 GAL.	1000 C/C	NO
Hp	HYDRANGEA PANICULATA	PANICLE HYDRANGEA 'LITTLE HOT'	3	2 GAL.	1000 C/C	NO
Sj	SPIRAEA JAPONICA 'FLAMING MOUND'	FLAMING MOUND SPIREA	6	2 GAL.	1000 C/C	NO
Sv	SYRINGA X HYACINTHIFLORA EXCEL	EXCEL LILAC	3	1500mm		NO
PERENNIALS / ORNAMENTAL GRASSES						
as	ASTILBE ARENDsii 'CATTLEYA'	FALSE SPIREA PINK	44	1 GAL.	600 C/C	NO
de	DESCHAMPSIA FLEXUOSA	WAVY HAIR GRASS	25	1 GAL.	600 C/C	YES
gr	GERANIUM X ROZANNE	ROZANNE CRANESBILL	13	1 GAL.	500 C/C	NO
he	HEMEROCALLIS 'ALWAYS AFTERNOON'	DAYLILLY ALWAYS AFTERNOON PURPLE	36	1 GAL.	600 C/C	NO



No	REVISION / ÉMISSION/RÉVISION	DATE
10	REISSUED FOR SITE PLAN APPROVAL	26/07/24
9	RE-ISSUED FOR ZONING BY-LAW AMENDMENT	16/07/24
8	ISSUED FOR SPA RESUBMISSION	11/04/24
7	ISSUED FOR SPA RESUBMISSION	12/03/24
6	RESPONSE TO REVIEW COMMENTS	22/01/24
5	REISSUED FOR SPA	24/10/23
4	ISSUED FOR SPA	18/05/23
3	ISSUED FOR RE-ZONING	12/05/23
2	ISSUED FOR RE-ZONING	20/04/23
1	ISSUED FOR RE-ZONING	18/01/23

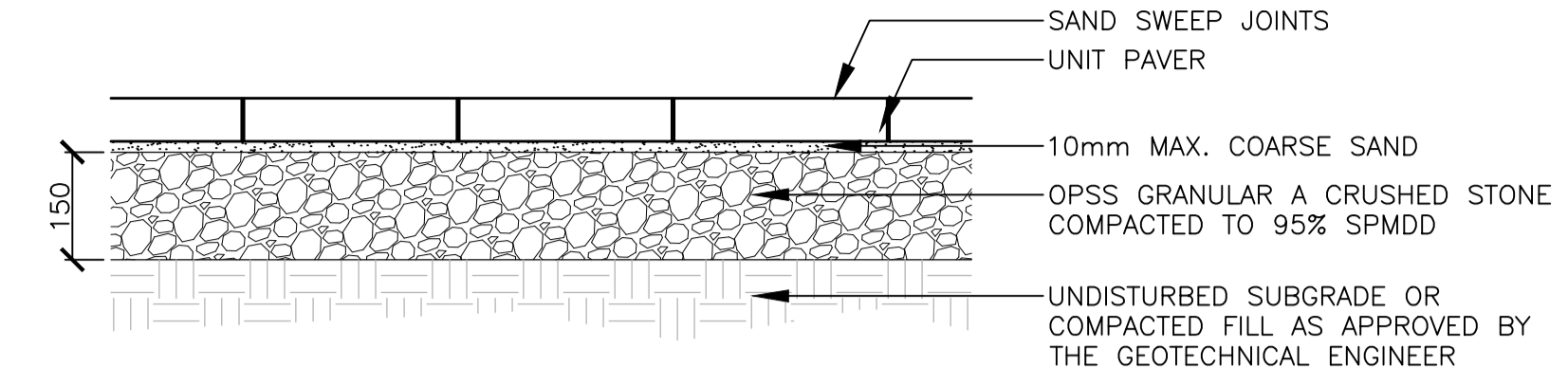
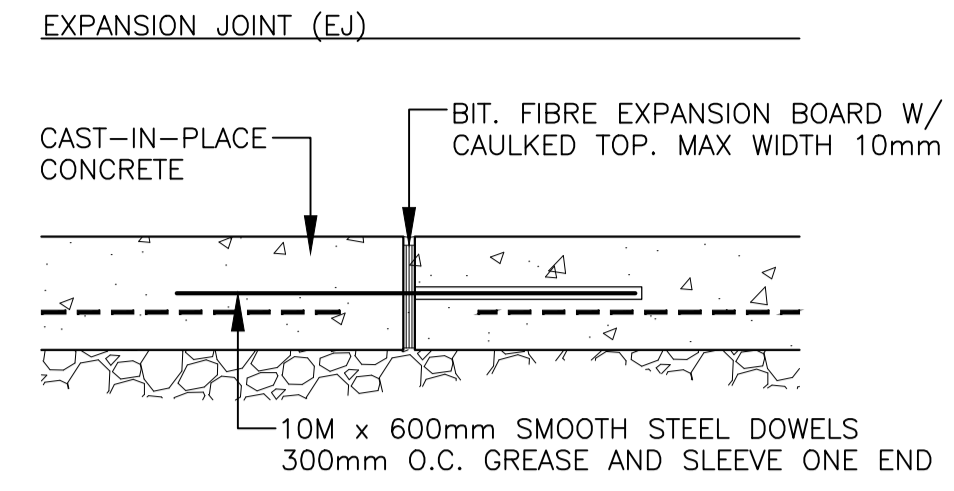
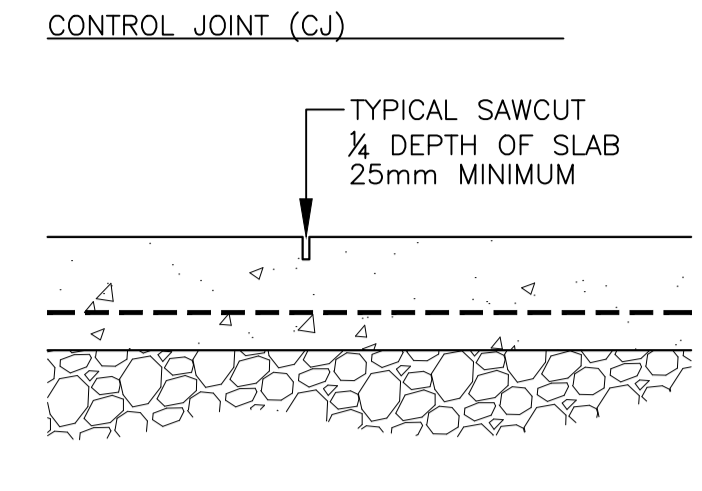
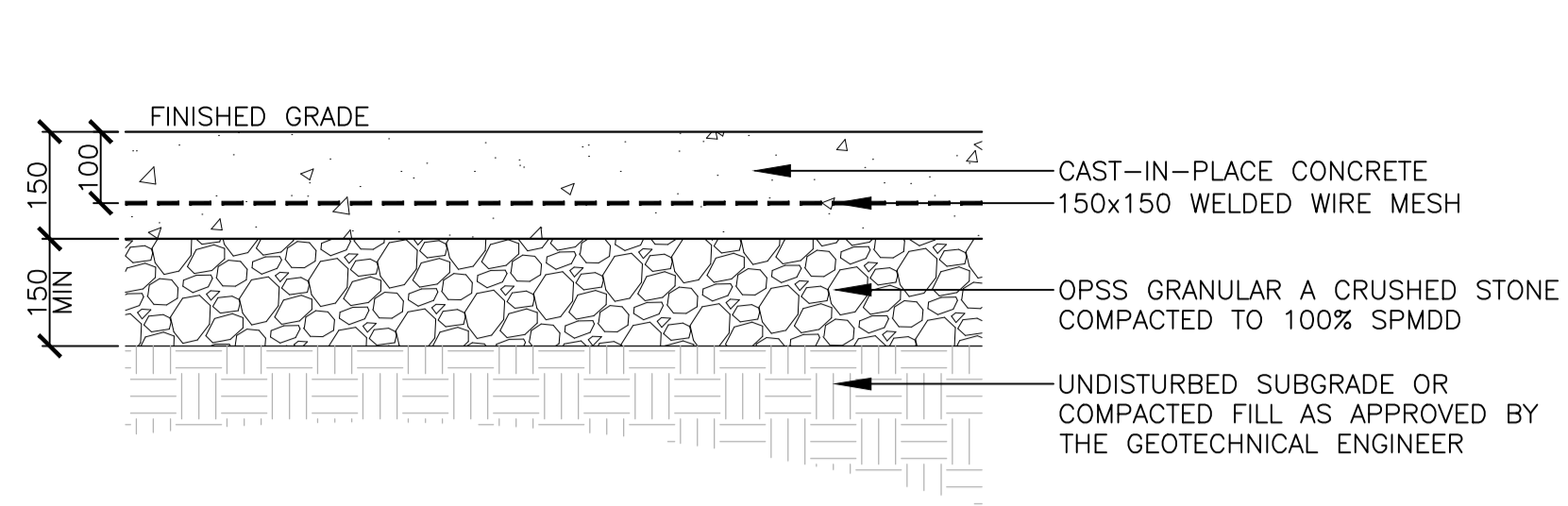


PROJECT NAME / NOM DU PROJET
Taite Residence
 121 Brae Cres, Stittsville, ON K2S 1P1

DRAWING TITLE / TITRE DU DESSIN
LANDSCAPE LAYOUT

JOB No	N° DE PROJET	DATE	DATE
2157-01		JAN 2023	
SCALE	ECHELLE	PRINTING SCALE/ÉCHELLE D'IMPRESSION	
1:100			
CONCEPTION BY	CONÇUS PAR	IF THIS BAR IS NOT 25mm LONG, ADJUST YOUR PRINTING SCALE.	
SM			
DRAWN BY	DESSINÉ PAR	SI CETTE LIGNE NE MESURE PAS 25mm, AJUSTEZ VOTRE ÉCHELLE D'IMPRESSION.	
SW			
CHECKED BY	VÉRIFIÉ PAR		
SM			

ARCHITECT'S STAMP / ASSOCIATION OF LANDSCAPE ARCHITECTS OF ONTARIO (ALAO) MEMBER
 DRAWING No / DESSIN N°
L1.0
 REVISION No / RÉVISION N°
 0



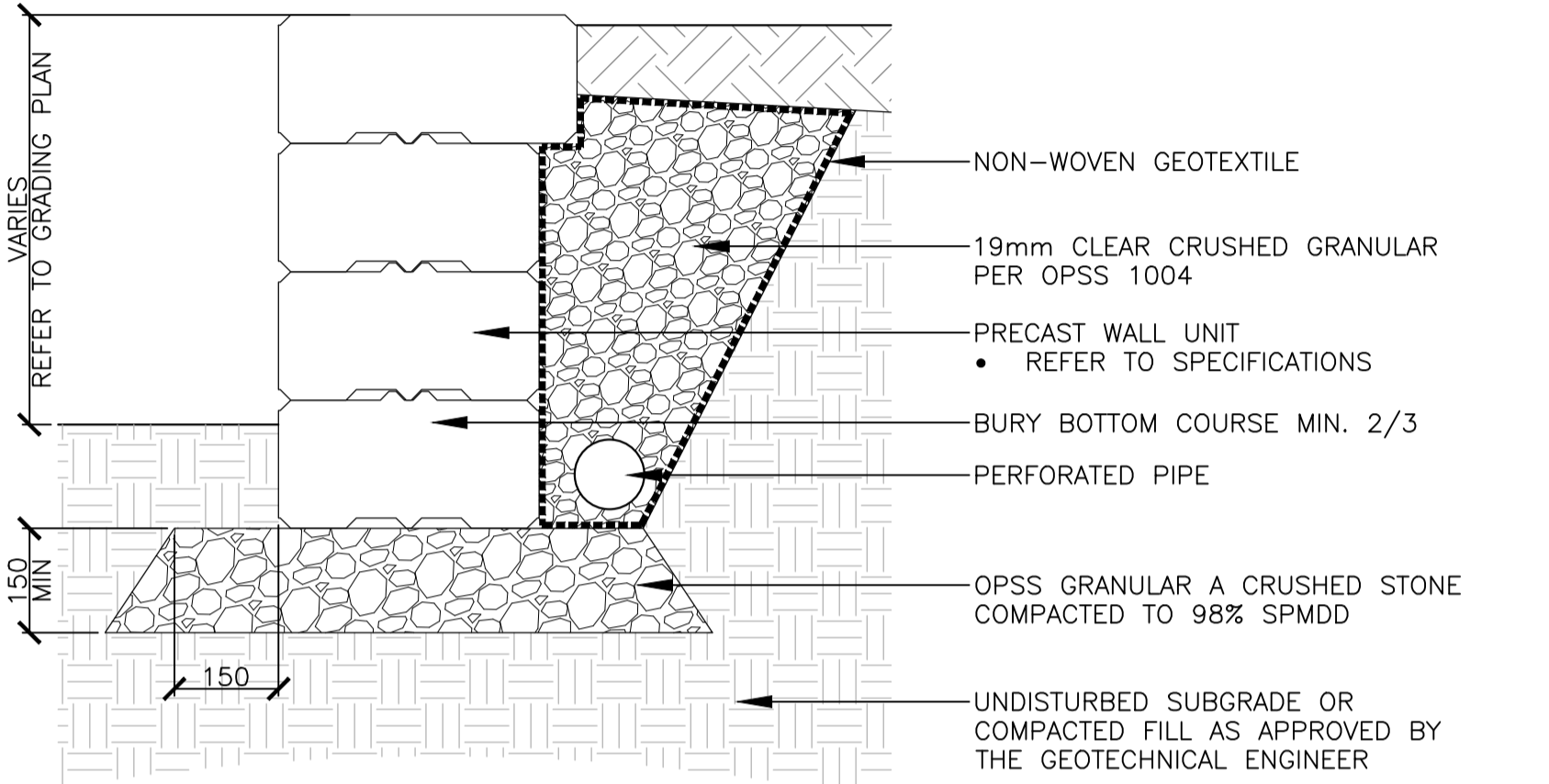
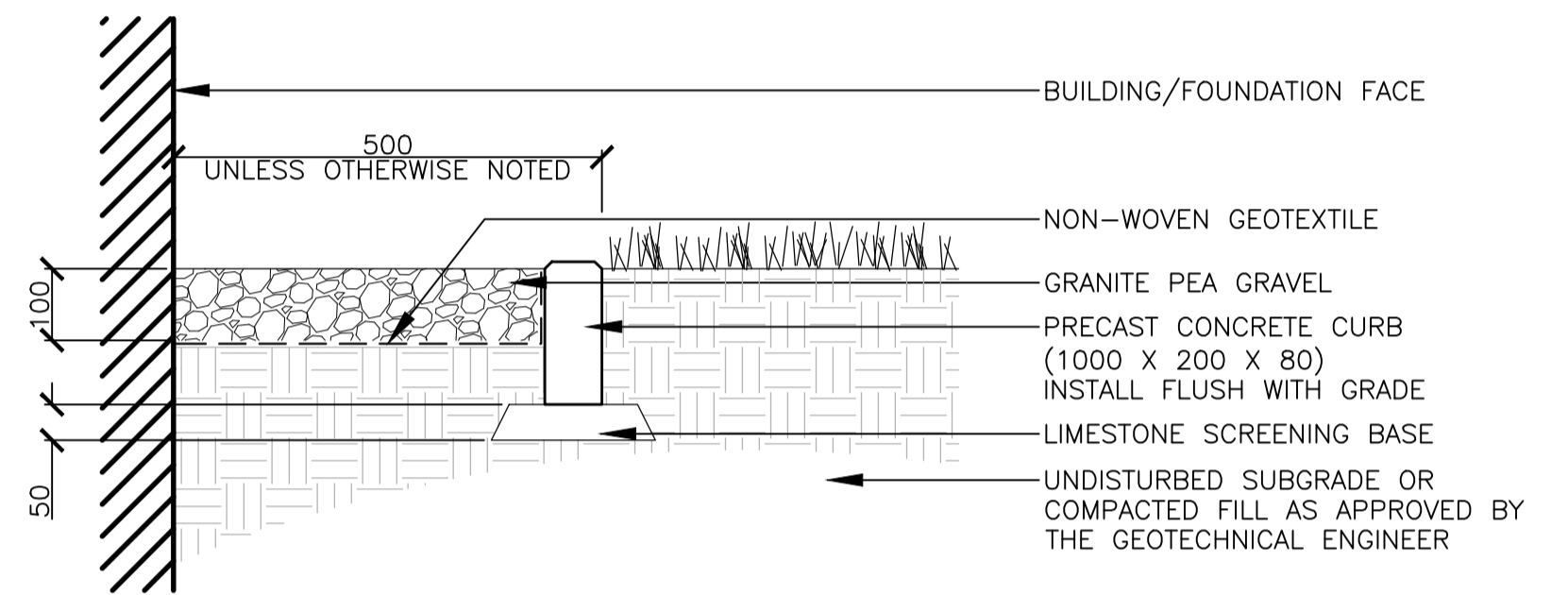
NOTES:
 1. REFER TO DRAWINGS FOR JOINT LAYOUT
 2. SAWCUT WITHIN 48 HOURS OF POUR
 3. NO TOOLED EDGES

NOTES :
 1. REFER TO DRAWINGS FOR JOINT LAYOUT
 2. ALL STEEL DOWELS TO BE EPOXY - COATED
 3. NO TOOLED EDGES

1 CONCRETE PAVING 1:10

2 CONCRETE JOINTS 1:10

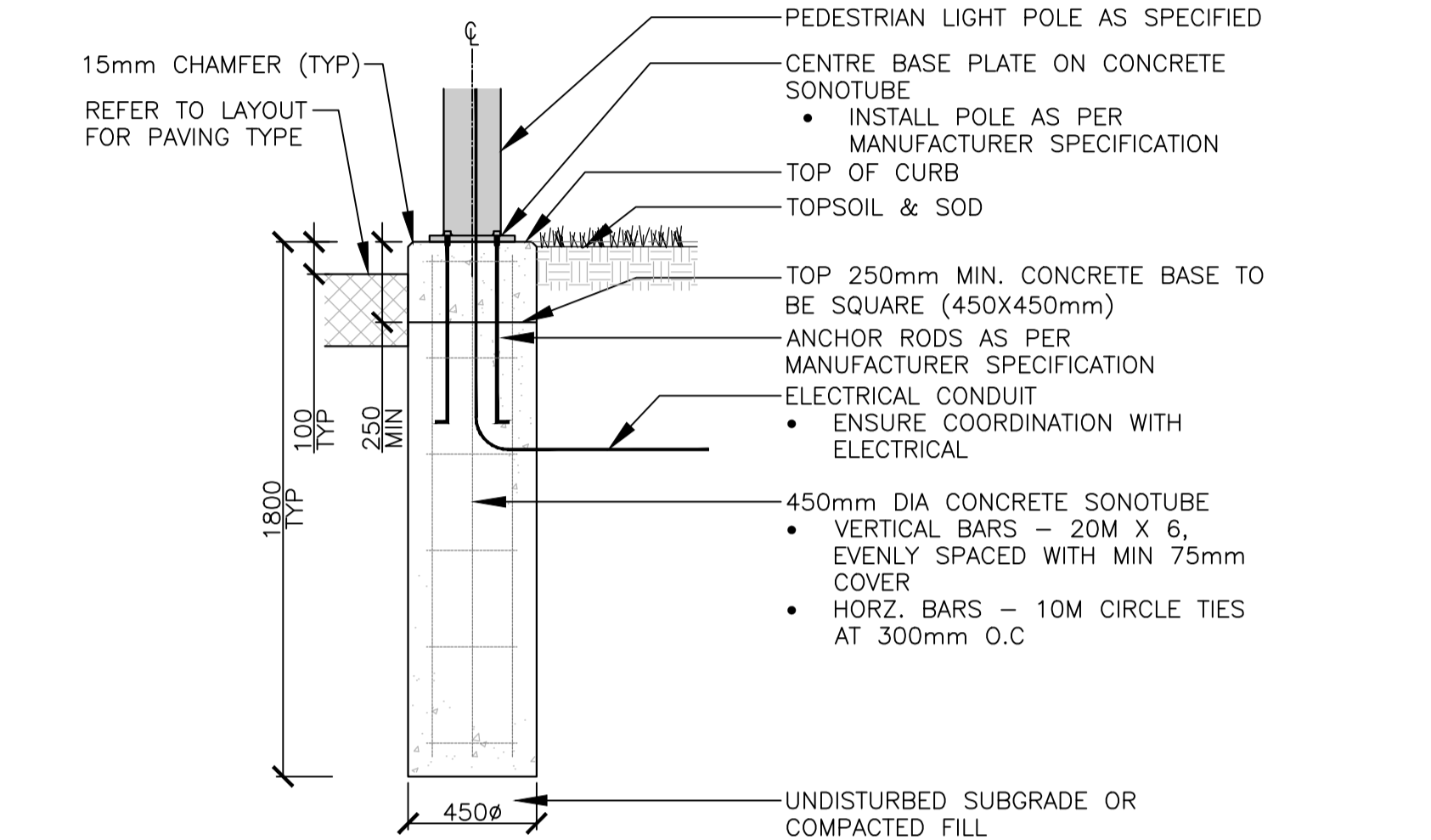
3 UNIT PAVING 1:10



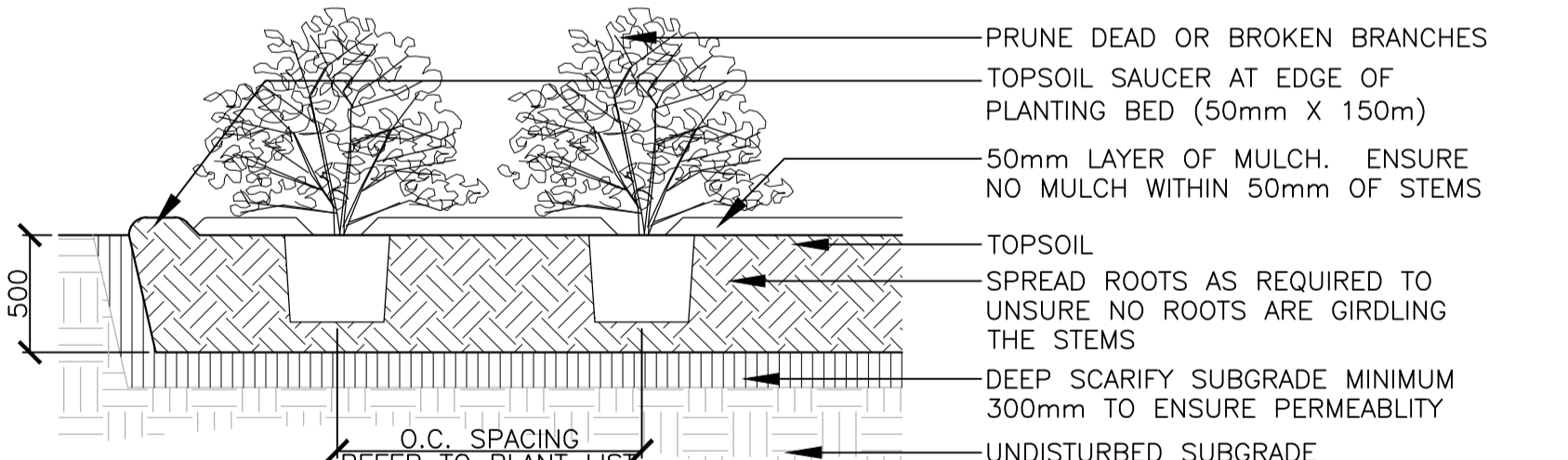
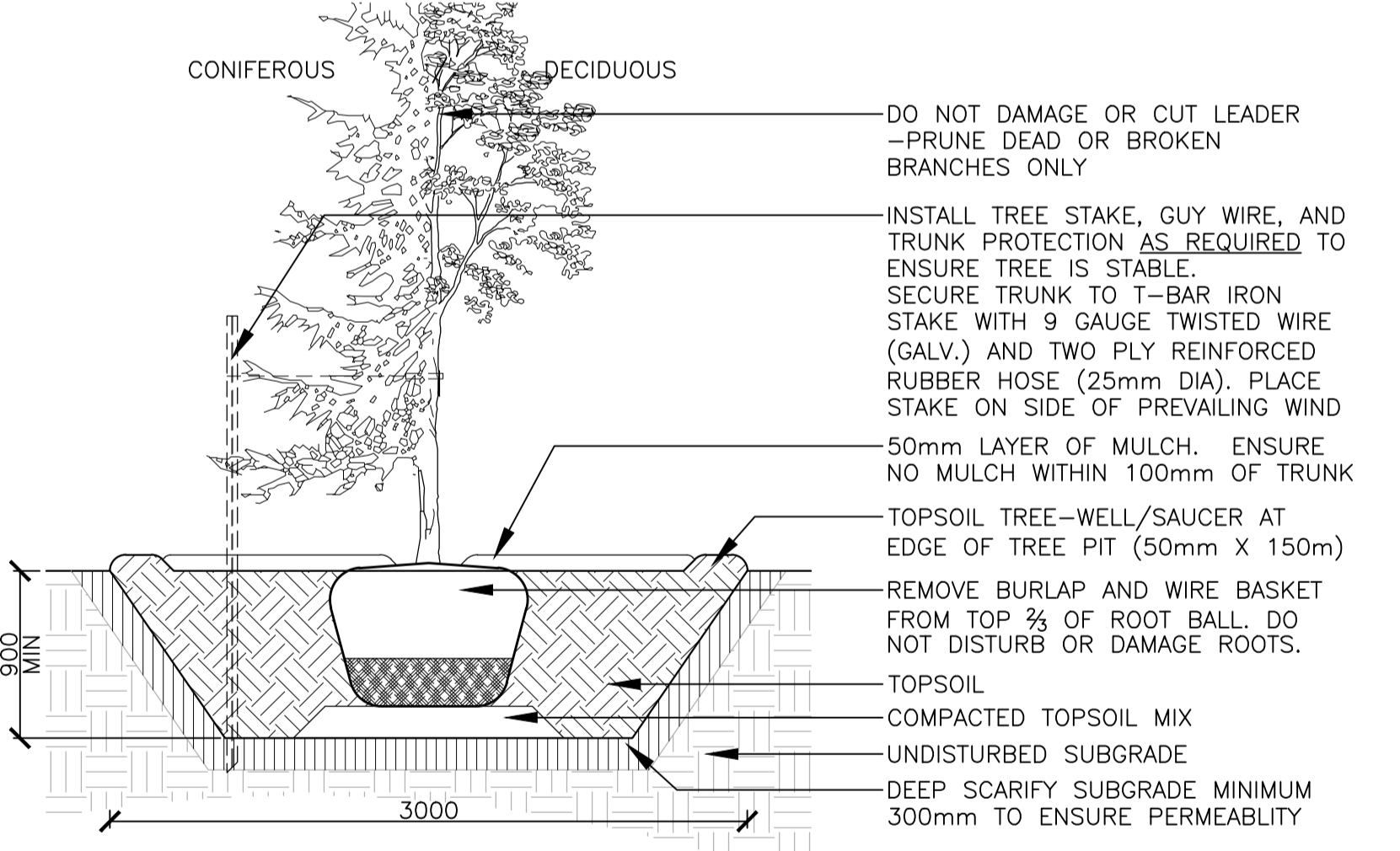
NOTES:
 • INSTALL EXPANSION JOINT BETWEEN WALL AND ANY ADJACENT CONCRETE PAVING
 • CONTRACTOR TO SUBMIT ENGINEER STAMPED SHOP DRAWINGS FOR APPROVAL PRIOR TO INSTALL

4 MAINTENANCE EDGE 1:10

5 PRECAST RETAINING WALL 1:10



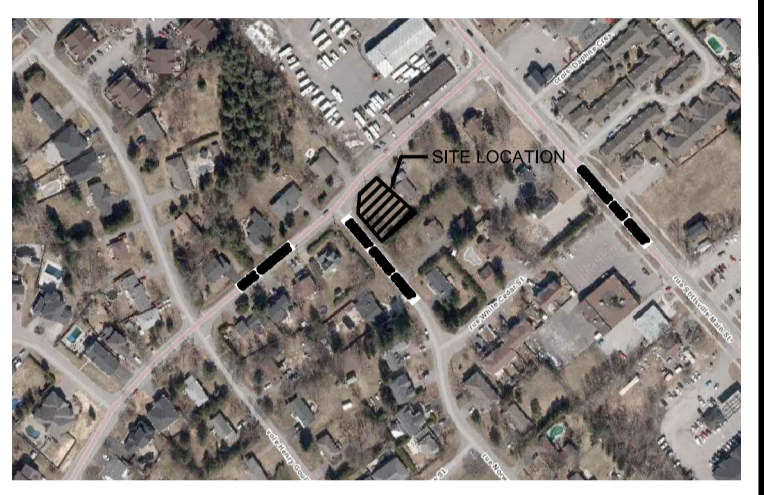
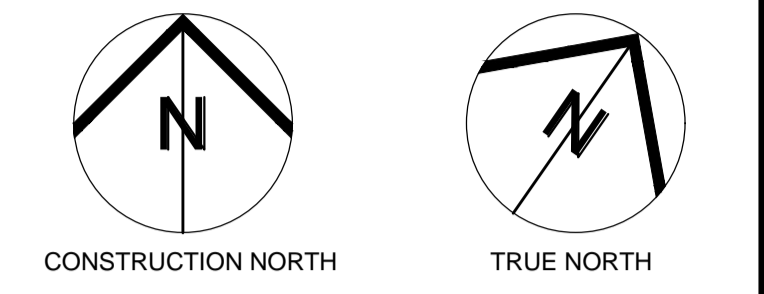
6 PEDESTRIAN LIGHT 1:20



NOTES:
 • TOP OF ROOT BALL TO RETAIN SAME ELEVATION AS GROWING CONDITIONS

7 TREE PLANTING N.T.S.

8 SHRUB PLANTING N.T.S.



9	REISSUED FOR SITE PLAN APPROVAL	26/07/24
8	ISSUED FOR SPA RESUBMISSION	11/04/24
7	ISSUED FOR SPA RESUBMISSION	12/03/24
6	RESPONSE TO REVIEW COMMENTS	22/01/24
5	REISSUED FOR SPA	24/10/23
4	ISSUED FOR SPA	18/05/23
3	ISSUED FOR RE-ZONING	12/05/23
2	ISSUED FOR RE-ZONING	20/04/23
1	ISSUED FOR RE-ZONING	18/01/23
No	ISSUE/REVISION	DATE
Nº	ÉMISSION/RÉVISION	DD/MM/YY

BRYDEN GIBSON
 ARCHITECTS INCORPORATED
 1066 Somerset Street West, Suite 200, Ottawa Ontario, K1Y 4T3
 Telephone: 613.724.9914 E-mail: architecture@brydengibson.ca

PROJECT NAME / NOM DU PROJET
Taite Residence
 121 Brae Cres, Stittsville, ON K2S 1P1

DRAWING TITLE / TITRE DU DESSIN
LANDSCAPE DETAILS

JOB No 2157-01	N° DE PROJET	DATE JAN 2023	DATE
SCALE AS NOTED	ECHELLE	PRINTING SCALE/ ECHELLE D'IMPRESSION	
CONCEPTION BY SW	CONÇUS PAR	IF THIS BAR IS NOT 25mm LONG, ADJUST YOUR PRINTING SCALE.	
DRAWN BY SW	DESSINÉ PAR	SI CETTE LIGNE NE MESURE PAS 25mm, AJUSTER VOTRE ECHELLE D'IMPRESSION.	
CHECKED BY JC	VÉRIFIÉ PAR		

ARCHITECT'S STAMP / ASSOCIATION OF LANDSCAPE ARCHITECTS OF ONTARIO
 DRAWING No / DESSIN N°
L2.0
 REVISION No / RÉVISION N°
 0

All rights reserved. No part of this drawing may be reproduced, stored in a retrieval system, or transmitted in any form or by any means, electronic, mechanical, photocopying, recording, or by any information storage and retrieval system, without the prior written permission of the architect.