

3095 POLLADIUM DR, OTTAWA ONTARIO  
 BUILDINGS A, B, C, D, E, F.  
 POLE MOUNT TYPES ZL-1, ZL-2

# OSQ Series

OSQ™ LED Area/Flood Luminaire featuring Cree TrueWhite® Technology – Medium & Large

Rev. Date: V6 05/31/2022

## Product Description

The OSQ™ Area/Flood luminaire blends extreme optical control, advanced thermal management and modern, clean aesthetics. Built to last, the housing is rugged cast aluminum with an integral, weathertight LED driver compartment. Versatile mounting configurations offer simple installation. Its slim, low-profile design minimizes wind load requirements and blends seamlessly into the site providing even, quality illumination. The 6L lumen package is a suitable upgrade for HID applications up to 250 Watt, and the 11L lumen package is a suitable upgrade for HID applications up to 400 Watt. The 22L lumen package is a suitable upgrade for HID applications up to 750 Watts, and the 30L lumen package is a suitable upgrade for HID applications up to 1000 Watts.

**Applications:** Parking lots, walkways, campuses, car dealerships, office complexes, tunnels, underpasses, and internal roadways

## Performance Summary

Utilizes Cree TrueWhite® Technology on 5000K Luminaires

NanoOptic® Precision Delivery Grid™ optic

Assembled in the USA by Cree Lighting from US and imported parts

**Initial Delivered Lumens:** 4,000 - 30,000

**Efficacy:** Up to 173 LPW

**CRI:** Minimum 70 CRI (3000K, 4000K & 5700K); 90 CRI (5000K)

**CCT:** 3000K, 4000K, 5000K, 5700K

**Limited Warranty\*:** 10 years on luminaire; 10 years on Colorfast DeltaGuard® finish; up to 5 years for Synapse® accessories; 1 year on luminaire accessories

\* See <http://creelighting.com/warranty> for warranty terms. For Synapse accessories, consult Synapse spec sheets for details on warranty terms.

## Ordering Information

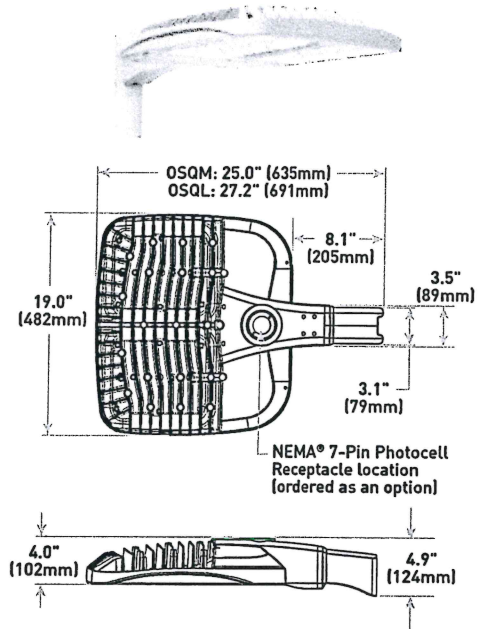
Fully assembled luminaire is composed of two components that must be ordered separately:

Example: Mount: OSQ-ML-B-AA-BK + Luminaire: OSQM-B-4L-30K7-2M-UL-NM-BK

Mount (Luminaire must be ordered separately)*		Color Options:	
OSQ-		SV Silver	BZ Bronze
OSQ-ML-B-AA Adjustable Arm		BK Black	WH White
OSQ-ML-B-DA Direct Arm			
OSQ-ML-B-TSP Transportation Mount (stainless steel; do not specify color)			
OSQ-ML-B-TM Trunnion Mount			

\* Reference EPA and pole configuration suitability data beginning on page 10

## OSQ-ML-B-DA Mount



Luminaire	Weight
OSQM	28.9 lbs. (13.1kg)
OSQL	32.4 lbs. (14.7kg)

Note: Refer to page 11 for fixture mounting drill pattern. For additional mounts, refer to drawings beginning on page 19

Luminaire (Mount must be ordered separately)											
Family	Size	Series	Lumen Package*	CCT/CRI	Optic	Voltage	Mount	Color Options	Controls**	Options	
OSQ	M Medium L Large	B	Medium 4L 4,000 Lumens 6L 6,000 Lumens 9L 9,000 Lumens 11L 11,000 Lumens 16L 16,000 Lumens Large 22L 22,000 Lumens 30L 30,000 Lumens	30K7	3000K, 70 CRI	Asymmetric 2M*	UL Universal 120-277V	NM No Mount - Must specify mount from table above - Mount ships separately	BK Black BZ Bronze SV Silver WH White	PML Programmable Multi-Level, up to 40' Mounting Height - Refer to PML spec sheet for details - Intended for downlight applications at 0° tilt PML2 Programmable Multi-Level, 10-30' Mounting Height - Refer to PML spec sheet for details - Intended for downlight applications at 0° tilt Q9/Q8/Q7/Q6/Q5/Q4/Q3/Q2/Q1 Field Adjustable Output - Must select Q9, Q8, Q7, Q6, Q5, Q4, Q3, Q2, or Q1 - Offers full range adjustability - Refer to pages 12-18 for power and lumen values - Not available with PML or PML2 options X8/X7/X6/X5/X4/X3/X2/X1 Locked Lumen Output - Must select add X8, X7, X6, X5, X4, X3, X2, or X1 - Not available with 22L or 30L lumen packages - X2 or X1 not available with 4L lumen package - Not available with PML or PML2 options - Lumen output is permanently locked to the setting selected - Refer to pages 12-18 for power and lumen values	20KV 20KV/10KA Surge Suppression - Replaces standard 10kV/5kA surge protection F Fuse - Compatible with 120V, 277V or 347V (phase to neutral) - Consult factory if fusing is required for 208V, 240V or 480V (phase to phase) - Refer to PML spec sheet for availability with PML options R - When code dictates fusing, use time delay fuse NEMA® 7-Pin Photocell Receptacle - 7-pin receptacle per ANSI C136.41 - Intended for downlight applications with maximum 45° tilt - Factory connected 0-10V dim leads - 18" (457mm) seven-conductor cord exits luminaire - Requires photocell or shorting cap by others RL Rotate Left - LED and optic are rotated to the left - Refer to RR/RL configuration diagram on page 19 for optic directionality - Not for use with symmetric optics RR Rotate Right - LED and optic are rotated to the right - Refer to RR/RL configuration diagram on page 19 for optic directionality - Not for use with symmetric optics
				40K7	4000K, 70 CRI	Type II Medium 3M*	UH Universal 347-480V				
				70 CRI	5000K, 90 CRI	Type III Medium 4M*	- Not available with 4L or 6L lumen packages				
				57K7	5700K, 70 CRI	Type IV Medium 5N					
				5700K, 70 CRI	Symmetric 5M						
				5700K, 70 CRI	Type V Medium 5N						
		Type V Narrow 50									
		Type V Square N3									
		Narrow Flood 33									
		NEMA® 3x3 44									
		NEMA® 4x4 55									
		NEMA® 5x5 66									
	NEMA® 6x6 75										
	NEMA® 7x5										

\* Lumen Package codes identify approximate light output only. Actual lumen output levels vary by CCT and optic selection. Refer to Initial Delivered Lumen tables for specific lumen values

\*\* Available with Backlight Shield when ordered with field-installed accessory (see table on page 2)

\*\* Luminaire comes standard with 0-10V dimming



US: [creelighting.com](http://creelighting.com) (800) 236-6800

Canada: [creelighting-canada.com](http://creelighting-canada.com) (800) 473-1234

**CREE LIGHTING**

3095 PALLADIUM DR. OTTAWA ONTARIO  
 BUILDINGS A, B, C, D, E, F.  
 WALL MOUNT TYPES WL-1

# XSP Series

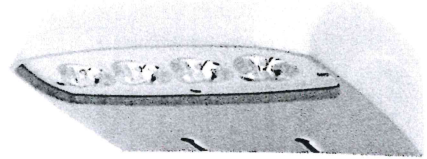
XSPW™ LED Wall Mount Luminaire featuring Cree TrueWhite® Technology

Rev. Date: VersionB V6 08/03/2022

## Product Description

The XSPW™ LED wall mount luminaire has a slim, low profile design intended for outdoor wall mounted applications. The rugged lightweight aluminum housing and mounting box are designed for installation over standard single gang J-Boxes and mud ring single gang J-Boxes. The luminaire allows for through-wired or conduit entry from the top, bottom, sides and rear. The housing design is intended specifically for LED technology including a weathertight LED driver compartment and thermal management. Optic design features industry-leading NanoOptic® Precision Delivery Grid™ system in multiple distributions.

**Applications:** General area and security lighting



## Performance Summary

NanoOptic® Precision Delivery Grid™ optic

Assembled in the USA by Cree Lighting from US and imported parts

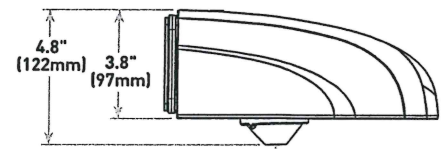
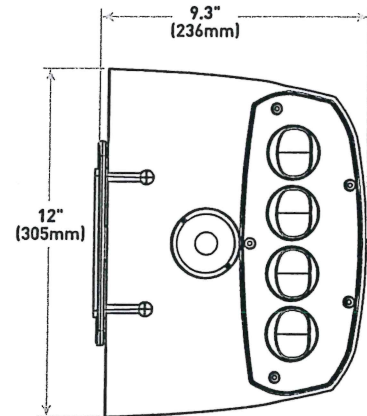
**Initial Delivered Lumens:** Up to 8,475

**CRI:** Minimum 70 CRI (3000K, 4000K & 5700K); 90 CRI (5000K)

**CCT:** 3000K, 4000K, 5000K, 5700K

**Limited Warranty\*:** 10 years on luminaire/10 years on Colorfast DeltaGuard® finish/up to 5 years for Synapse® accessories/1 year on accessories

\* See <http://creeighting.com/warranty> for warranty terms



Multi-Level Sensor location (ordered as an option)

## Accessories

Field-Installed	
<b>Beauty Plate</b> WM-PLT12** - 12" (305mm) Square WM-PLT14** - 14" (356mm) Square - Covers holes left by incumbent wall packs <b>Synapse® SimplySnap 10V Interface</b> DIM10-220F - 120V-277V - Requires other Synapse components to complete system - Refer to DIM10-220F spec sheet for details	<b>Hand-Held Remote</b> XA-SENSREM - For successful implementation of the programmable multi-level option, a minimum of one hand-held remote is required

\*\* Must specify color

Lumen Package	Weight
2L, 4L, 6L	11.0 lbs. (5.0kg)
8L	11.8 lbs. (5.4kg)

## Ordering Information

Example: XSPW-B-WM-2ME-2L-30K-UL-BK

XSPW	B	WM						
Product	Version	Mounting	Optic	Lumen Package*	CCT	Voltage	Color Options	Options
XSPW	B	WM Wall	2ME Type II Medium 3ME Type III Medium 4ME Type IV Medium	2L 2,490 lumens 4L 4,270 lumens 6L 6,100 lumens 8L 8,475 lumens	30K 3000K - 70 CRI 40K 4000K - 70 CRI 50K 5000K - 90 CRI 57K 5700K - 70 CRI	UL Universal 120-277V UH Universal 347-480V 34 347V - For use with P option only	BK Black BZ Bronze SV Silver WH White	<b>ML Multi-Level</b> - Refer to ML spec sheet for details - Available with UL voltage only <b>P Button Photocell</b> - Not available with ML or PML options - Available with UL and 34 voltages only <b>PML Programmable Multi-Level</b> - Refer to PML spec sheet for details - Available with UL voltage only

\* Lumen Package selection codes identify approximate light output only. Actual lumen output levels may vary depending on CCT and optic selection. Refer to Initial Delivered Lumen tables for specific lumen values



US: [creeighting.com](http://creeighting.com) (800) 236-6800

Canada: [creeighting-canada.com](http://creeighting-canada.com) (800) 473-1234

**CREE LIGHTING**

3095 POLLADIUM DR, OTTAWA ONTARIO  
 HALO CAR WASH  
 POLE MOUNT TYPES A, A2, A3, B.

# OSQ Series

OSQ™ LED Area/Flood Luminaire featuring Cree TrueWhite® Technology – Medium & Large

Rev. Date: V6 05/31/2022

## Product Description

The OSQ™ Area/Flood luminaire blends extreme optical control, advanced thermal management and modern, clean aesthetics. Built to last, the housing is rugged cast aluminum with an integral, weathertight LED driver compartment. Versatile mounting configurations offer simple installation. Its slim, low-profile design minimizes wind load requirements and blends seamlessly into the site providing even, quality illumination. The 6L lumen package is a suitable upgrade for HID applications up to 250 Watt, and the 11L lumen package is a suitable upgrade for HID applications up to 400 Watt. The 22L lumen package is a suitable upgrade for HID applications up to 750 Watts, and the 30L lumen package is a suitable upgrade for HID applications up to 1000 Watts.

**Applications:** Parking lots, walkways, campuses, car dealerships, office complexes, tunnels, underpasses, and internal roadways

## Performance Summary

Utilizes Cree TrueWhite® Technology on 5000K Luminaires

NanoOptic® Precision Delivery Grid™ optic

Assembled in the USA by Cree Lighting from US and imported parts

**Initial Delivered Lumens:** 4,000 - 30,000

**Efficacy:** Up to 173 LPW

**CRI:** Minimum 70 CRI (3000K, 4000K & 5700K); 90 CRI (5000K)

**CCT:** 3000K, 4000K, 5000K, 5700K

**Limited Warranty\*:** 10 years on luminaire; 10 years on Colorfast DeltaGuard® finish; up to 5 years for Synapse® accessories; 1 year on luminaire accessories

\* See <http://creelighting.com/warranty> for warranty terms. For Synapse accessories, consult Synapse spec sheets for details on warranty terms.

## Ordering Information

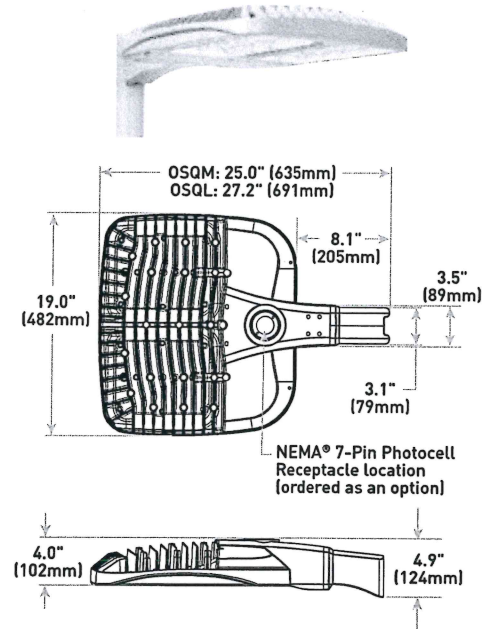
Fully assembled luminaire is composed of two components that must be ordered separately:

Example: Mount: OSQ-ML-B-AA-BK + Luminaire: OSQM-B-4L-30K7-2M-UL-NM-BK

Mount (Luminaire must be ordered separately)*	
<b>OSQ-</b>	
OSQ-ML-B-AA Adjustable Arm	Color Options: SV Silver BZ Bronze BK Black WH White
OSQ-ML-B-DA Direct Arm	
OSQ-ML-B-TSP Transportation Mount (stainless steel; do not specify color)	
OSQ-ML-B-TM Trunnion Mount	

\* Reference EPA and pole configuration suitability data beginning on page 10

## OSQ-ML-B-DA Mount



Luminaire	Weight
OSQM	28.9 lbs. (13.1kg)
OSQL	32.4 lbs. (14.7kg)

Note: Refer to page 11 for fixture mounting drill pattern. For additional mounts, refer to drawings beginning on page 19

Luminaire (Mount must be ordered separately)											
OSQ	B	Lumen Package*	CCT/CRI	Optic	Voltage	Mount	Color Options	Controls**	Options		
OSQ	M Medium L Large	Medium 4L 4,000 Lumens 6L 6,000 Lumens 9L 9,000 Lumens 11L 11,000 Lumens 16L 16,000 Lumens	30K7 3000K, 70 CRI 40K7 4000K, 70 CRI 50K9 5000K, 90 CRI 57K7 5700K, 70 CRI	Asymmetric 2M* Type II Medium 3M* Type III Medium 4M* Type IV Medium	UL Universal 120-277V UH Universal 347-480V - Not available with 4L or 6L lumen packages	NM No Mount - Must specify mount from table above - Mount ships separately	BK Black BZ Bronze SV Silver WH White	PML Programmable Multi-Level, up to 40' Mounting Height - Refer to PML spec sheet for details - Intended for downlight applications at 0° tilt PML2 Programmable Multi-Level, 10-30' Mounting Height - Refer to PML spec sheet for details - Intended for downlight applications at 0° tilt 09/08/07/06/05/04/03/02/01 Field Adjustable Output - Must select Q9, Q8, Q7, Q6, Q5, Q4, Q3, Q2, or Q1 - Offers full range adjustability - Refer to pages 12-18 for power and lumen values - Not available with PML or PML2 options X8/X7/X6/X5/X4/X3/X2/X1 Locked Lumen Output - Must select add X8, X7, X6, X5, X4, X3, X2, or X1 - Not available with 22L or 30L lumen packages - X2 or X1 not available with 4L lumen package - Not available with PML or PML2 options - Lumen output is permanently locked to the setting selected - Refer to pages 12-18 for power and lumen values	20KV 20kV/10kA Surge Suppression - Replaces standard 10kV/5kA surge protection F Fuse - Compatible with 120V, 277V or 347V (phase to neutral) - Consult factory if fusing is required for 208V, 240V or 480V (phase to phase) - Refer to PML spec sheet for availability with PML options R NEMA® 7-Pin Photocell Receptacle - 7-pin receptacle per ANSI C136.41 - Intended for downlight applications with maximum 45° tilt - 18" (457mm) seven-conductor cord exits luminaire - Requires photocell or shorting cap by others RL Rotate Left - LED and optic are rotated to the left - Refer to RR/RL configuration diagram on page 19 for optic directionality - Not for use with symmetric optics RR Rotate Right - LED and optic are rotated to the right - Refer to RR/RL configuration diagram on page 19 for optic directionality - Not for use with symmetric optics		
										Large 22L 22,000 Lumens 30L 30,000 Lumens	Narrow Flood 33 NEMA® 3x3 44 NEMA® 4x4 55 NEMA® 5x5 66 NEMA® 6x6 75 NEMA® 7x5

\* Lumen Package codes identify approximate light output only. Actual lumen output levels vary by CCT and optic selection. Refer to Initial Delivered Lumen tables for specific lumen values

\* Available with Backlight Shield when ordered with field-installed accessory (see table on page 2)

\*\* Luminaire comes standard with 0-10V dimming



US: [creelighting.com](http://creelighting.com) (800) 236-6800

Canada: [creelighting-canada.com](http://creelighting-canada.com) (800) 473-1234

**CREE LIGHTING**

3095 PALLADIUM DR. OTTAWA ONTARIO  
 HOLO CAR WASH  
 WALL MOUNTED TYPE 'D'

# XSP Series

XSPW™ LED Wall Mount Luminaire featuring Cree TrueWhite® Technology

Rev. Date: Version B V6 08/03/2022

## Product Description

The XSPW™ LED wall mount luminaire has a slim, low profile design intended for outdoor wall mounted applications. The rugged lightweight aluminum housing and mounting box are designed for installation over standard single gang J-Boxes and mud ring single gang J-Boxes. The luminaire allows for through-wired or conduit entry from the top, bottom, sides and rear. The housing design is intended specifically for LED technology including a weathertight LED driver compartment and thermal management. Optic design features industry-leading NanoOptic® Precision Delivery Grid™ system in multiple distributions.

**Applications:** General area and security lighting

## Performance Summary

NanoOptic® Precision Delivery Grid™ optic

Assembled in the USA by Cree Lighting from US and imported parts

**Initial Delivered Lumens:** Up to 8,475

**CRI:** Minimum 70 CRI (3000K, 4000K & 5700K); 90 CRI (5000K)

**CCT:** 3000K, 4000K, 5000K, 5700K

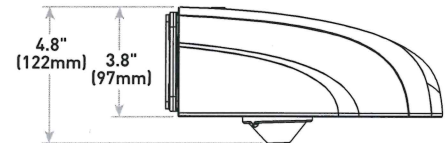
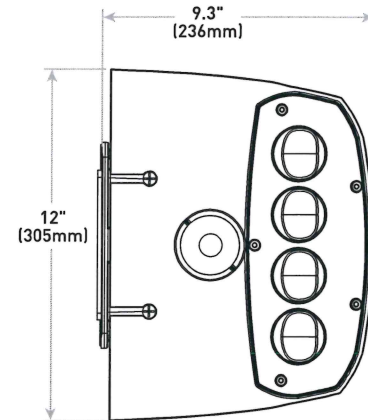
**Limited Warranty†:** 10 years on luminaire/10 years on Colorfast DeltaGuard® finish/up to 5 years for Synapse® accessories/1 year on accessories

† See <http://creeighting.com/warranty> for warranty terms

## Accessories

Field-Installed	
<b>Beauty Plate</b> WM-PLT12** - 12" (305mm) Square WM-PLT14** - 14" (356mm) Square - Covers holes left by incumbent wall packs <b>Synapse® SimplySnap 10V Interface</b> DIM10-220F - 120V-277V - Requires other Synapse components to complete system - Refer to <a href="#">DIM10-220F</a> spec sheet for details	<b>Hand-Held Remote</b> XA-SENSREM - For successful implementation of the programmable multi-level option, a minimum of one hand-held remote is required

\*\* Must specify color



Multi-Level Sensor location (ordered as an option)

Lumen Package	Weight
2L, 4L, 6L	11.0 lbs. (5.0kg)
8L	11.8 lbs. (5.4kg)

## Ordering Information

Example: XSPW-B-WM-2ME-2L-30K-UL-BK

XSPW	B	WM						
Product	Version	Mounting	Optic	Lumen Package*	CCT	Voltage	Color Options	Options
XSPW	B	WM Wall	2ME Type II Medium 3ME Type III Medium 4ME Type IV Medium	2L 2,490 lumens 4L 4,270 lumens 6L 6,100 lumens 8L 8,475 lumens	30K 3000K - 70 CRI 40K 4000K - 70 CRI 50K 5000K - 90 CRI 57K 5700K - 70 CRI	UL Universal 120-277V UH Universal 347-480V 34 347V - For use with P option only	BK Black BZ Bronze SV Silver WH White	ML <b>Multi-Level</b> - Refer to <a href="#">ML spec sheet</a> for details - Available with UL voltage only P <b>Button Photocell</b> - Not available with ML or PML options - Available with UL and 34 voltages only PML <b>Programmable Multi-Level</b> - Refer to PML spec sheet for details - Available with UL voltage only

\* Lumen Package selection codes identify approximate light output only. Actual lumen output levels may vary depending on CCT and optic selection. Refer to Initial Delivered Lumen tables for specific lumen values



**CREE LIGHTING®**

US: [creeighting.com](http://creeighting.com) (800) 236-6800

Canada: [creeighting-canada.com](http://creeighting-canada.com) (800) 473-1234