

Copyright Reserved

The Contractor shall verify and be responsible for all dimensions. DO NOT scale the drawings - any errors or omissions shall be reported to Stantec without delay. The Copyrights to all designs and drawings are the property of Stantec. Reproduction or use for any purpose other than that authorized by Stantec is forbidden.

Legend

- PROPOSED SILT FENCE BOUNDARY AS PER OPSD 219.1.10
- PROPOSED MUD MAT LOCATION
- PROPOSED CATCH BASIN PROTECTION AS PER DETAIL
- EXISTING STORM MANHOLE
- PROPOSED SANITARY MANHOLE
- EXISTING SANITARY MANHOLE
- EXISTING CATCH BASIN

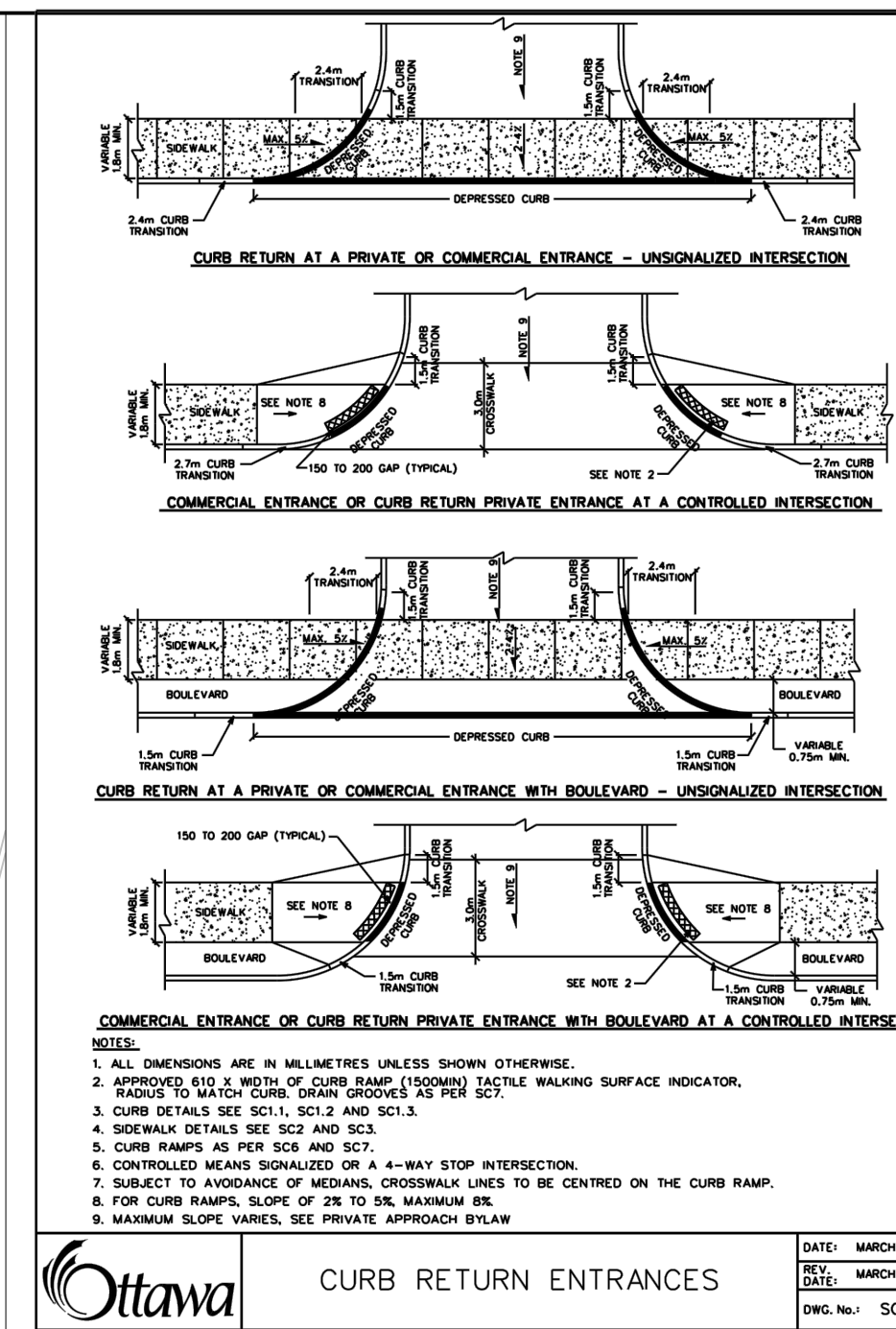
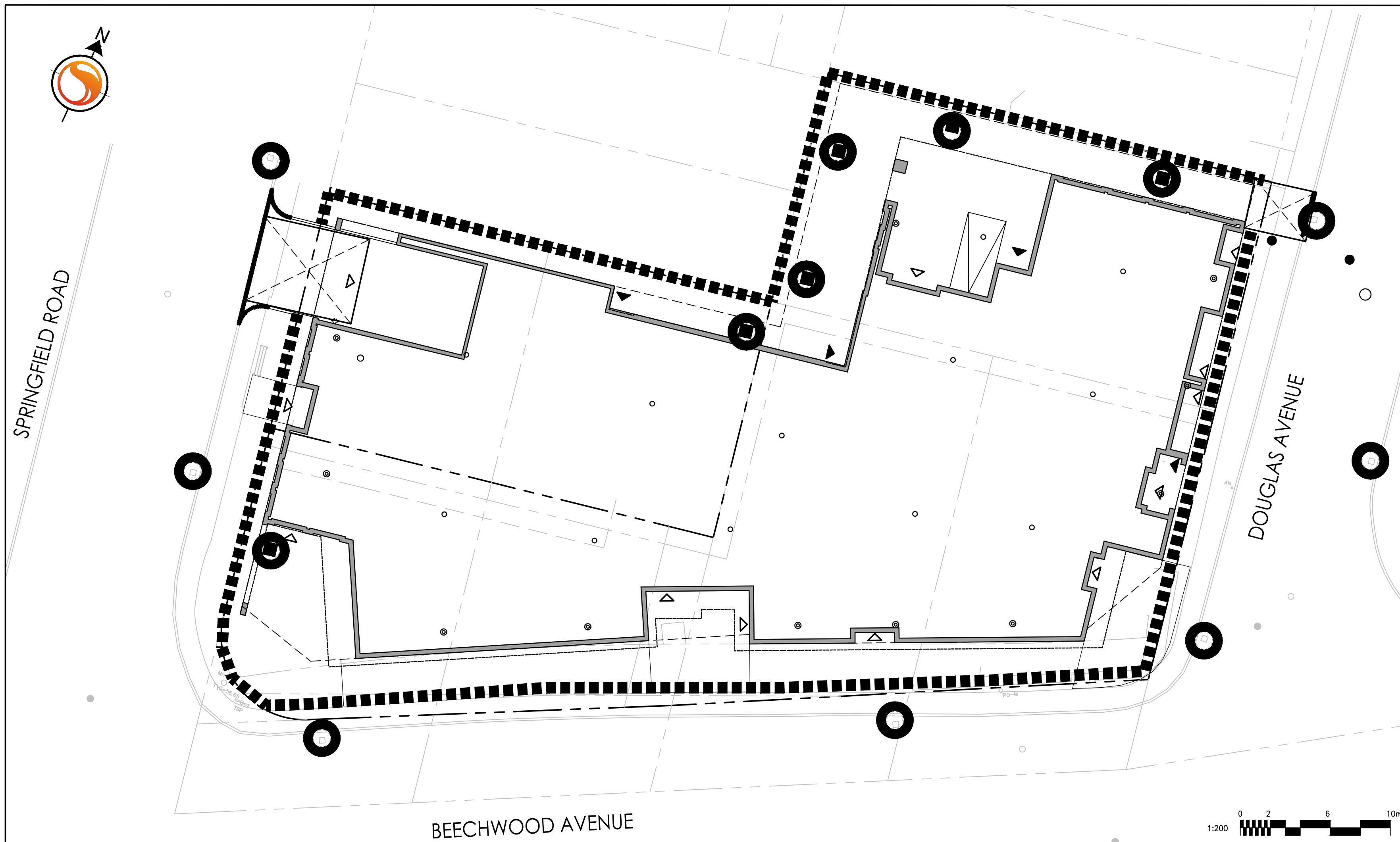
Notes

Best Management Practices

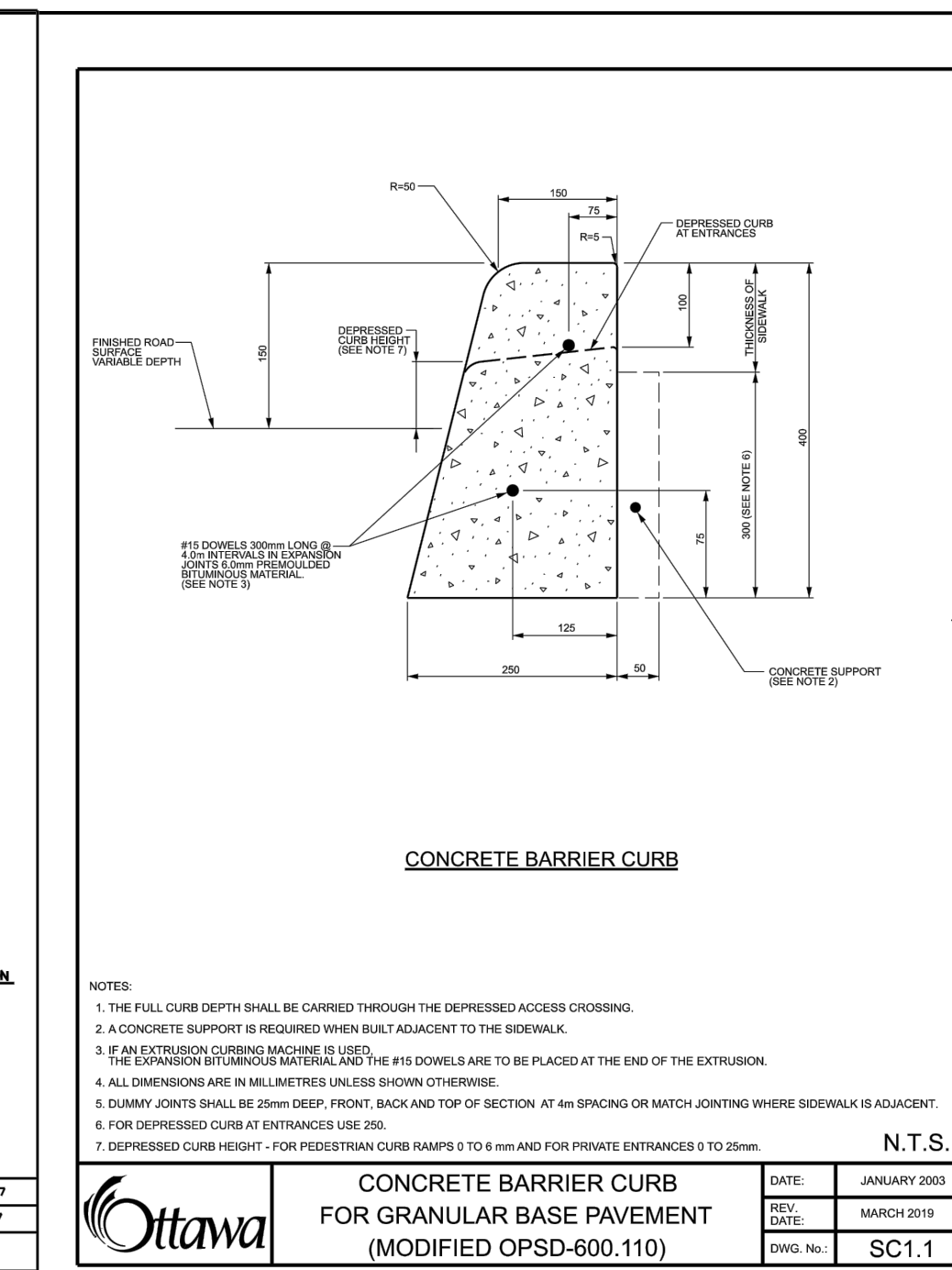
CONTRACTOR TO PROVIDE EROSION AND SEDIMENT CONTROLS (BEST MANAGEMENT PRACTICES) DURING CONSTRUCTION OF THIS PROJECT.

EROSION MUST BE MINIMIZED AND SEDIMENTS MUST BE REMOVED FROM CONSTRUCTION SITE RUN-OFF IN ORDER TO PROTECT DOWNSTREAM AREAS. DURING ALL CONSTRUCTION, EROSION AND SEDIMENTATION SHOULD BE CONTROLLED BY THE FOLLOWING TECHNIQUES.

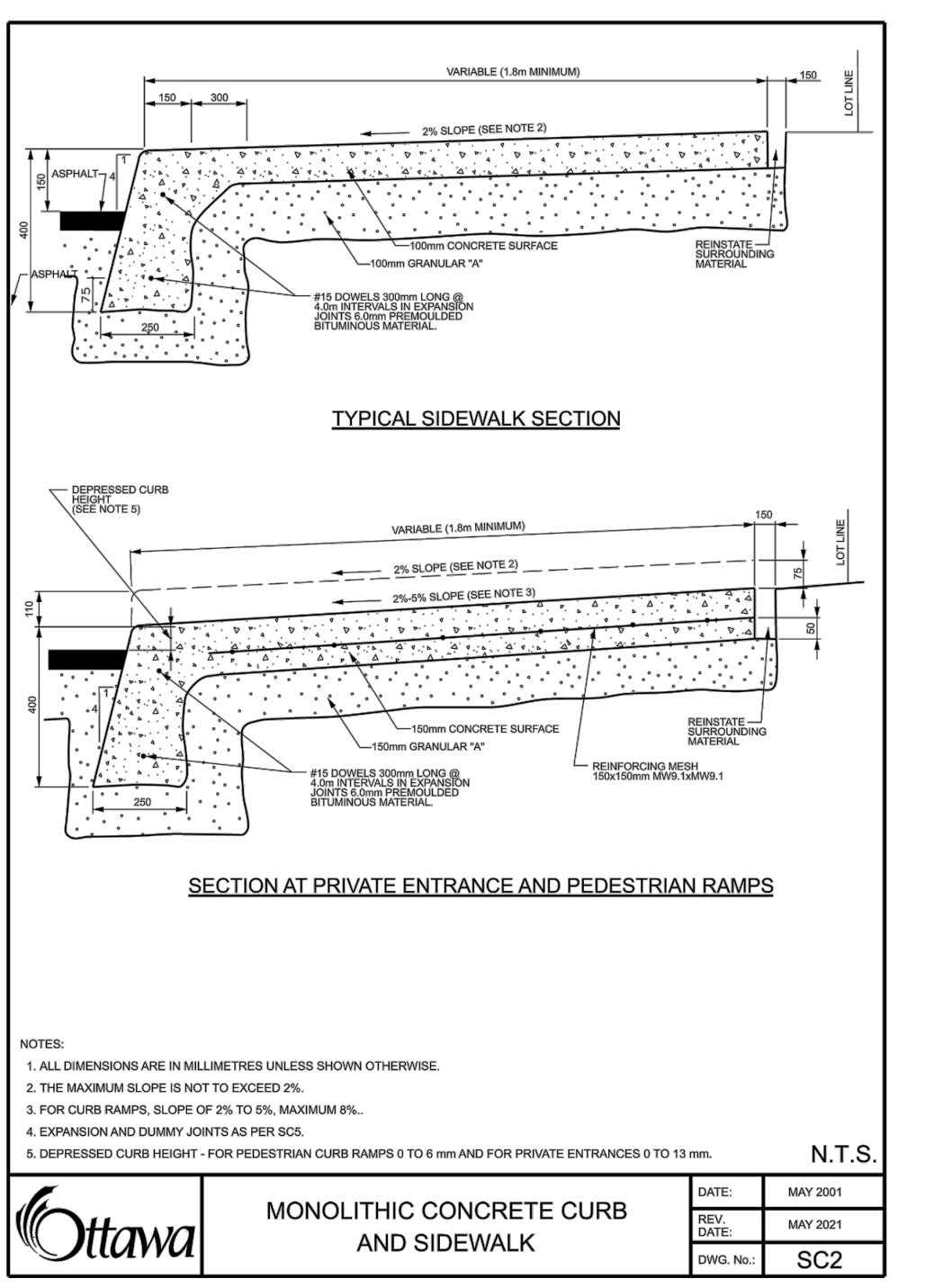
1. LIMIT THE EXTENT OF EXPOSED SOILS AT ANY GIVEN TIME.
2. REVEGETATE EXPOSED AREAS AND SLOPES AS SOON AS POSSIBLE.
3. MINIMIZE AREA TO BE CLEARED AND GRUBBED.
4. PROTECT EXPOSED SLOPES WITH PLASTIC OR SYNTHETIC MULCHES.
5. INSTALL FILTER CLOTH BETWEEN FRAME AND COVER ON ALL PROPOSED CATCH BASINS AND CATCH BASIN MANHOLES AND ON ALL EXISTING CATCH BASINS THAT WILL RECEIVE RUN-OFF FROM THE SITE.
6. A SILT FENCE SHALL BE INSTALLED AROUND THE PERIMETER OF ALL AND ANY STOCKPILES OF MATERIAL TO BE USED OR REMOVED FROM SITE. (LOCATION TO BE DETERMINED)
7. A VISUAL INSPECTION SHALL BE DONE DAILY ON SEDIMENT CONTROL MEASURES AND CLEANED OF ANY ACCUMULATED SILT AS REQUIRED. THE DEPOSITS WILL BE DISPOSED OFF SITE AS PER THE REQUIREMENTS OF THE CONTRACT.
8. SEDIMENT CONTROL BARRIERS MAY ONLY BE REMOVED TEMPORARILY WITH APPROVAL OF CONTRACT ADMINISTRATOR TO ACCOMMODATE CONSTRUCTION OPERATIONS. ALL AFFECTED BARRIERS MUST BE REINSTATED AT NIGHT WHEN CONSTRUCTION IS COMPLETED. NO REMOVAL WILL OCCUR IF THERE IS A SIGNIFICANT RAINFALL EVENT ANTICIPATED (>10mm) UNLESS A NEW DEVICE HAS BEEN INSTALLED TO PROTECT THE EXISTING STORM AND SANITARY SEWER SYSTEMS.
9. NO REFUELING OR CLEANING OF EQUIPMENT IS PERMITTED NEAR ANY EXISTING WATERWAY.
10. CONTRACTOR SHALL REMOVE SEDIMENT CONTROL MEASURES WHEN, IN THE OPINION OF THE CONTRACT ADMINISTRATOR, THE MEASURE(S) IS NO LONGER REQUIRED. NO CONTROL MEASURES SHALL BE PERMANENTLY REMOVED WITHOUT PRIOR WRITTEN AUTHORIZATION FROM THE CONTRACT ADMINISTRATOR.
11. THE CONTRACTOR SHALL PERIODICALLY, OR WHEN REQUESTED BY THE CONTRACT ADMINISTRATOR, CLEAN OUT ACCUMULATED SEDIMENTS AS REQUIRED.
12. THE CONTRACTOR SHALL IMMEDIATELY REPORT TO THE ENGINEER ANY ACCIDENTAL DISCHARGES OF SEDIMENT MATERIAL INTO THE WATERCOURSE. APPROPRIATE RESPONSE MEASURES, INCLUDING ANY REPAIRS TO EXISTING CONTROL MEASURES OR THE IMPLEMENTATION OF ADDITIONAL CONTROL MEASURES, SHALL BE CARRIED OUT BY THE CONTRACTOR WITHOUT DELAY.
13. CONTRACTOR SHALL INSTALL MUD MATS AT ALL ENTRANCES TO THE SITE.
14. CONTRACTOR IS RESPONSIBLE TO KEEP THE ROADS FREE AND CLEAR OF MUD AND DEBRIS.



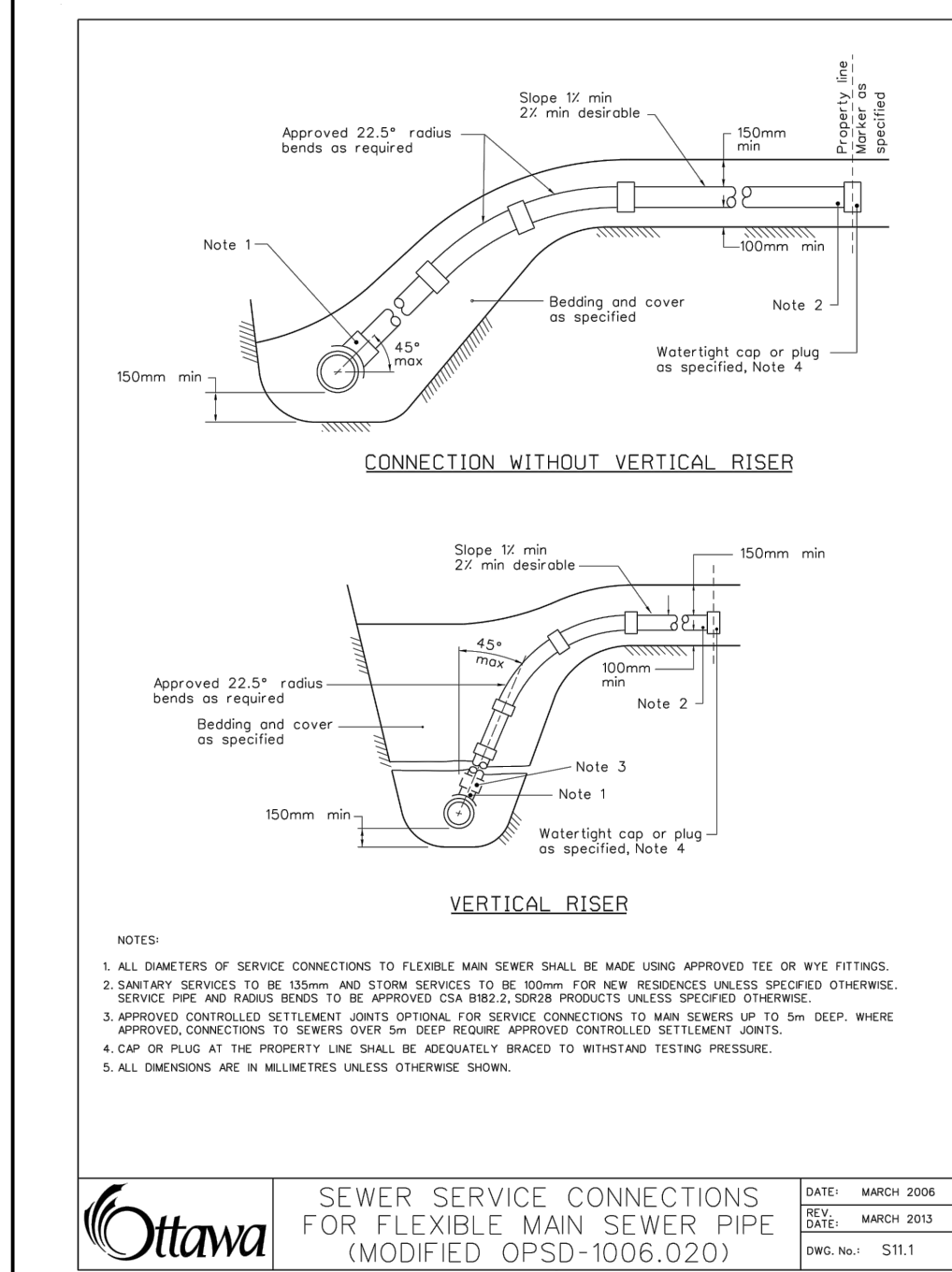
Ottawa CURB RETURN ENTRANCES DATE: MARCH 2007
REV: MARCH 2017
DWG. NO.: SC7.1



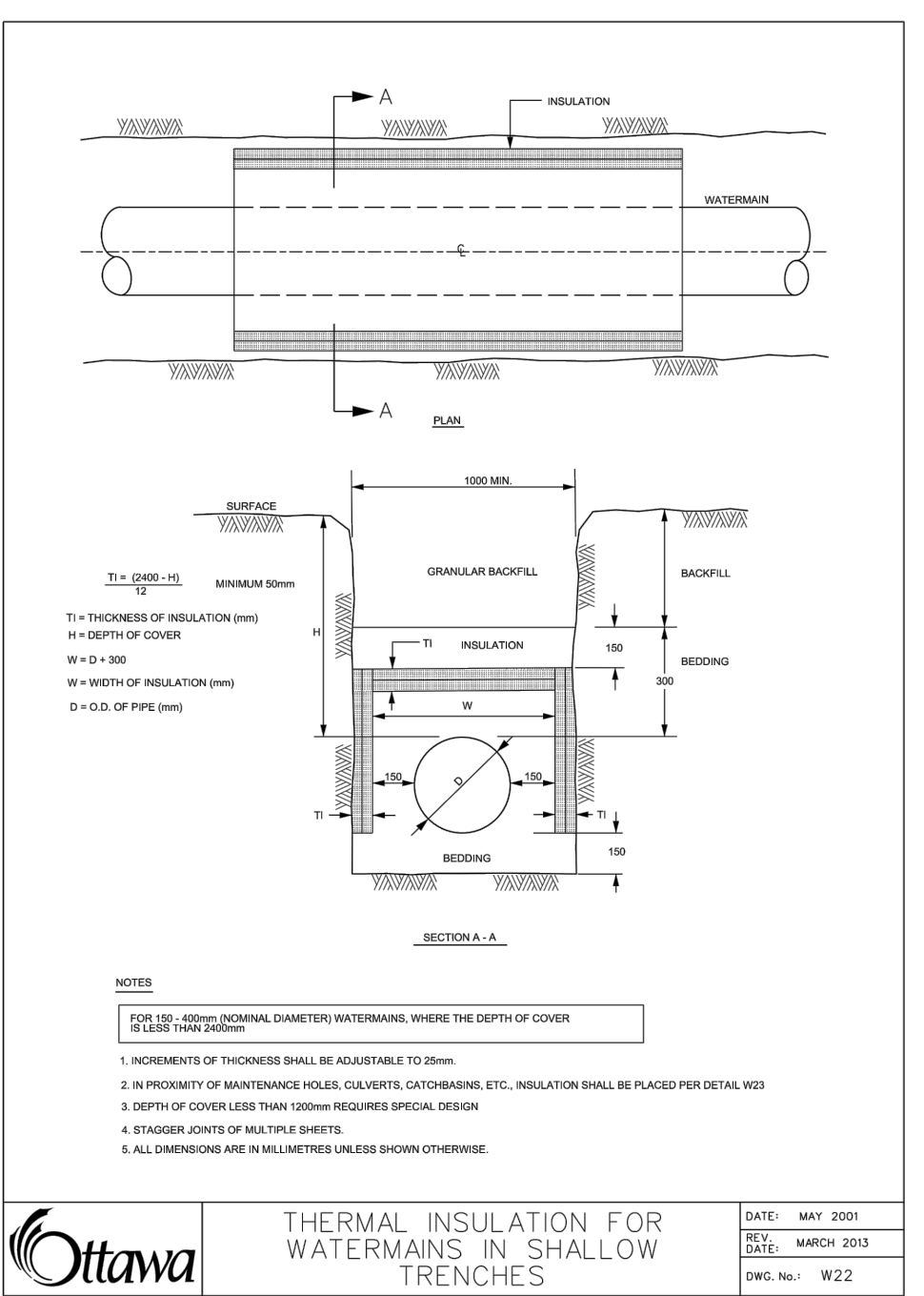
Ottawa CONCRETE BARRIER CURB FOR GRANULAR BASE PAVEMENT (MODIFIED OPSD-600.110) DATE: JANUARY 2003
REV: MARCH 2015
DWG. NO.: SC1.1



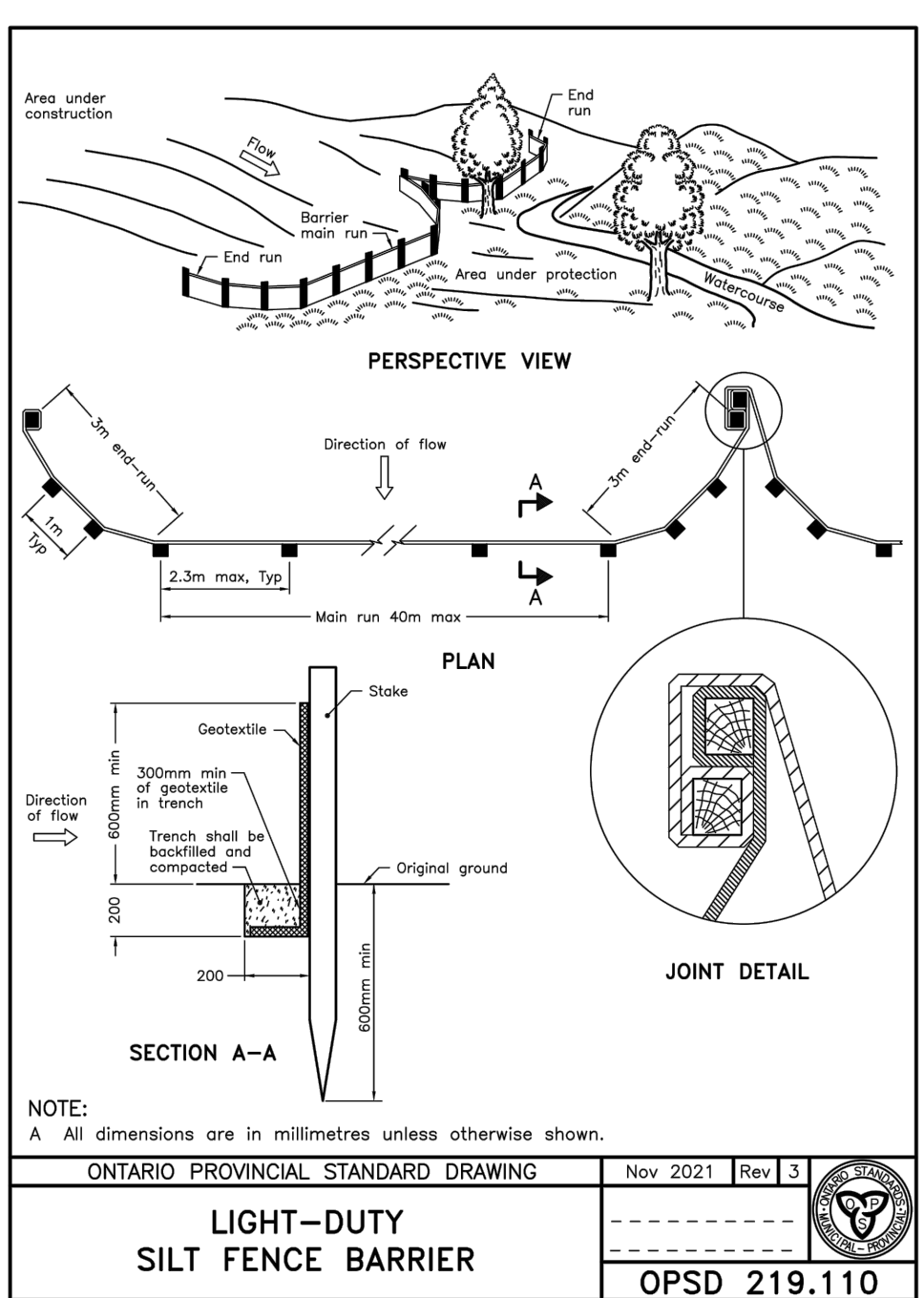
Ottawa MONOLITHIC CONCRETE CURB AND SIDEWALK DATE: MAY 2001
REV: MAY 2001
DWG. NO.: SC2



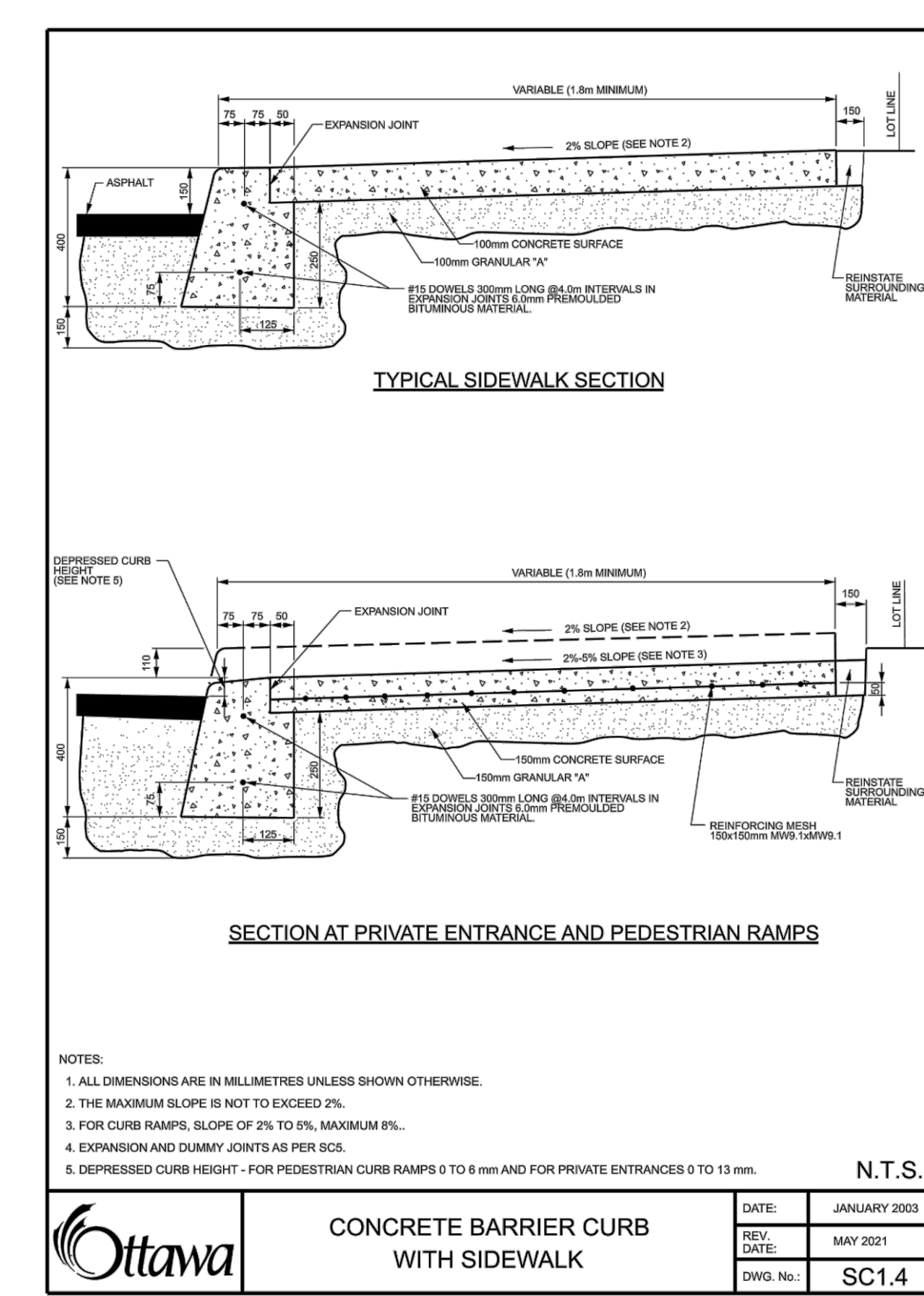
Ottawa SEWER SERVICE CONNECTIONS FOR FLEXIBLE MAIN SEWER PIPE (MODIFIED OPSD-1006.020) DATE: MARCH 2006
REV: MARCH 2013
DWG. NO.: S11.1



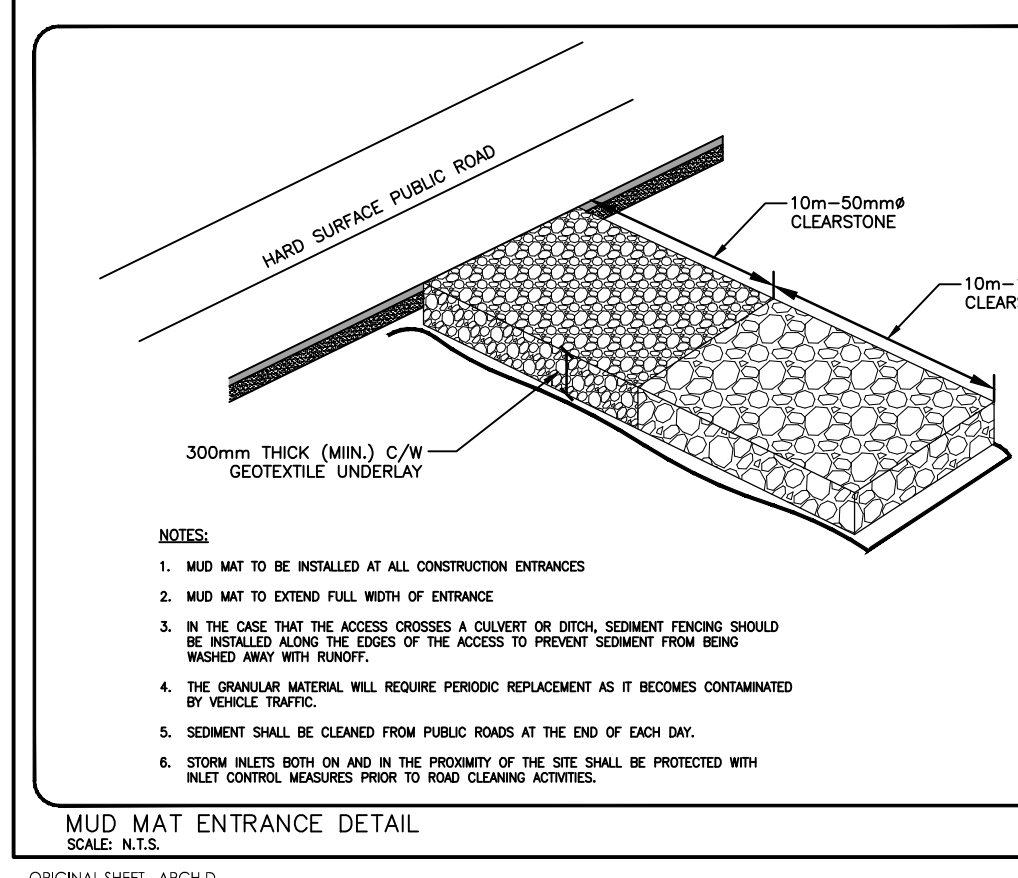
Ottawa THERMAL INSULATION FOR WATERMAINS IN SHALLOW TRENCHES DATE: MAY 2001
REV: MARCH 2013
DWG. NO.: W22



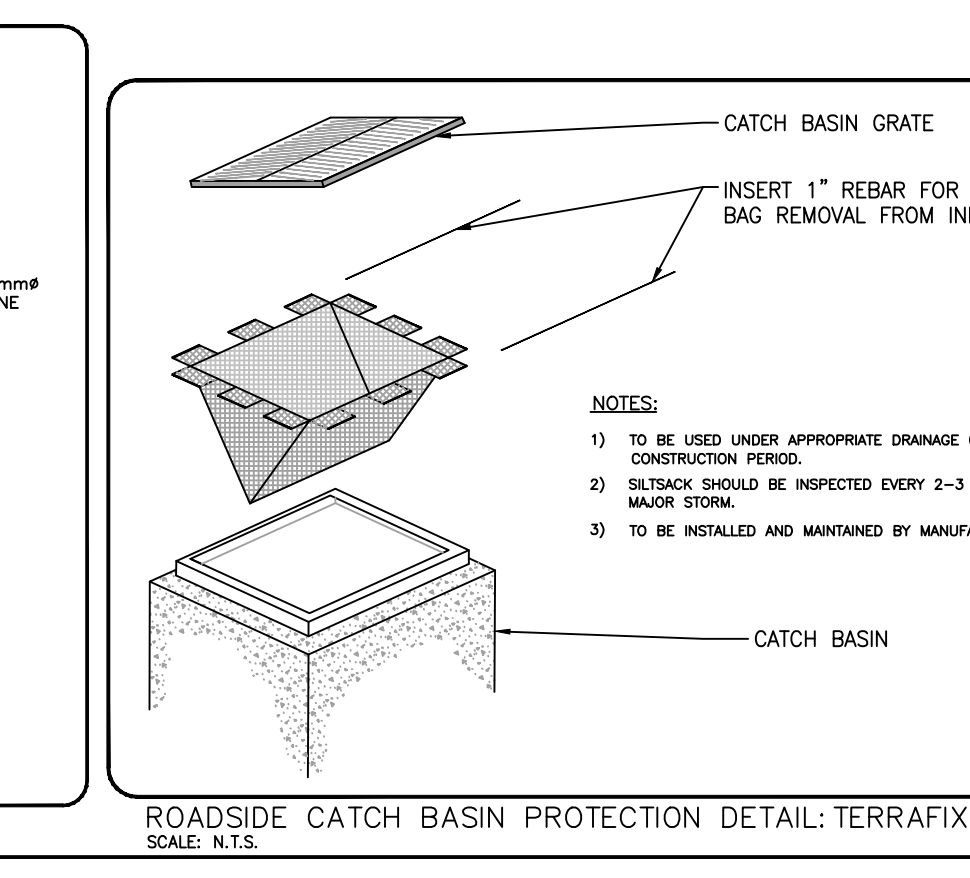
ONTARIO PROVINCIAL STANDARD DRAWING Nov 2021 Rev 3
LIGHT-DUTY SILT FENCE BARRIER
OPSD 219.110



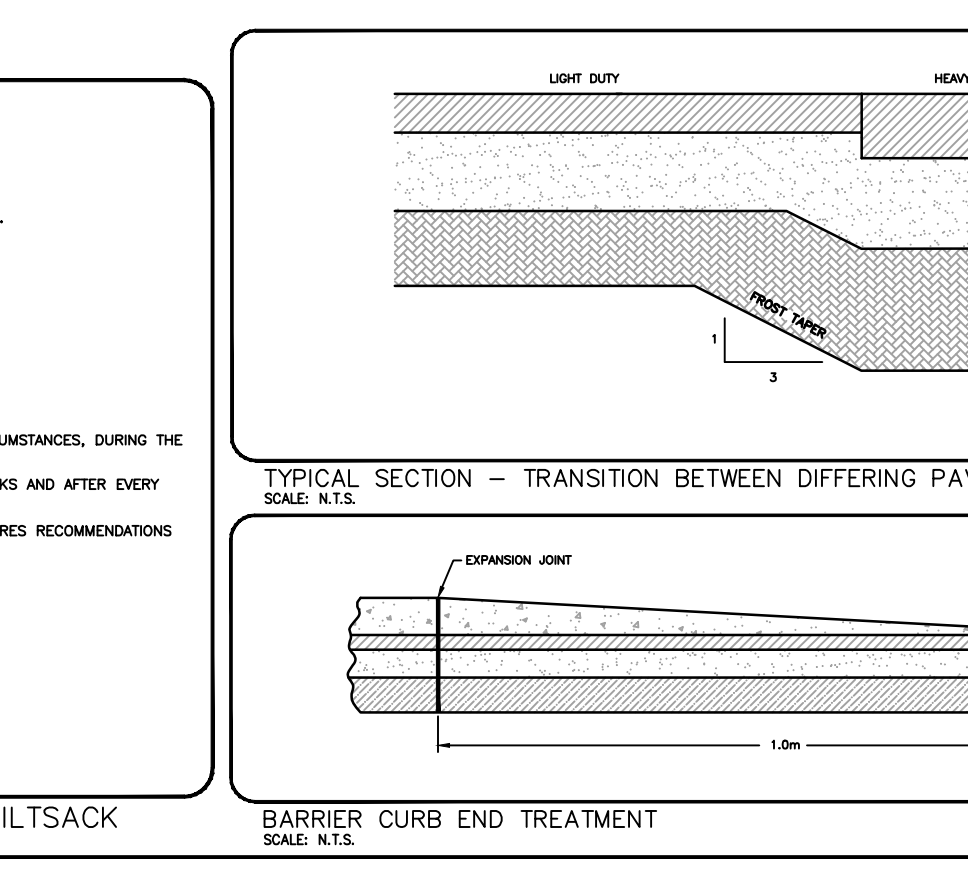
Ottawa CONCRETE BARRIER CURB WITH SIDEWALK DATE: JANUARY 2003
REV: MAY 2001
DWG. NO.: SC1.4



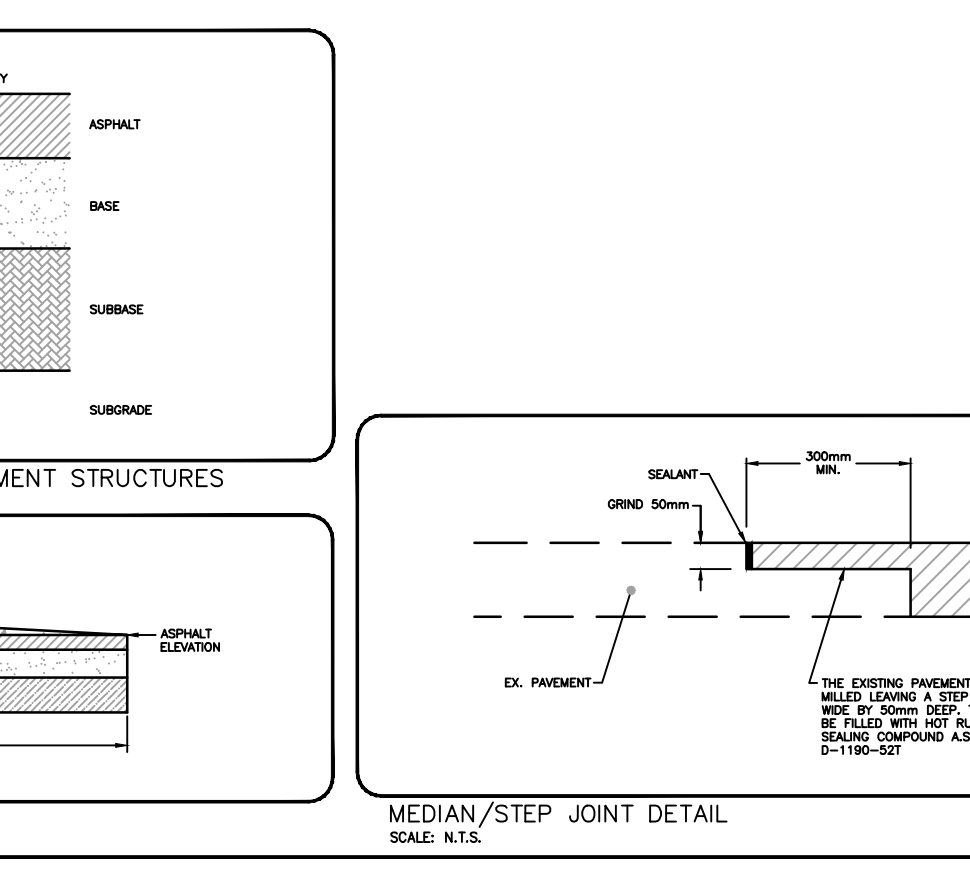
MUD MAT ENTRANCE DETAIL SCALE: N.T.S.



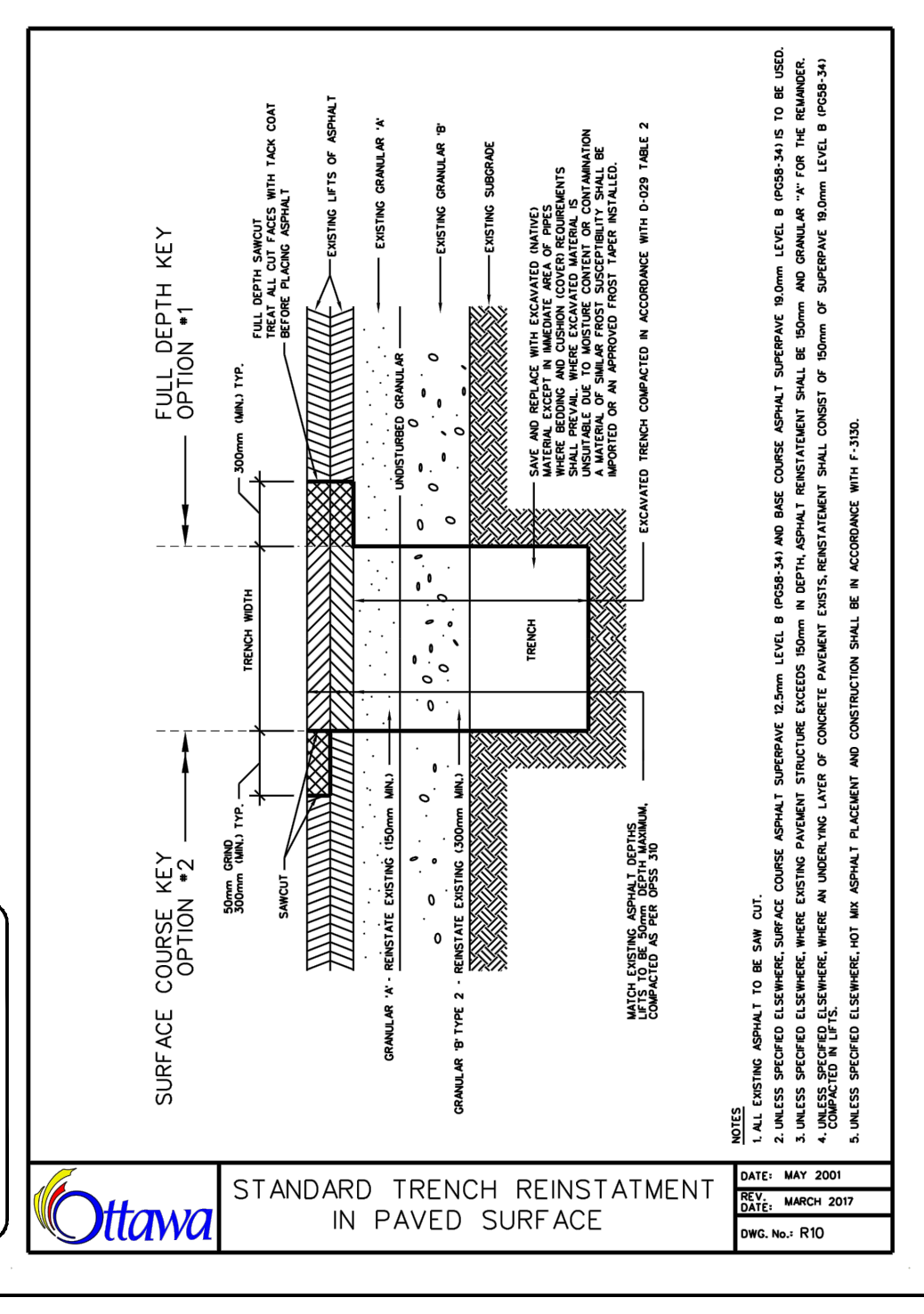
ROADSIDE CATCH BASIN PROTECTION DETAIL: TERRAFIX SILTSACK SCALE: N.T.S.



BARRIER CURB END TREATMENT SCALE: N.T.S.



MEDIAN/STEP JOINT DETAIL SCALE: N.T.S.



Ottawa STANDARD TRENCH REINSTATEMENT IN PAVED SURFACE DATE: MAY 2001
REV: MARCH 2007
DWG. NO.: RD

Revision	By	Appd.	Date
1	TM	DT	23.06.07
Revision			
File Name:	160401786.DB.dwg	TM	KK
		Dwn.	Chkd.
		Dgn.	23.03.15
Permit-Seal			

Client/Project	ProjectI Studio
	47 BEECHWOOD AVENUE
	OTTAWA, ONTARIO, CANADA
Title	EROSION CONTROL AND DETAILS SHEET
Project No.	Scale
160401786	
Drawing No.	Sheet
	Revision
EC-1	6 of 6