

- LEGEND**
- PROPERTY LINE
  - 71.35 PROPOSED ELEVATION
  - 71.35TW PROPOSED TOP OF WALL ELEVATION
  - 71.35BW PROPOSED BOTTOM OF WALL ELEVATION
  - 71.35TP PROPOSED TOP OF PLANTER ELEVATION
  - 71.35BP PROPOSED BOTTOM OF PLANTER ELEVATION
  - 71.35TC PROPOSED TOP OF CURB ELEVATION
  - 71.35AD PROPOSED AREA DRAIN ELEVATION
  - 1.7% SLOPE AND DIRECTION
  - 3:1 TERRACING SLOPE MAX UNLESS OTHERWISE INDICATED
  - OVERLAND FLOW ROUTE
  - M M PROPOSED MUD MAT
  - LIGHT DUTY SILT FENCE (OPSD 219.110)
  - PROPOSED FILTER BAGS AT CATCHBASINS, AREA DRAINS AND TRENCHDRAINS
  - ▣ PROPOSED AREA DRAIN

**NOTES**  
**GENERAL NOTES:**

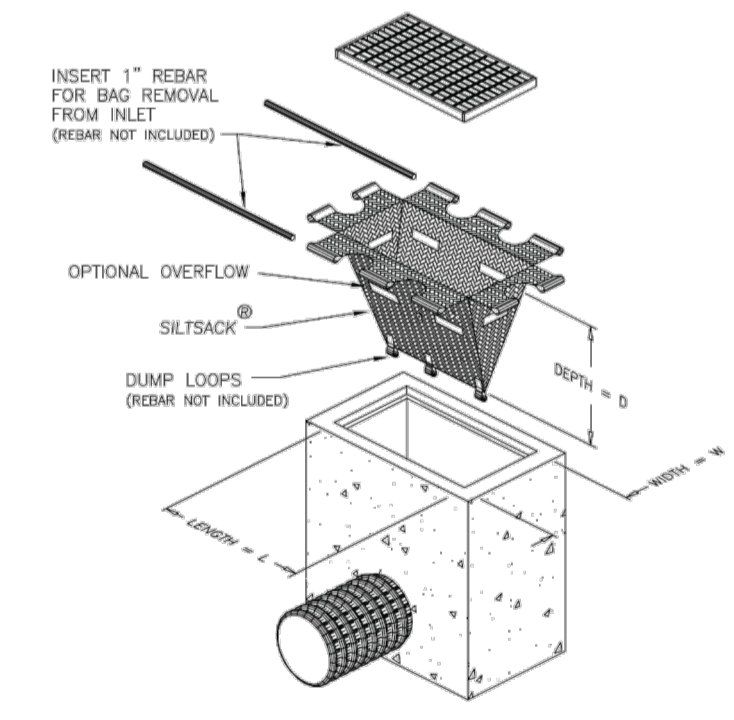
1. COORDINATE AND SCHEDULE ALL WORK WITH OTHER TRADES AND CONTRACTORS.
2. DETERMINE THE EXACT LOCATION, SIZE, MATERIAL AND ELEVATION OF ALL EXISTING UTILITIES PRIOR TO COMMENCING CONSTRUCTION. PROTECT AND ASSUME RESPONSIBILITY FOR ALL EXISTING UTILITIES WHETHER OR NOT SHOWN ON THIS DRAWING.
3. OBTAIN ALL NECESSARY PERMITS AND APPROVALS FROM THE CITY OF OTTAWA BEFORE COMMENCING CONSTRUCTION.
4. BEFORE COMMENCING CONSTRUCTION OBTAIN AND PROVIDE PROOF OF COMPREHENSIVE, ALL RISK AND OPERATIONAL LIABILITY INSURANCE FOR \$5,000,000.00. INSURANCE POLICY TO NAME OWNERS, ENGINEERS AND ARCHITECTS AS CO-INSURED. (amount of liability insurance to be verified on a project by project basis)
5. RESTORE ALL DISTURBED AREAS ON-SITE AND OFF-SITE, INCLUDING TRENCHES AND SURFACES ON PUBLIC ROAD ALLOWANCES TO EXISTING CONDITIONS OR BETTER TO THE SATISFACTION OF THE CITY OF OTTAWA AND ENGINEER.
6. REMOVE FROM SITE ALL EXCESS EXCAVATED MATERIAL, ORGANIC MATERIAL AND DEBRIS UNLESS OTHERWISE INSTRUCTED BY ENGINEER. EXCAVATE AND REMOVE FROM SITE ANY CONTAMINATED MATERIAL. ALL CONTAMINATED MATERIAL SHALL BE DISPOSED OF AT A LICENSED LANDFILL FACILITY.
7. ALL ELEVATIONS ARE GEODETIC.
8. REFER TO GEOTECHNICAL REPORT (No. P06351-1, DATED SEPTEMBER 06, 2022), PREPARED BY PATERSON GROUP FOR SUBSURFACE CONDITIONS, CONSTRUCTION RECOMMENDATIONS, AND GEOTECHNICAL INSPECTION REQUIREMENTS. THE GEOTECHNICAL CONSULTANT IS TO REVIEW ON-SITE CONDITIONS AFTER EXCAVATION PRIOR TO PLACEMENT OF THE GRANULAR MATERIAL.
9. REFER TO ARCHITECT'S AND LANDSCAPE ARCHITECT'S DRAWINGS FOR BUILDING AND HARDSURFACE AREAS AND DIMENSIONS.
10. REFER TO STORMWATER MANAGEMENT REPORT (R-xxxx-xxxx) PREPARED BY NOVATECH ENGINEERING CONSULTANTS LTD.
11. SAW CUT AND KEY GRIND ASPHALT AT ALL ROAD CUTS AND ASPHALT TIE IN POINTS AS PER CITY OF OTTAWA STANDARDS (R10).
12. PROVIDE LINE/PARKING PAINTING.

**GRADING NOTES:**

1. ALL TOPSOIL, ORGANIC OR DELETERIOUS MATERIAL MUST BE ENTIRELY REMOVED FROM BENEATH THE PROPOSED PAVED AREAS AS DIRECTED BY THE SITE ENGINEER OR GEOTECHNICAL ENGINEER.
2. EXPOSED SUBGRADES IN PROPOSED PAVED AREAS SHOULD BE PROOF ROLLED WITH A LARGE STEEL DRUM ROLLER AND INSPECTED BY THE GEOTECHNICAL ENGINEER PRIOR TO THE PLACEMENT OF GRANULARS.
3. ANY SOFT AREAS EVIDENT FROM THE PROOF ROLLING SHOULD BE SUB-EXCAVATED AND REPLACED WITH SUITABLE MATERIAL THAT IS FROST COMPATIBLE WITH THE EXISTING SOILS AS RECOMMENDED BY THE GEOTECHNICAL ENGINEER.
4. THE GRANULAR BASE SHOULD BE COMPACTED TO AT LEAST 99% OF THE STANDARD PROCTOR MAXIMUM DRY DENSITY VALUE. ANY ADDITIONAL GRANULAR FILL USED BELOW THE PROPOSED PAVEMENT SHOULD BE COMPACTED TO AT LEAST 99% OF THE STANDARD PROCTOR MAXIMUM DRY DENSITY VALUE.
5. MINIMUM OF 2% GRADE FOR ALL GRASS AREAS UNLESS OTHERWISE NOTED.
6. MAXIMUM TERRACING GRADE TO BE 3:1 UNLESS OTHERWISE NOTED.
7. ALL GRADES BY CURBS ARE EDGE OF PAVEMENT GRADES UNLESS OTHERWISE INDICATED.
8. ALL CURBS SHALL BE BARRIER CURB (150mm) UNLESS OTHERWISE NOTED AND CONSTRUCTED AS PER CITY OF OTTAWA STANDARDS (SC1.1).
9. REFER TO LANDSCAPE PLAN FOR PLANTING AND OTHER LANDSCAPE FEATURE DETAILS.
13. CONTRACTOR TO PROVIDE THE CONSULTANT WITH A GRADING PLAN INDICATING AS-BUILT ELEVATIONS OF ALL DESIGN GRADES SHOWN ON THIS PLAN.

**EROSION AND SEDIMENT CONTROL NOTES:**

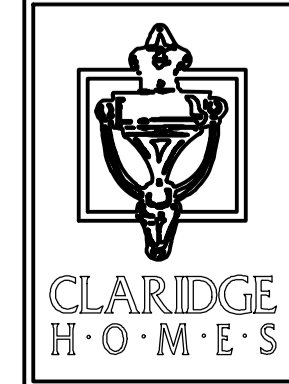
1. THE OWNER AGREES TO PREPARE AND IMPLEMENT AN EROSION AND SEDIMENT CONTROL PLAN TO THE SATISFACTION OF THE CITY OF OTTAWA, APPROPRIATE TO THE SITE CONDITIONS, PRIOR TO UNDERTAKING ANY SITE ALTERATIONS (FILLING, GRADING, REMOVAL OF VEGETATION, ETC.) AND DURING ALL PHASES OF SITE PREPARATION AND CONSTRUCTION IN ACCORDANCE WITH THE CURRENT BEST MANAGEMENT PRACTICES FOR EROSION AND SEDIMENT CONTROL, SUCH AS BUT NOT LIMITED TO INSTALLING FILTER CLOTHS ACROSS MANHOLE/CATCHBASIN LIDS TO PREVENT SEDIMENTS FROM ENTERING STRUCTURES AND INSTALL AND MAINTAIN A LIGHT DUTY SILT FENCE BARRIER AS REQUIRED.
2. THE CONTRACTOR SHALL PLACE FILTER CLOTH UNDER THE CATCH-BASIN AND MANHOLE GRATES FOR THE DURATION OF CONSTRUCTION AND WILL REMAIN IN PLACE DURING ALL PHASES OF CONSTRUCTION.
3. SILT FENCING FOR ENTIRE PERIMETER OF SITE, SHALL BE UTILIZED TO CONTROL EROSION FROM THE SITE DURING CONSTRUCTION.
4. THE CONTRACTOR ACKNOWLEDGES THAT FAILURE TO IMPLEMENT EROSION AND SEDIMENT CONTROL MEASURES MAY BE SUBJECT TO PENALTIES IMPOSED BY ANY APPLICABLE REGULATORY AGENCY.



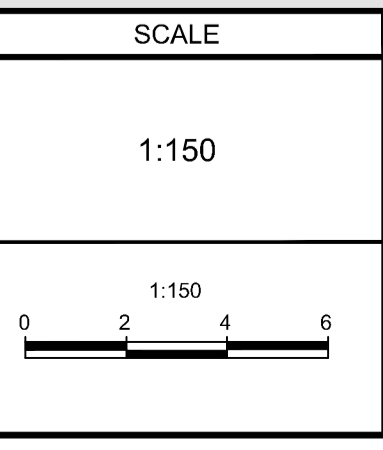
TEMPORARY CATCHBASIN INSERT DETAIL - SILTSACK BY TERRAFIX (OR APPROVED EQUIVALENT) N.T.S.

**NOTE:**  
THE POSITION OF ALL POLE LINES, CONDUITS, WATERMANS, SEWERS AND OTHER UNDERGROUND AND OVERGROUND UTILITIES AND STRUCTURES IS NOT NECESSARILY SHOWN ON THE CONTRACT DRAWINGS, AND WHERE SHOWN, THE ACCURACY OF THE POSITION OF SUCH UTILITIES AND STRUCTURES IS NOT GUARANTEED. BEFORE STARTING WORK, DETERMINE THE EXACT LOCATION OF ALL SUCH UTILITIES AND STRUCTURES AND ASSUME ALL LIABILITY FOR DAMAGE TO THEM.

**CLARIDGE HOMES**  
CLARIDGE HOMES SUITE 2001, 210 GLADSTONE AVENUE, OTTAWA, ONTARIO K2P 0Y6.



No.	REVISION	DATE	BY
1.	ISSUED IN SUPPORT OF SITE PLAN	NOV 30/22	GJM



DESIGN	RJG
CHECKED	GJM
DRAWN	RJG/MF
CHECKED	ARM
APPROVED	GJM

**FOR REVIEW ONLY**

PROFESSIONAL ENGINEER  
G.J. MacDONALD  
Nov. 30, 2022  
PROVINCE OF ONTARIO

**NOVATECH**  
Engineers, Planners & Landscape Architects  
Suite 200, 240 Michael Cowpland Drive  
Ottawa, Ontario, Canada K2M 1P6  
Telephone (613) 254-9643  
Facsimile (613) 254-5867  
Website www.novatech-eng.com

LOCATION CITY OF OTTAWA 84 & 100 GLOUCESTER STREET	PROJECT No. 122173-00
DRAWING NAME GRADING AND EROSION - SEDIMENT CONTROL PLAN	REV # 1 122173-GR

M:\2022\122173\CAD\CAD\122173-GR.dwg, GR, Nov 22, 2022, 3:53 pm, rjg