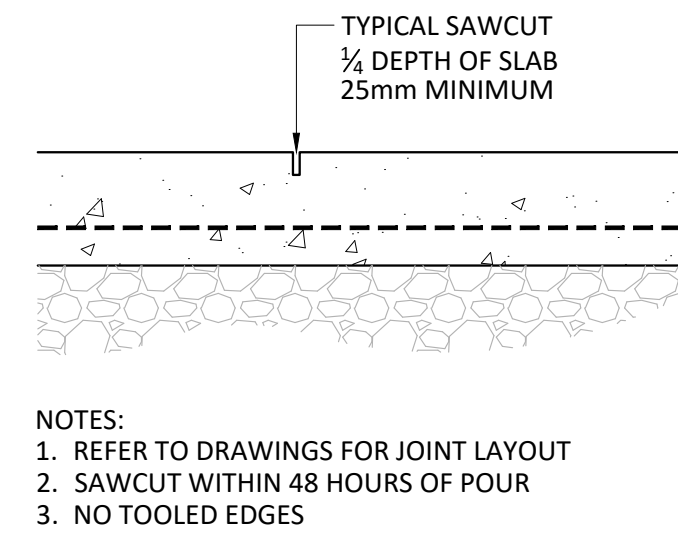
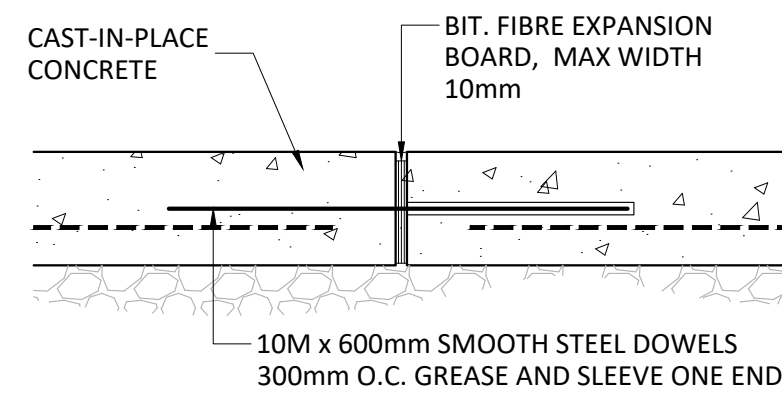


01 CONCRETE PAVING
Scale 1:10



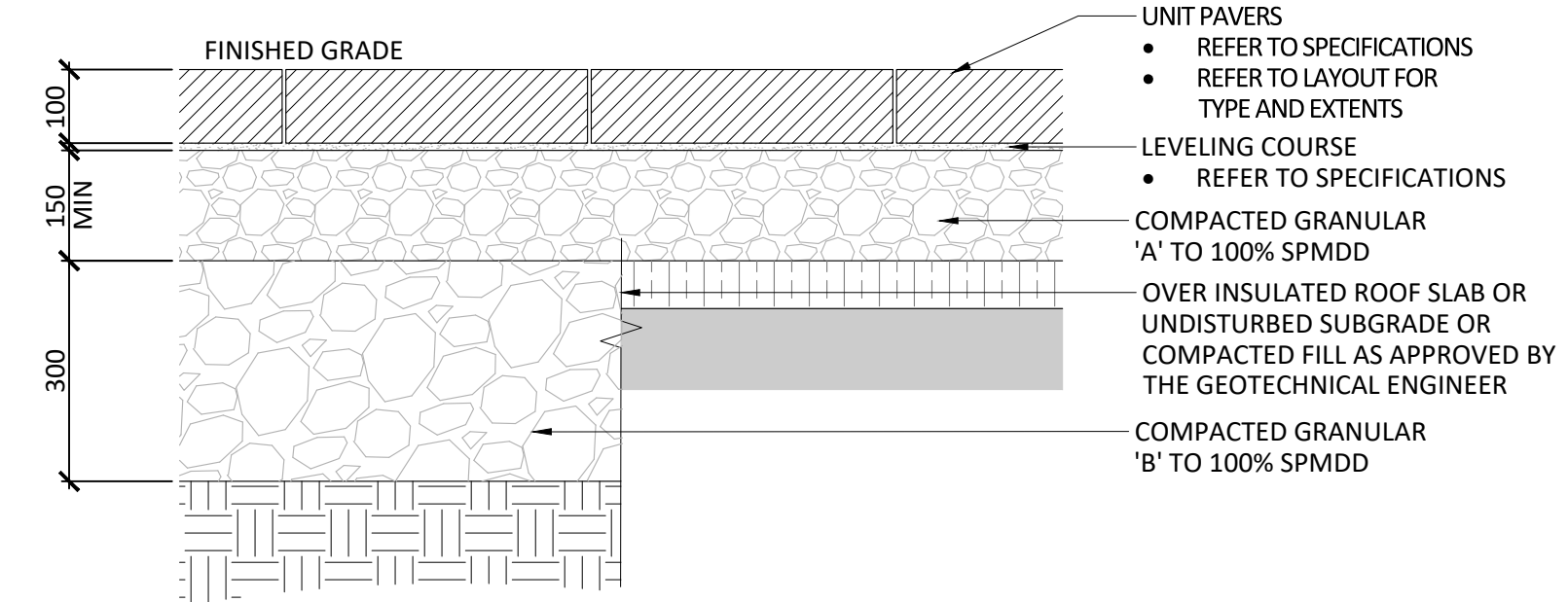
NOTES:
1. REFER TO DRAWINGS FOR JOINT LAYOUT
2. SAWCUT WITHIN 48 HOURS OF POUR
3. NO TOOLED EDGES

CONTROL JOINT (CJ)

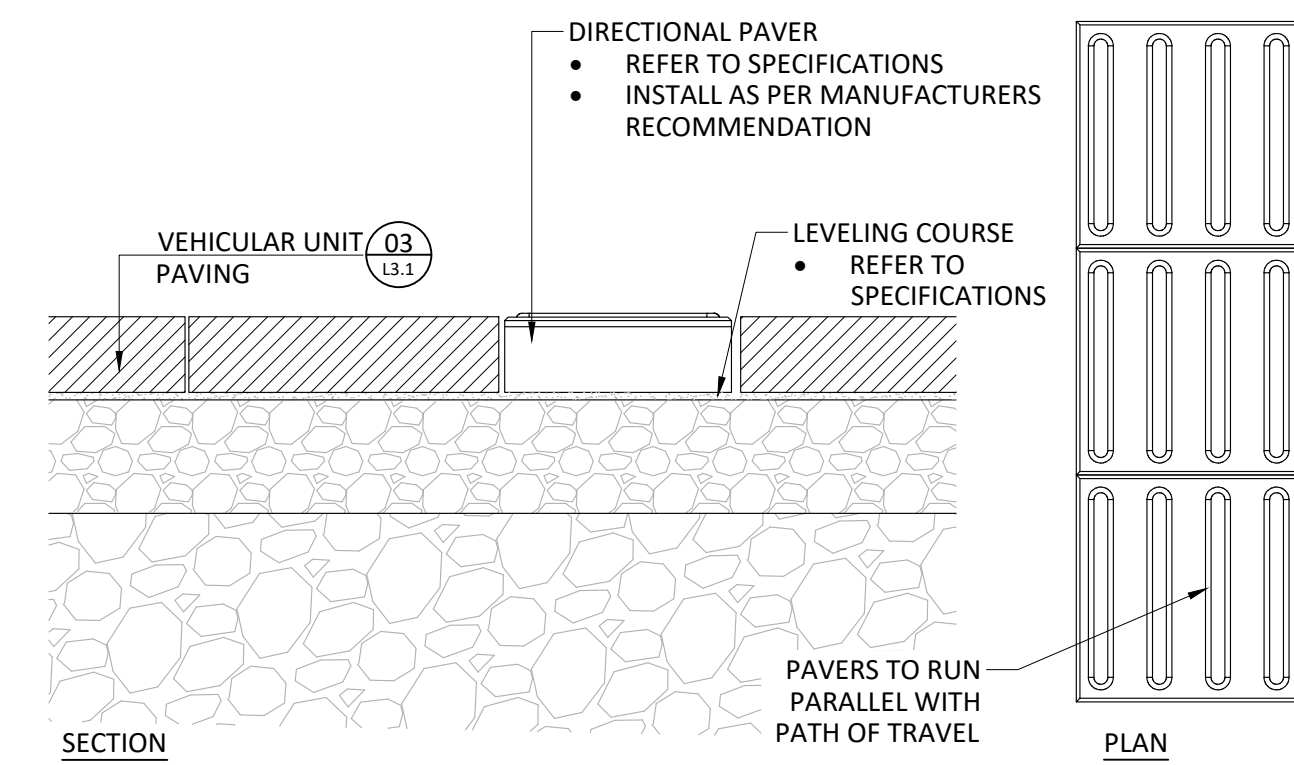


NOTES:
1. REFER TO DRAWINGS FOR JOINT LAYOUT
2. NO TOOLED EDGES

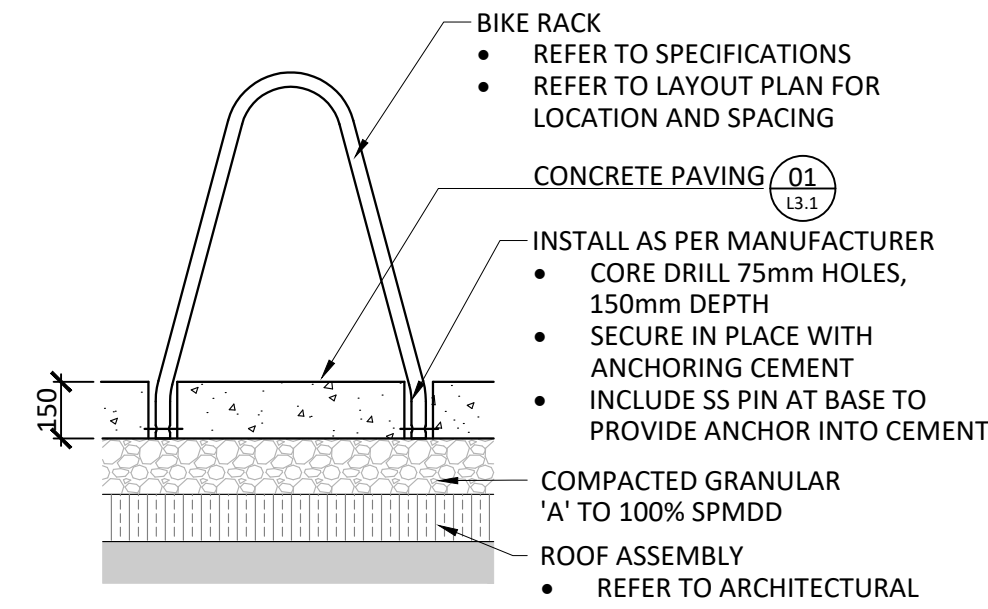
EXPANSION JOINT (EJ)



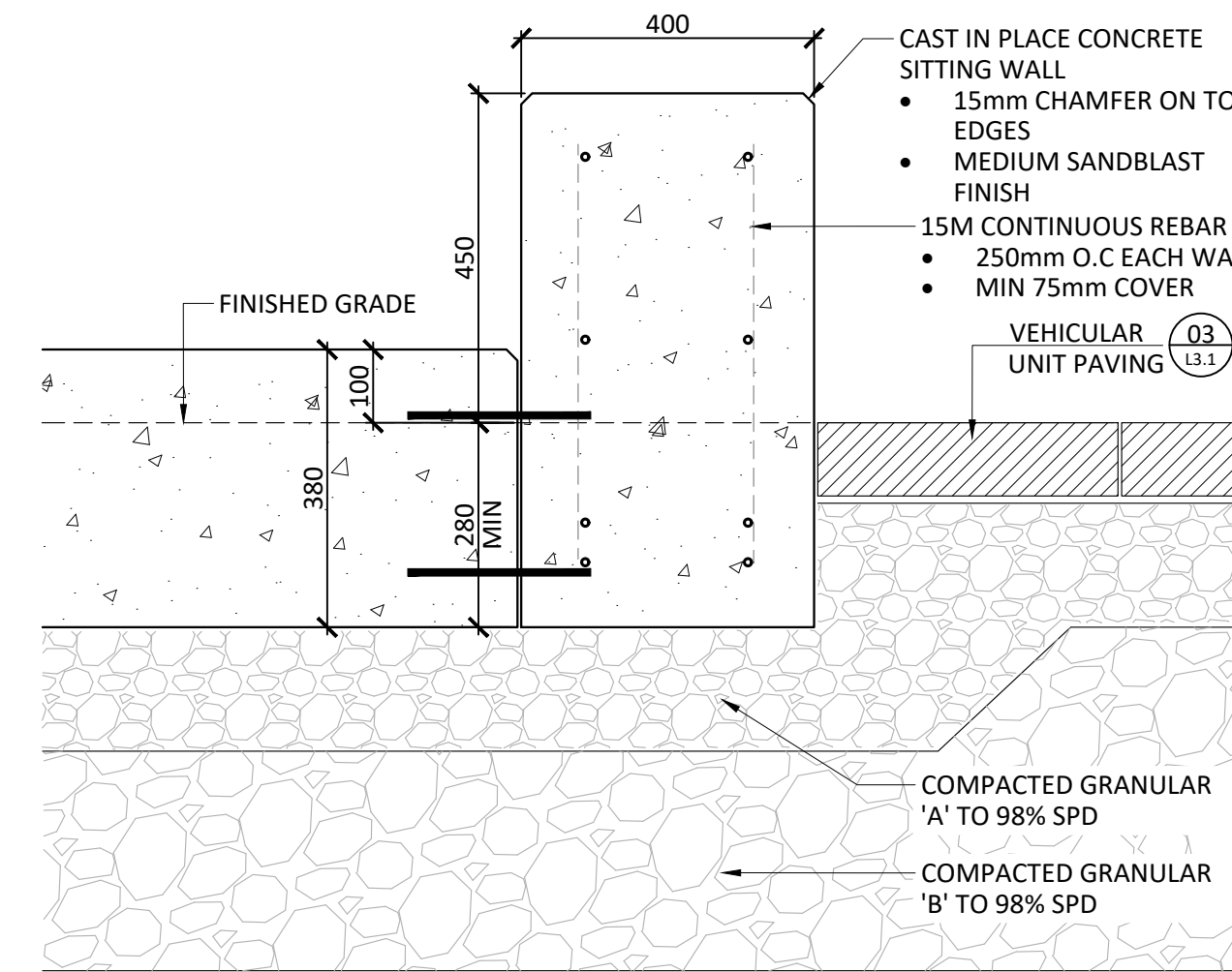
03 VEHICULAR UNIT PAVING
Scale 1:10



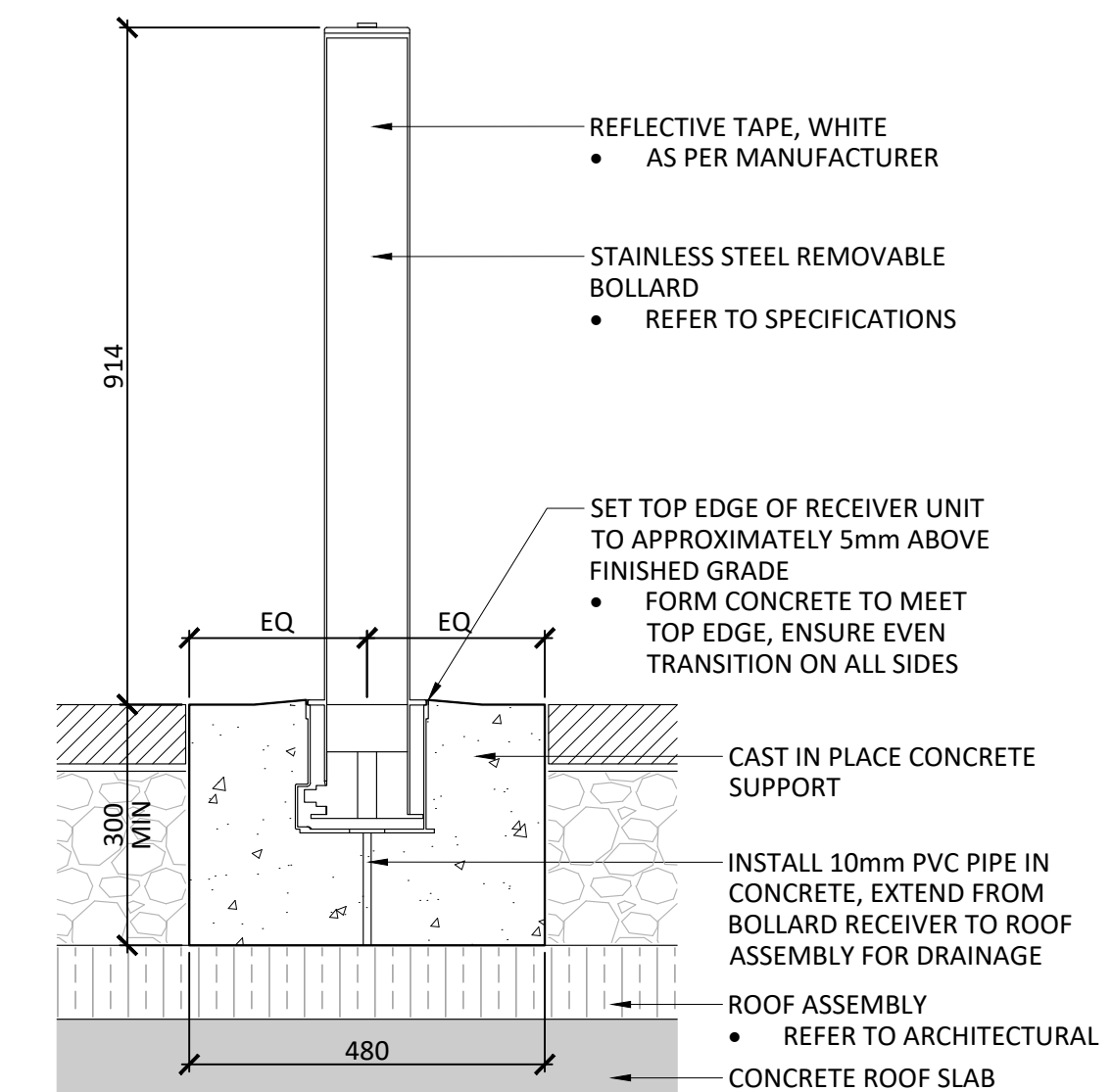
04 DIRECTIONAL PAVING
Scale 1:10



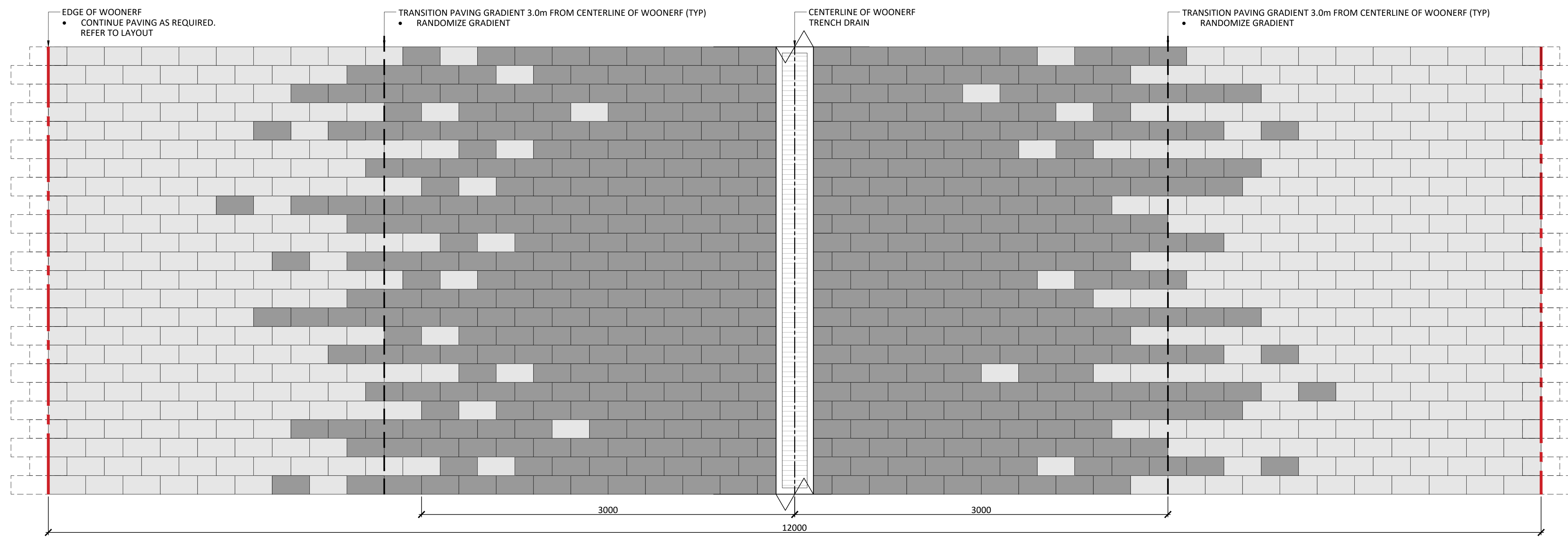
05 BICYCLE PARKING
Scale 1:20



06 CONCRETE SITTING WALL
Scale 1:10



07 REMOVABLE BOLLARD
Scale 1:10



08 WOONERF PAVING PATTERN
Scale 1:20

GENERAL NOTES:

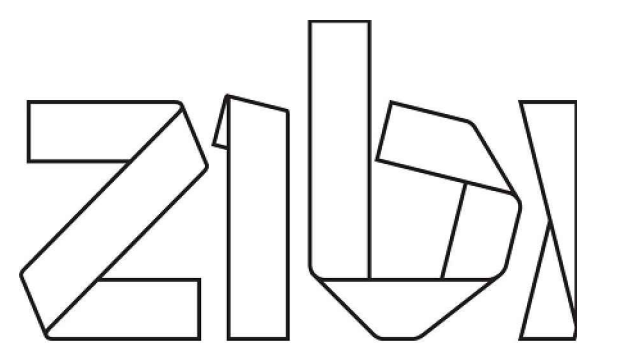
- All measurements in millimeters unless specified otherwise. Do not scale drawing. All drawings to be read in conjunction with written specifications.
- Copyright reserved. This drawing is the exclusive property of CSW Landscape Architects Ltd. and shall not be used without the consent thereof.
- This Drawing may not be used for construction until signed by the landscape architect. It is the responsibility of the contractor to:
 - check and verify all dimensions on site;
 - report all errors and/or omissions to the landscape architect;
 - comply with all pertinent codes and by-laws;
 - check and verify locations of all underground services with all local utilities prior to any digging.
- Proposed grades are to be read in conjunction with landscape, architectural, and engineering drawings. Report any discrepancies to the Construction Manager.

No.	Revision	Date
5	RE-ISSUED FOR SPA	21 DEC 2022
4	RE-ISSUED FOR SPA	15 SEPT 2022
3	ISSUED FOR SPA	19 APR 2022
2	ISSUED FOR COORDINATION	11 APR 2022
1	ISSUED FOR COORDINATION	11 MAR 2022

North: _____ Stamp: _____

CSW Landscape Architecture
Urban Design
Site Planning
Recreation and Park Planning
Project Management

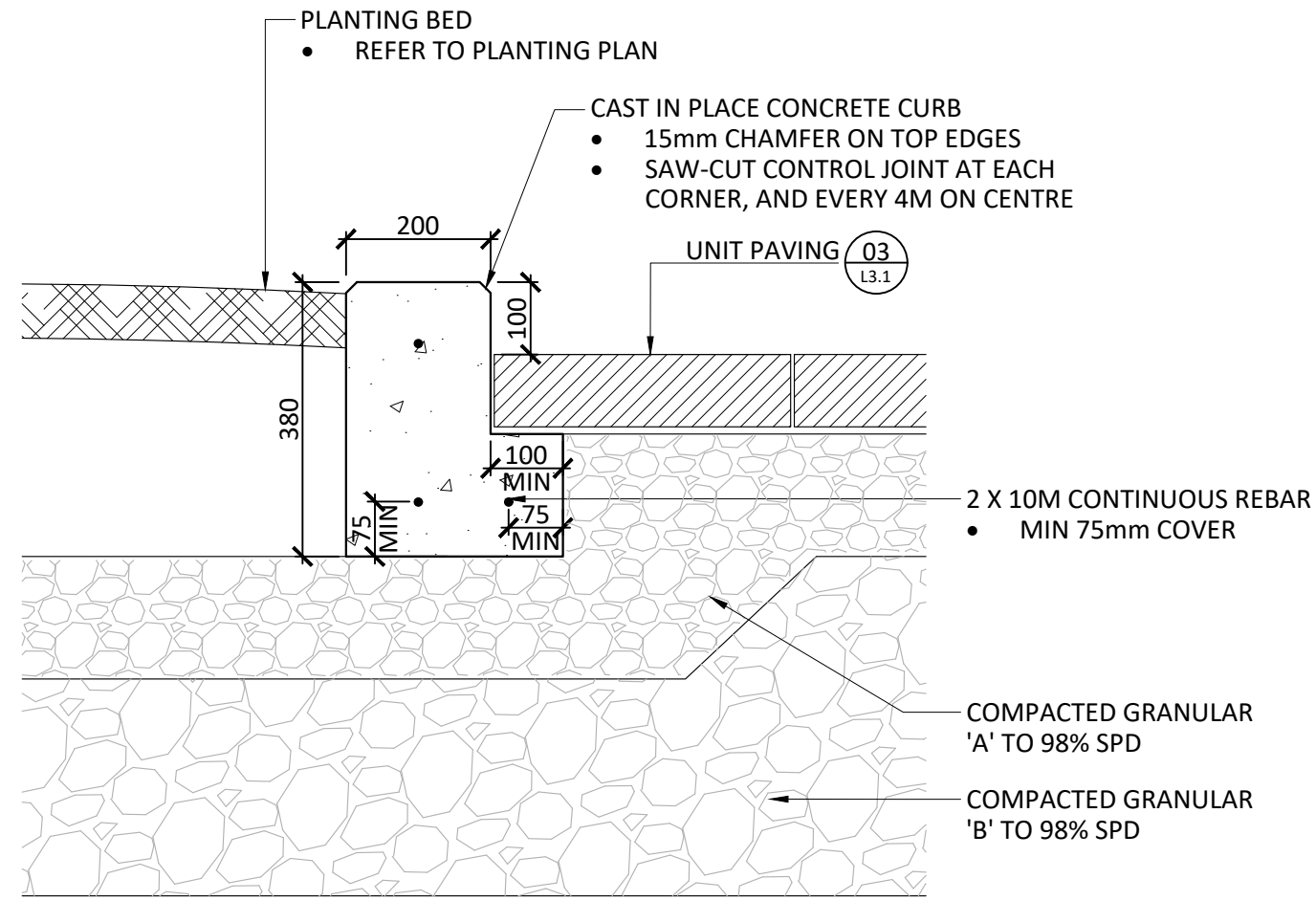
319 McRae Avenue, Suite 502, Ottawa, Ontario, K1Z 0B9
Tel: (613) 729-4536



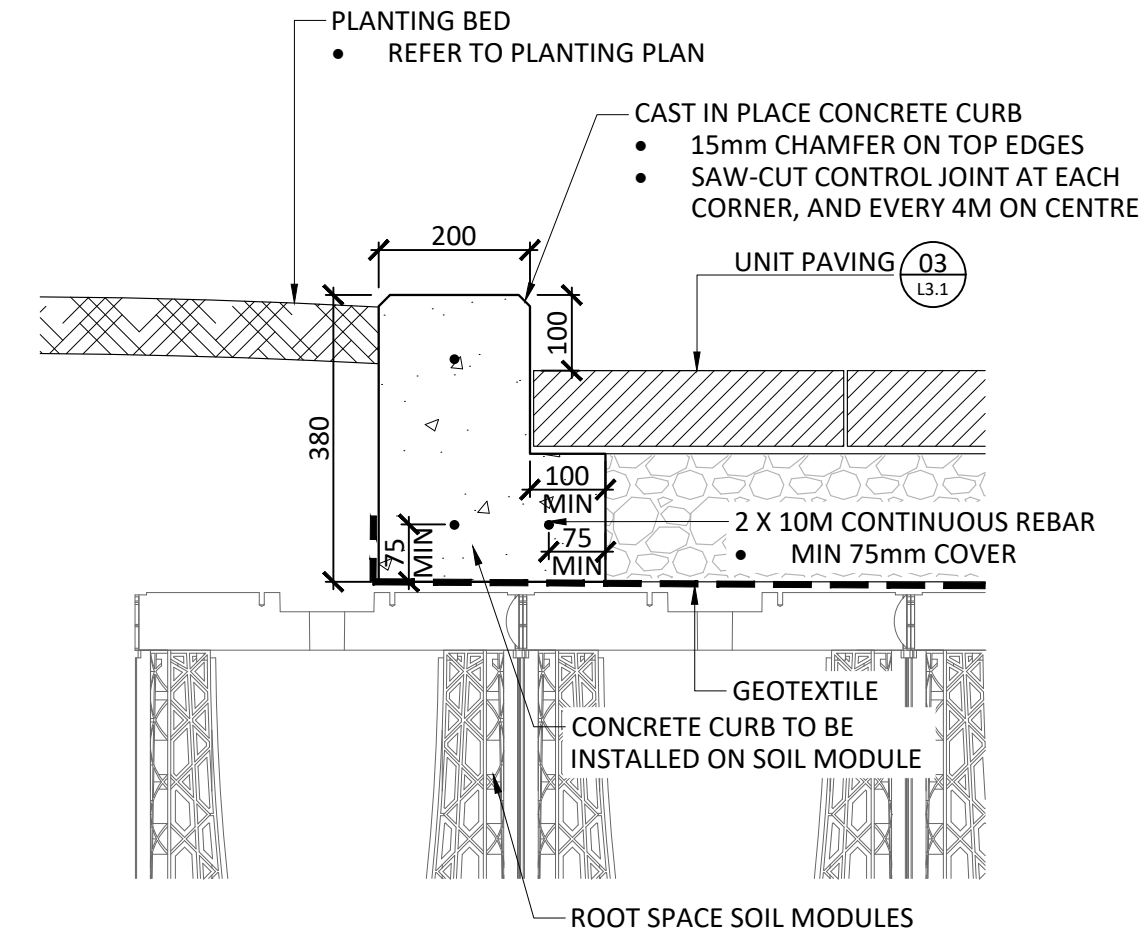
Project:
ZIBI BLOCK 204
Chaudière Island West
OTTAWA, ONTARIO

Drawing:
LANDSCAPE DETAILS

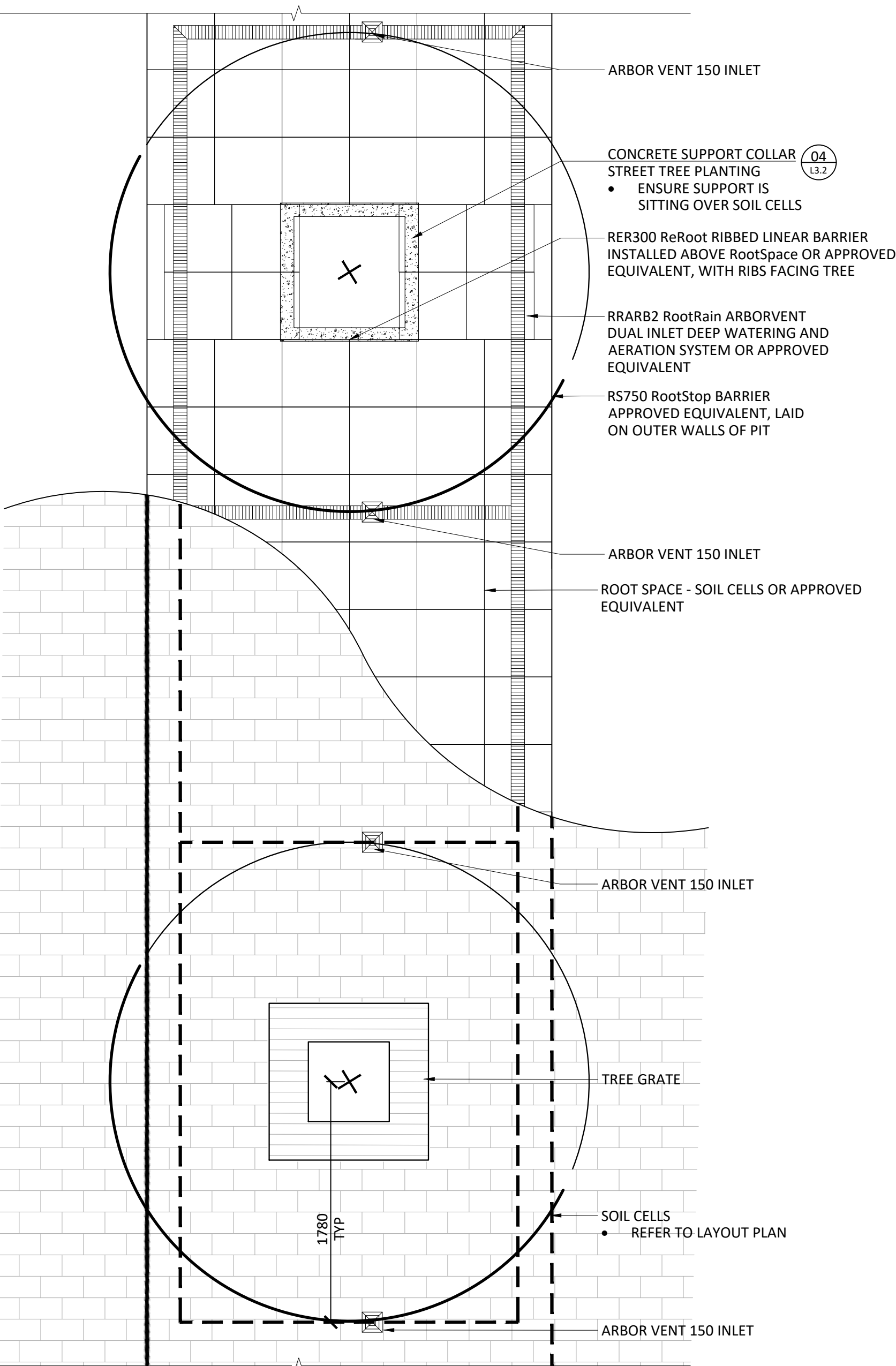
Scale: AS NOTED	Date: March 2022
Design By: SC	Drawn By: SMc
Project Number: 1981-20	Sheet Number: L3.1



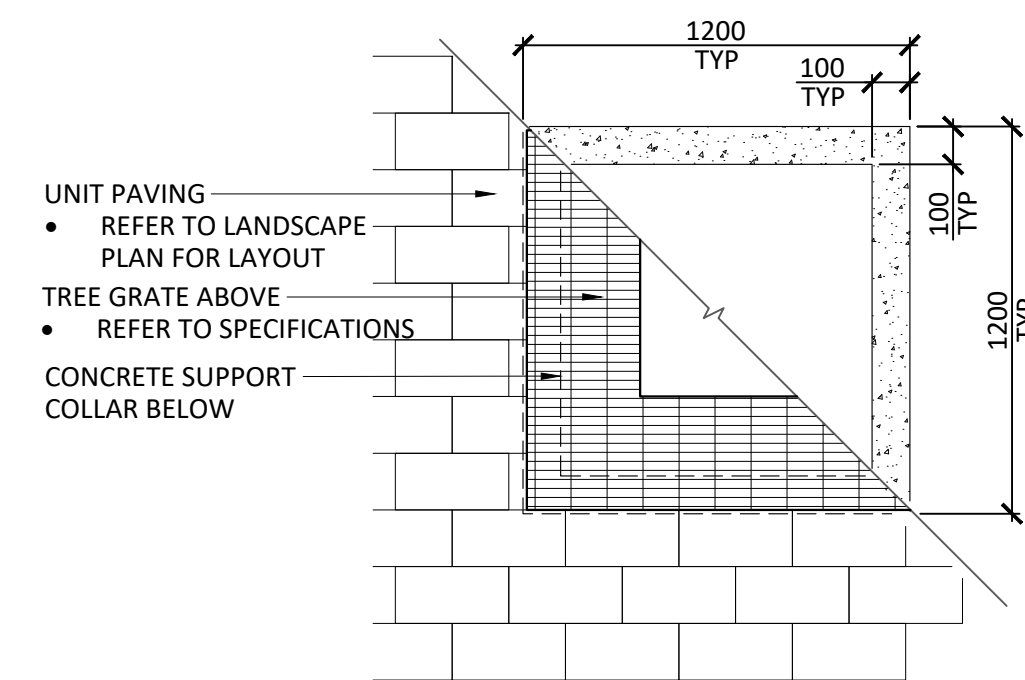
01 CONCRETE PLANTER CURB
Scale 1:10



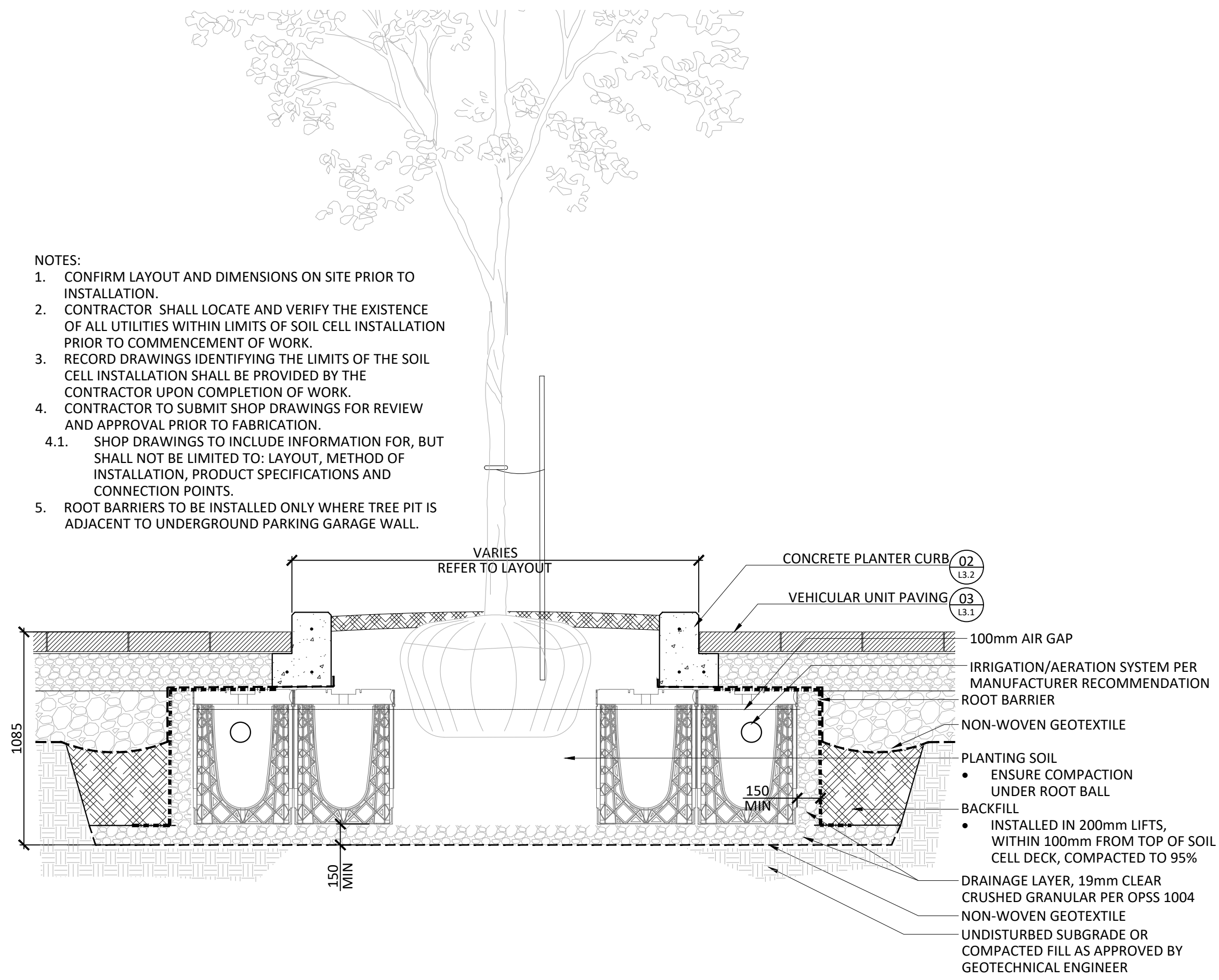
02 CONCRETE PLANTER CURB - OVER SOIL CELLS
Scale 1:10



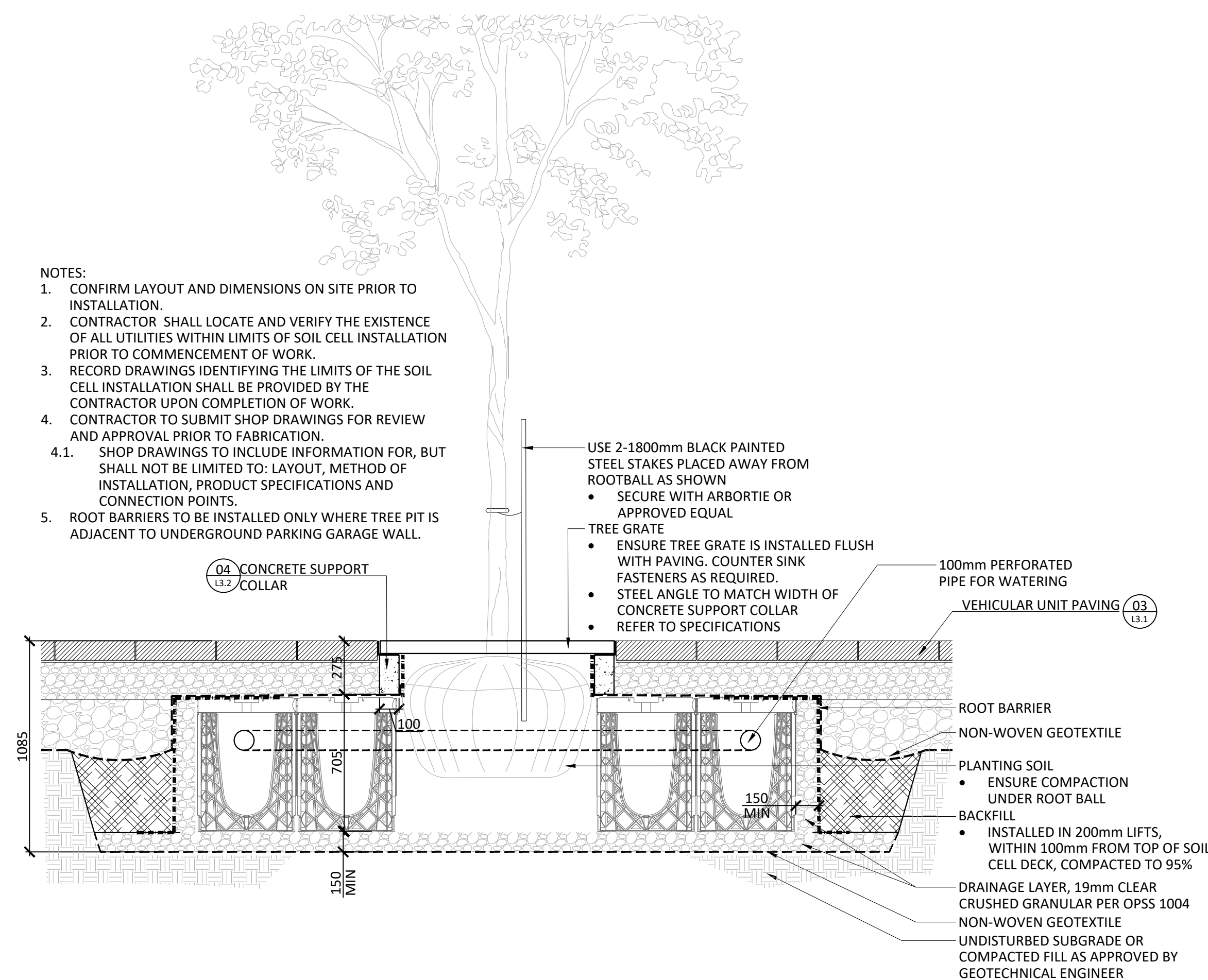
03 STREET TREE PLANTING IN SOIL CELLS - PLAN
Scale 1:30



04 CONCRETE SUPPORT COLLAR - STREET TREE PLANTING
Scale 1:20



05 STREET TREE PLANTING IN SOIL CELLS - PLANTER
Scale 1:20



06 STREET TREE PLANTING IN SOIL CELLS - TREE GRATE
Scale 1:20

- NOTES:
- CONFIRM LAYOUT AND DIMENSIONS ON SITE PRIOR TO INSTALLATION.
 - CONTRACTOR SHALL LOCATE AND VERIFY THE EXISTENCE OF ALL UTILITIES WITHIN LIMITS OF SOIL CELL INSTALLATION PRIOR TO COMMENCEMENT OF WORK.
 - RECORD DRAWINGS IDENTIFYING THE LIMITS OF THE SOIL CELL INSTALLATION SHALL BE PROVIDED BY THE CONTRACTOR UPON COMPLETION OF WORK.
 - CONTRACTOR TO SUBMIT SHOP DRAWINGS FOR REVIEW AND APPROVAL PRIOR TO FABRICATION.
 1. SHOP DRAWINGS TO INCLUDE INFORMATION FOR, BUT SHALL NOT BE LIMITED TO: LAYOUT, METHOD OF INSTALLATION, PRODUCT SPECIFICATIONS AND CONNECTION POINTS.
 2. ROOT BARRIERS TO BE INSTALLED ONLY WHERE TREE PIT IS ADJACENT TO UNDERGROUND PARKING GARAGE WALL.

GENERAL NOTES:

- All measurements in millimeters unless specified otherwise. Do not scale drawing. All drawings to be read in conjunction with written specifications.
- Copyright reserved. This drawing is the exclusive property of CSW Landscape Architects Ltd. and shall not be used without the consent thereof.
- This Drawing may not be used for construction until signed by the landscape architect. It is the responsibility of the contractor to:
 - check and verify all dimensions on site;
 - report all errors and/or omissions to the landscape architect;
 - comply with all pertinent codes and by-laws;
 - check and verify locations of all underground services with all local utilities prior to any digging.
- Proposed grades are to be read in conjunction with landscape, architectural, and engineering drawings. Report any discrepancies to the Construction Manager.

No.	Revision	Date
5	RE-ISSUED FOR SPA	21 DEC 2022
4	RE-ISSUED FOR SPA	15 SEPT 2022
3	ISSUED FOR SPA	19 APR 2022
2	ISSUED FOR COORDINATION	11 APR 2022
1	ISSUED FOR COORDINATION	11 MAR 2022

North: Stamp:

CSW Landscape Architecture
Urban Design
Site Planning
Recreation and Park Planning
Project Management

319 McRae Avenue, Suite 502, Ottawa, Ontario, K1Z 0B9
Tel: (613) 729-4536

ZIBI

dream theia PARTNERS

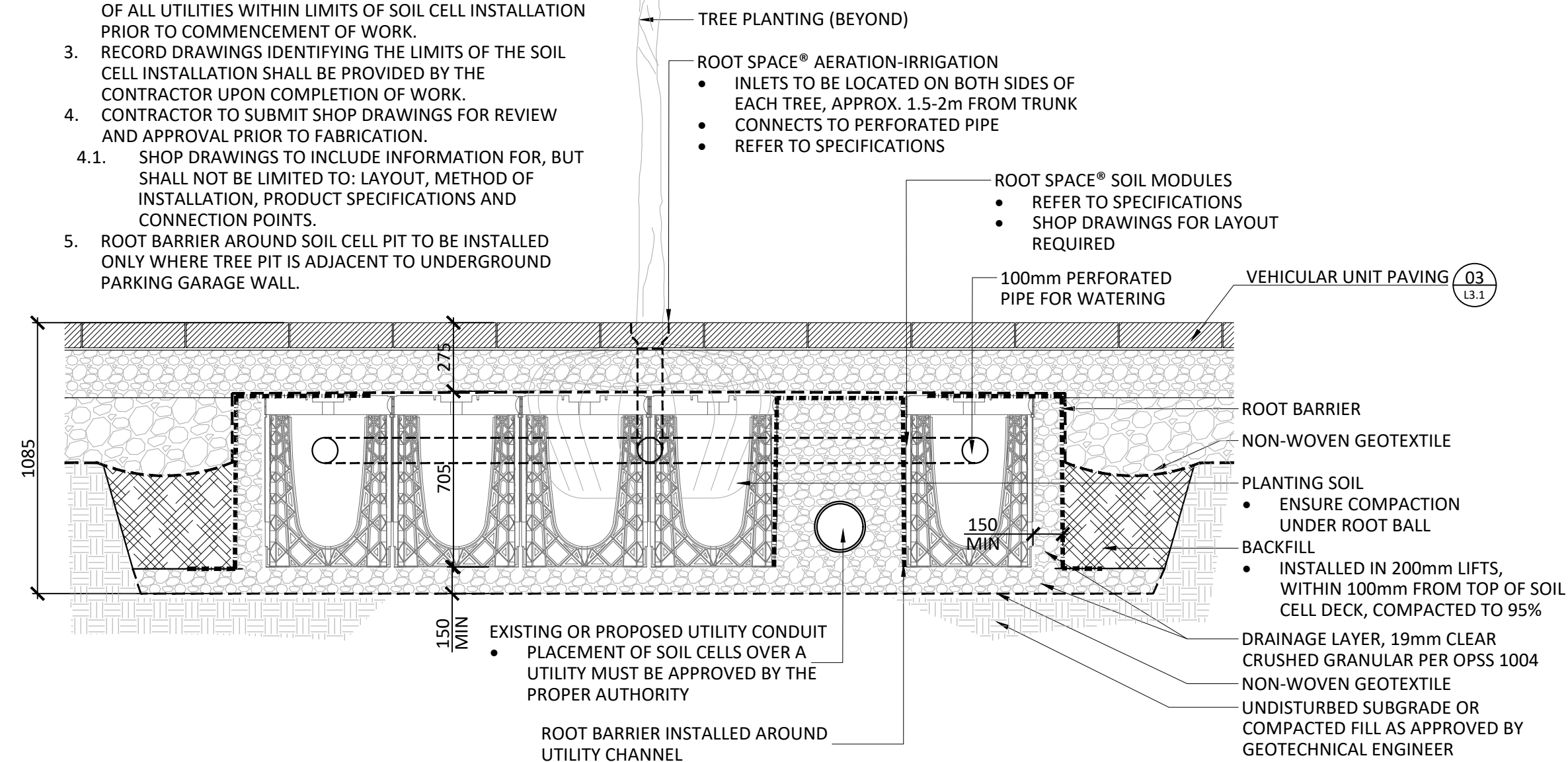
Project: ZIBI BLOCK 204
Chaudière Island West
OTTAWA, ONTARIO

Drawing: LANDSCAPE DETAILS

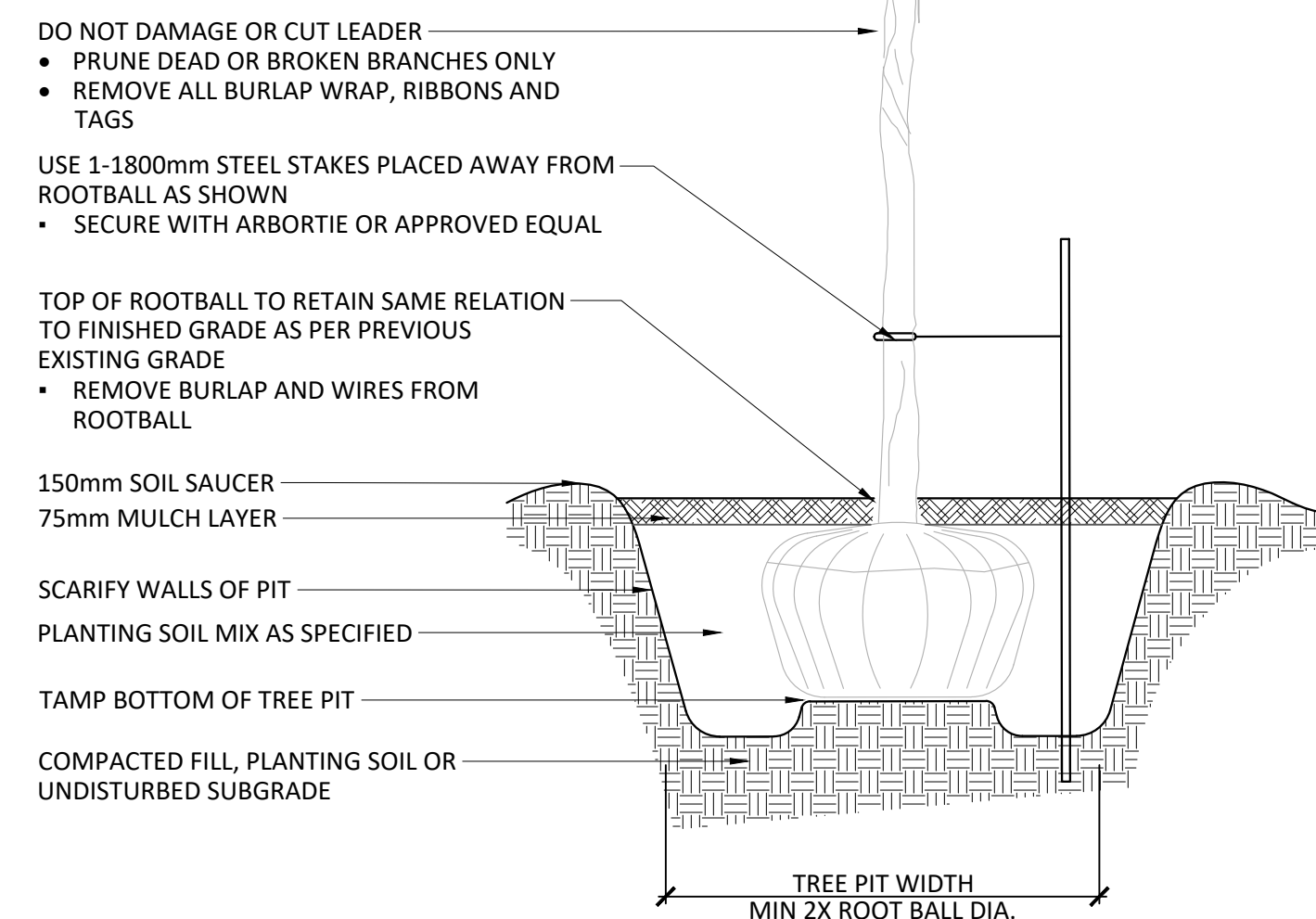
Scale: AS NOTED	Date: March 2022
Design By: SC	Drawn By: SMC
Project Number: 1981-20	Sheet Number: L3.2



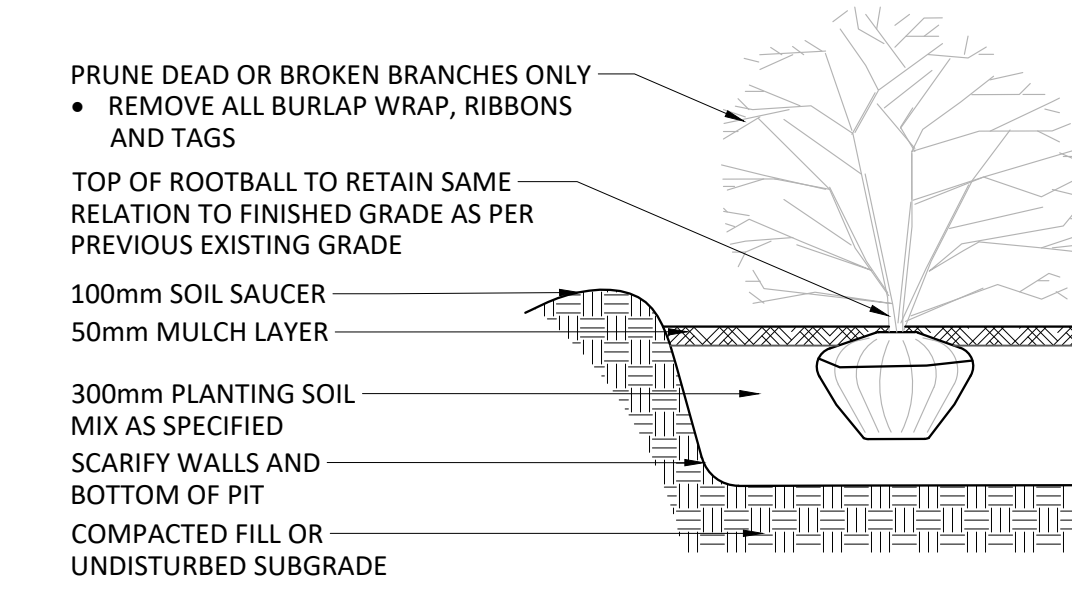
- NOTES:**
- CONFIRM LAYOUT AND DIMENSIONS ON SITE PRIOR TO INSTALLATION.
 - CONTRACTOR SHALL LOCATE AND VERIFY THE EXISTENCE OF ALL UTILITIES WITHIN LIMITS OF SOIL CELL INSTALLATION PRIOR TO COMMENCEMENT OF WORK.
 - RECORD DRAWINGS IDENTIFYING THE LIMITS OF THE SOIL CELL INSTALLATION SHALL BE PROVIDED BY THE CONTRACTOR UPON COMPLETION OF WORK.
 - CONTRACTOR TO SUBMIT SHOP DRAWINGS FOR REVIEW AND APPROVAL PRIOR TO FABRICATION.
 - SHOP DRAWINGS TO INCLUDE INFORMATION FOR, BUT SHALL NOT BE LIMITED TO: LAYOUT, METHOD OF INSTALLATION, PRODUCT SPECIFICATIONS AND CONNECTION POINTS.
 - ROOT BARRIER AROUND SOIL CELL PIT TO BE INSTALLED ONLY WHERE TREE PIT IS ADJACENT TO UNDERGROUND PARKING GARAGE WALL.



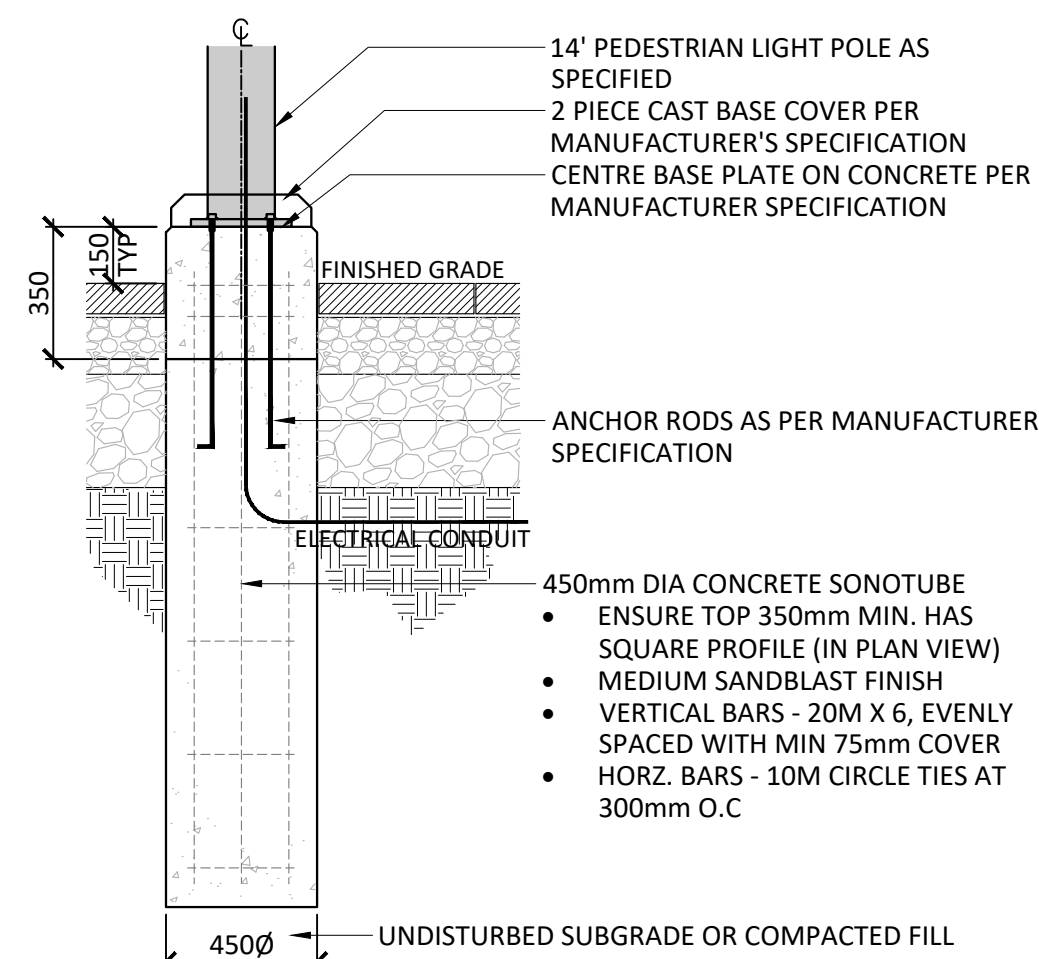
01 STREET TREE PLANTING IN SOIL CELLS - OVER UTILITY
Scale 1:20



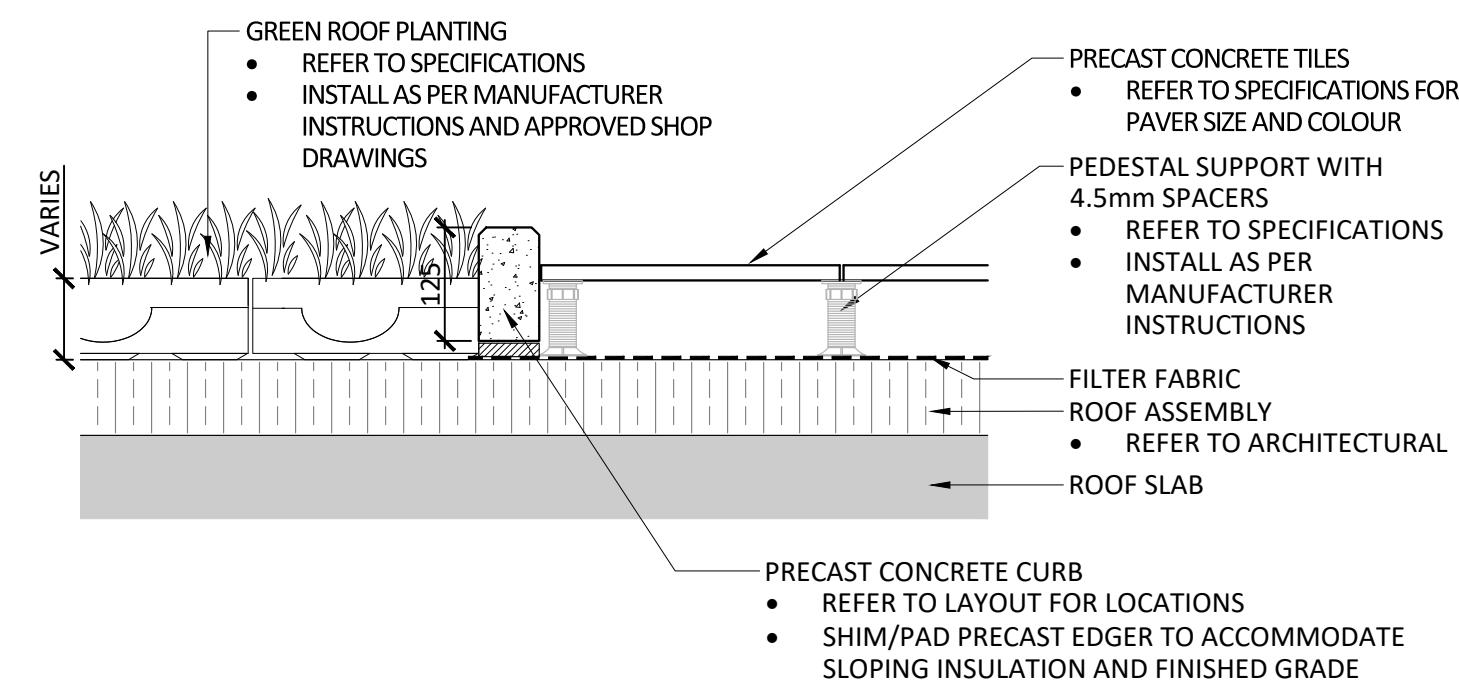
02 TREE PLANTING
NOT TO SCALE



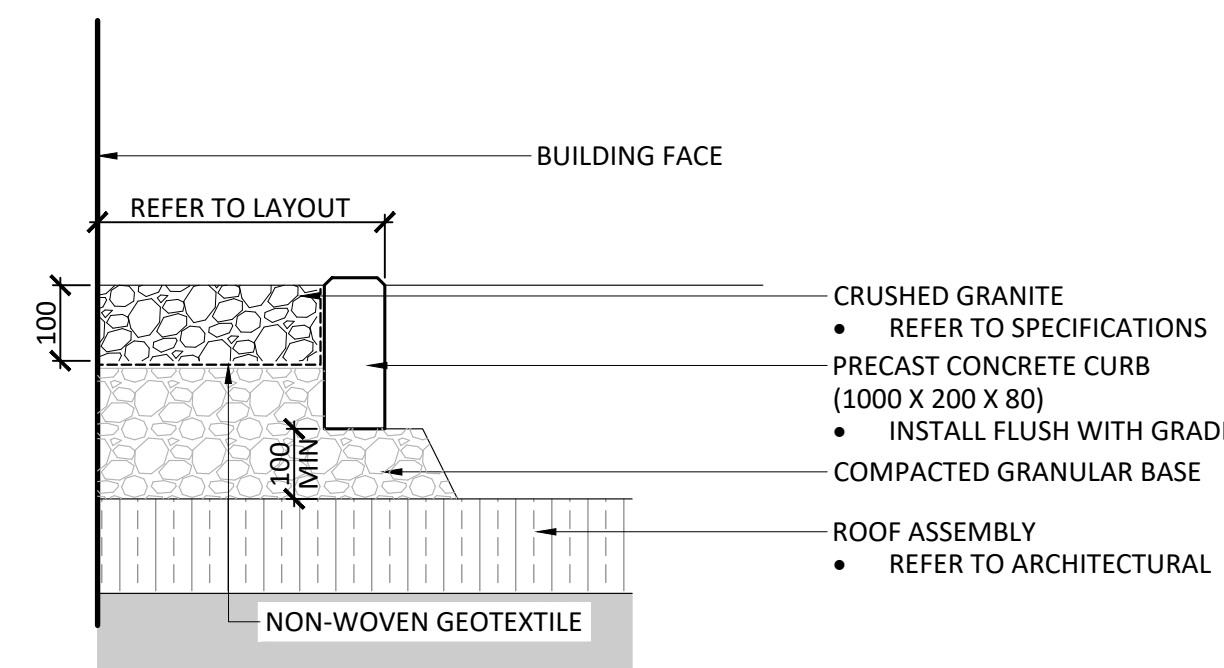
03 SHRUB / PERENNIAL PLANTING
NOT TO SCALE



04 PEDESTRIAN LIGHTING - IN SONOTUBE
Scale 1:20



05 PRECAST CONCRETE TILES
Scale 1:10



06 MAINTENANCE EDGE
Scale 1:10

GENERAL NOTES:

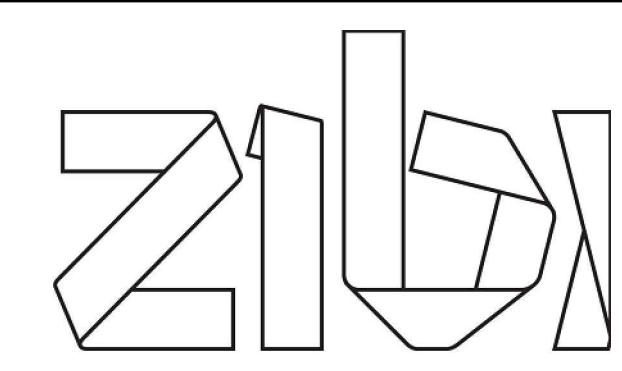
- All measurements in millimeters unless specified otherwise. Do not scale drawing. All drawings to be read in conjunction with written specifications.
- Copyright reserved. This drawing is the exclusive property of CSW Landscape Architects Ltd. and shall not be used without the consent thereof.
- This Drawing may not be used for construction until signed by the landscape architect. It is the responsibility of the contractor to:
 - check and verify all dimensions on site;
 - report all errors and/or omissions to the landscape architect;
 - comply with all pertinent codes and by-laws;
 - check and verify locations of all underground services with all local utilities prior to any digging.
- Proposed grades are to be read in conjunction with landscape, architectural, and engineering drawings. Report any discrepancies to the Construction Manager.

No.	Revision	Date
5	RE-ISSUED FOR SPA	21 DEC 2022
4	RE-ISSUED FOR SPA	15 SEPT 2022
3	ISSUED FOR SPA	19 APR 2022
2	ISSUED FOR COORDINATION	11 APR 2022
1	ISSUED FOR COORDINATION	11 MAR 2022

North: _____ Stamp: _____

CSW Landscape Architecture
Urban Design
Site Planning
Recreation and Park Planning
Project Management

319 McRae Avenue, Suite 502, Ottawa, Ontario, K1Z 0B9
Tel: (613) 729-4536



Project: **ZIBI BLOCK 204**

Chaudière Island West
OTTAWA, ONTARIO

Drawing: **LANDSCAPE DETAILS**

Scale: AS NOTED	Date: March 2022
Design By: SC	Drawn By: SMc
Project Number: 1981-20	Sheet Number: L3.3

Label Saved: 2022-12-21 2:38:20 PM File Location: Z:\Project\1981-20_ZIBI Infrastructure_Centrio\Chaudiere West\Drawings\SPA\SPAC03\001-20_ZIBI Chaudiere West_Macdonald_SPA03\Details.dwg

D07-12-22-0071