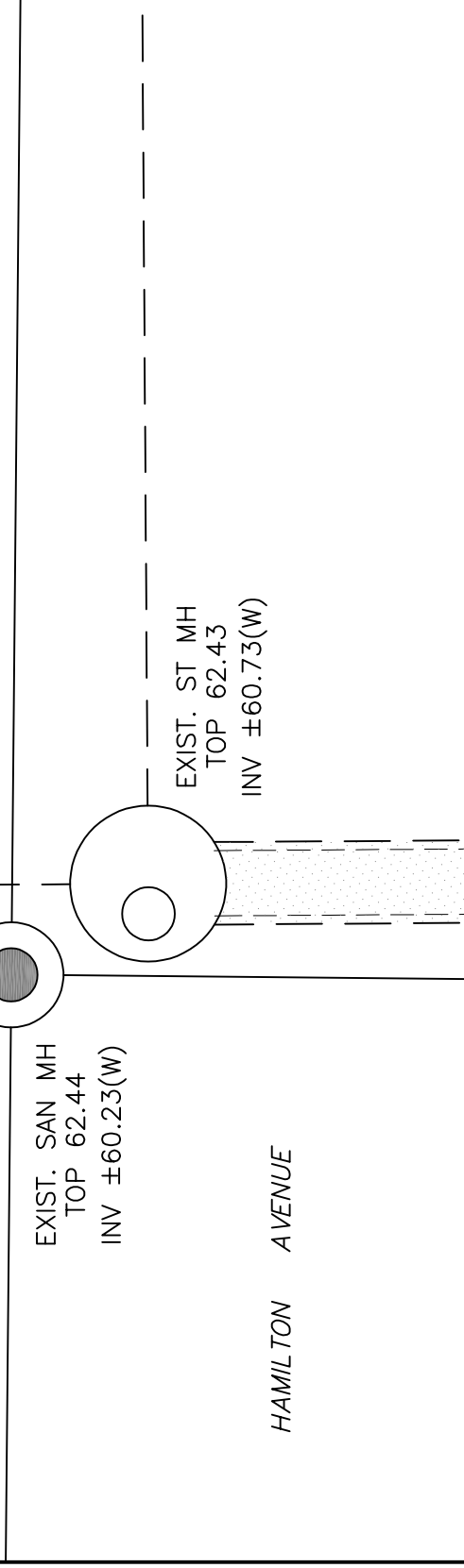
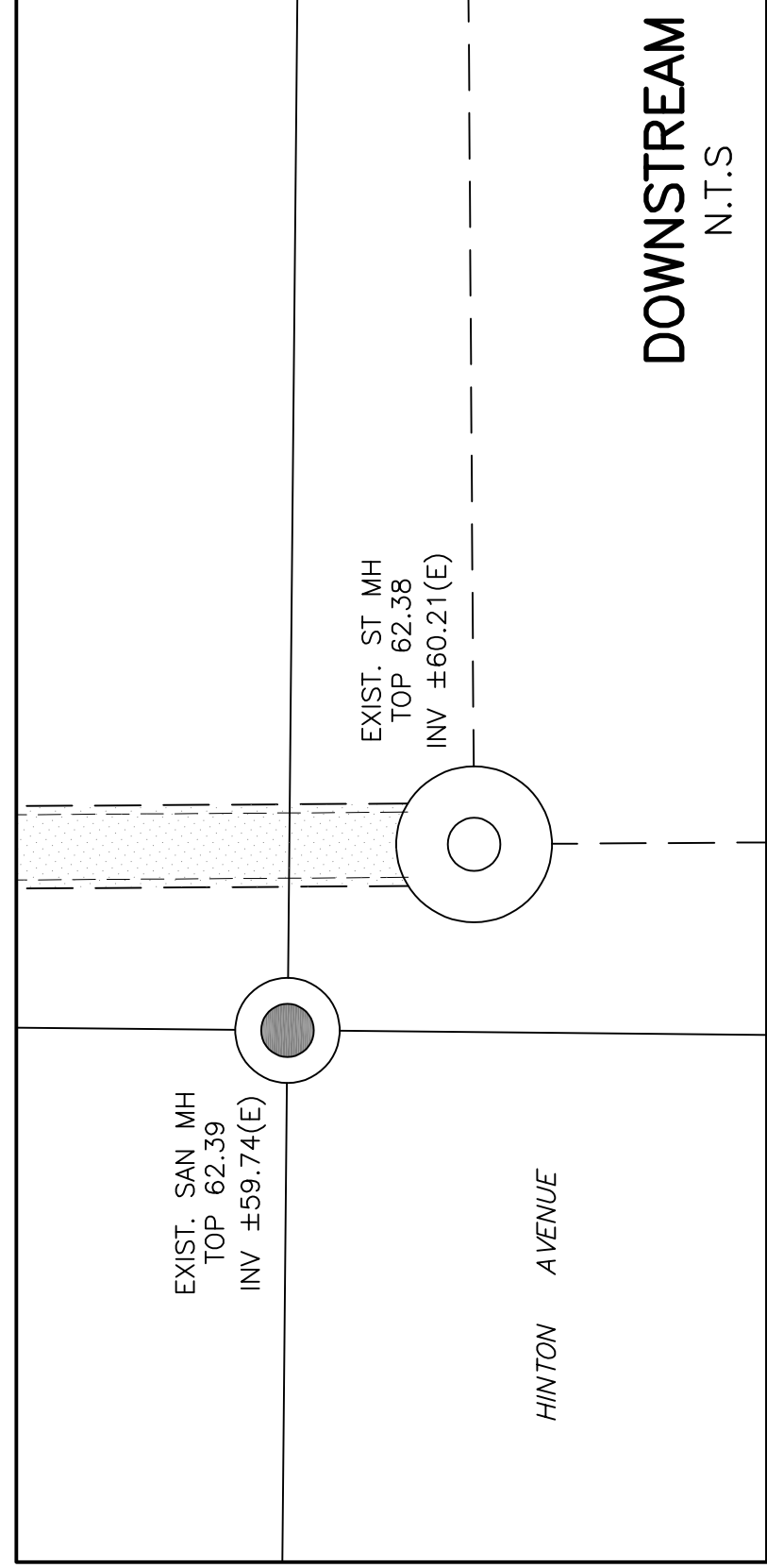
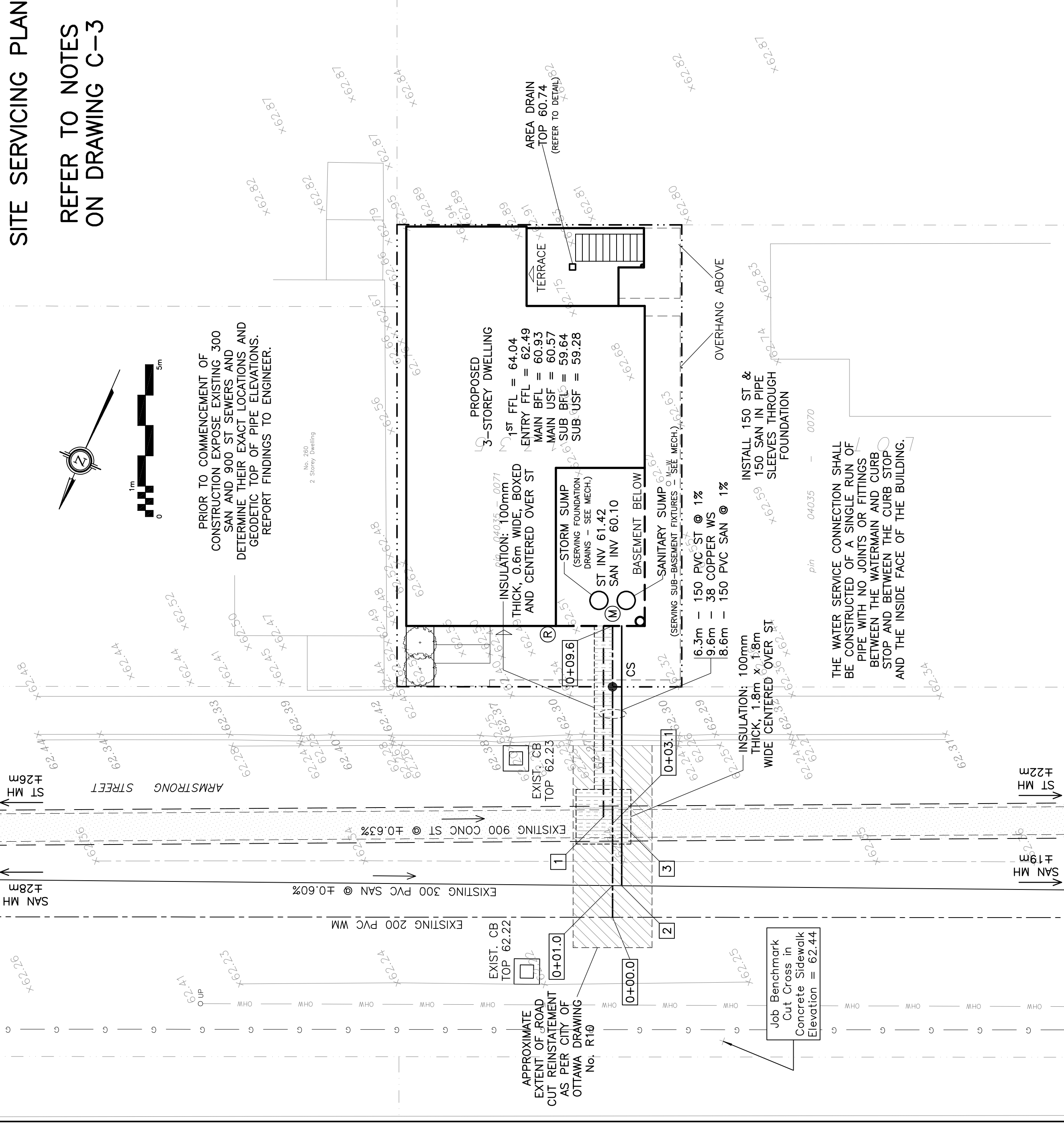


UPSTREAM
N.T.S



SITE SERVICING PLAN
REFER TO NOTES
ON DRAWING C-3

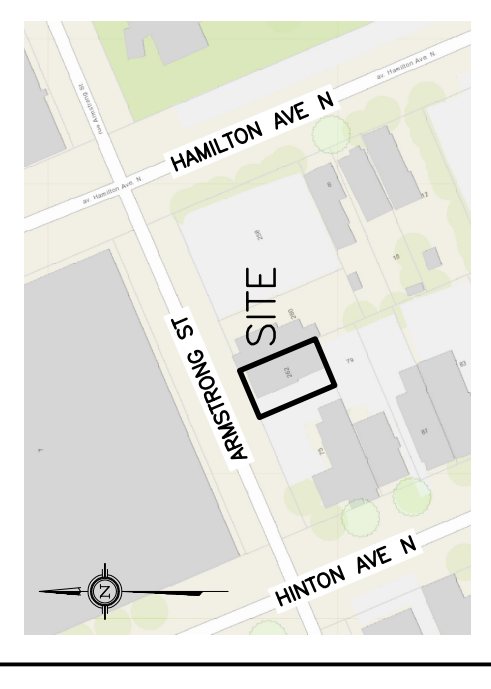


REF	CROSSING & CONNECTION DETAILS	CLEARANCE
1	150 ST INV 61.36 900 ST OBV ±61.36	-
2	150 SAN SPL 60.09 300 SAN SPL ±60.09	-
3	900 ST U/S ±60.32 150 SAN TOP 60.19	±130mm

DRAWING LEGEND

CB	CATCH-BASIN
MH	STORM MANHOLE
MH	SANITARY MANHOLE
OBV	OBVERT OF PIPE
SPL	SPRINGLINE OF PIPE
INV	INVERT OF PIPE
SAN	SANITARY SEWER
ST	STORM SEWER
WS/WM	WATER SERVICE/WATERMAIN
CS	CURB STOP & STANDPOST
RD	ROOF DRAIN
WM	WATER METER
RM	REMOTE WATER METER READOUT
±99.99	EXISTING GRADE ELEVATION
+99.99	PROPOSED GRADE ELEVATION
2%	EXISTING SLOPE OF GRADE
2%	PROPOSED SLOPE OF GRADE
---	PROPERTY LINE
---	CENTERLINE OF SWALE
---	INTERLOCK
---	LANDSCAPE
FFL	FIRST FLOOR ELEVATION
TOF	TOP OF FOUNDATION
BFL	BASEMENT FLOOR ELEVATION
USF	UNDERSIDE OF FOOTING

KEY PLAN



No.	DATE	REVISION
4	DEC 12-22	RE-ISSUED FOR APPROVAL
3	FEB 24-22	ISSUED FOR APPROVAL
2	FEB 10-22	ISSUED FOR COORDINATION
1	JUN 8-21	PRELIMINARY

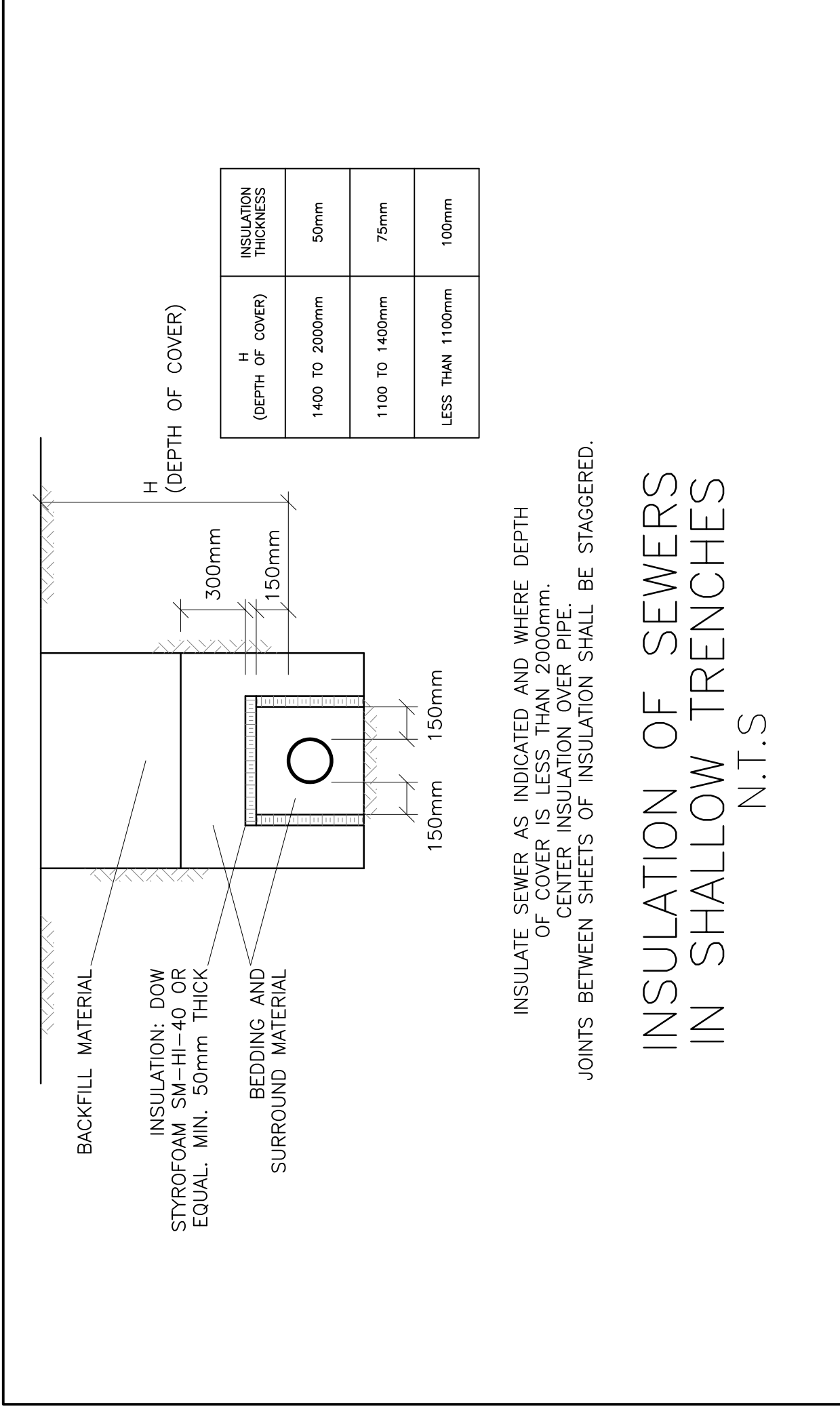
D. B. GRAY ENGINEERING INC.
 Professional Engineers
 700 Long Point Circle
 Ottawa, Ontario
 613-425-8044
 d.gray@dbgrayengineering.com

Project
**PROPOSED 3-STORY
 4-UNIT APARTMENT BUILDING**
 262 ARMSTRONG STREET
 OTTAWA, ONTARIO

Drawing Title
SITE SERVICING PLAN

Engineer's Seal
 D.B.G.
 Drawn
 H. Scale
 V. Scale
 Date
 Job No.

Drawing No.
C-1
 of **3**



INSULATE SEWER AS INDICATED AND WHERE DEPTH OF COVER IS LESS THAN 2000mm, CENTER INSULATION OVER PIPE. JOINTS BETWEEN SHEETS OF INSULATION SHALL BE STAGGERED.

INSULATION OF SEWERS
 IN SHALLOW TRENCHES
 N.T.S

WATER SERVICE PROFILE TABLE

MATERIAL:
 38mm COPPER ASTM B88 TYPE "K" SOFT

STATION	DESCRIPTION	GRADE ELEVATION	TOP OF PIPE	DEPTH OF COVER	NOTES
0+00.0	TYS CONNECTION TO 200mm MUNICIPAL WATERMAIN	±62.29	±59.95	±2.34	-
0+01.0	-	±62.32	59.79	±2.53	CROSSING 300 SAN INV ±59.94 WM TOP 59.79 (150mm CLEARANCE)
0+03.1	-	±62.31	59.81	±2.50	CROSSING 900 ST U/S 60.32 WM TOP 59.81 (510mm CLEARANCE)
0+05.7	-	±62.23	59.83	±2.40	BOTTOM OF CURB
0+07.6	38mm CURB STOP & SERVICE POST TO CITY OF OTTAWA STANDARDS	62.33	59.93	2.40	ON PROPERTY LINE
0+08.5	-	62.42	60.02	2.40	ENTRY INTO BUILDING