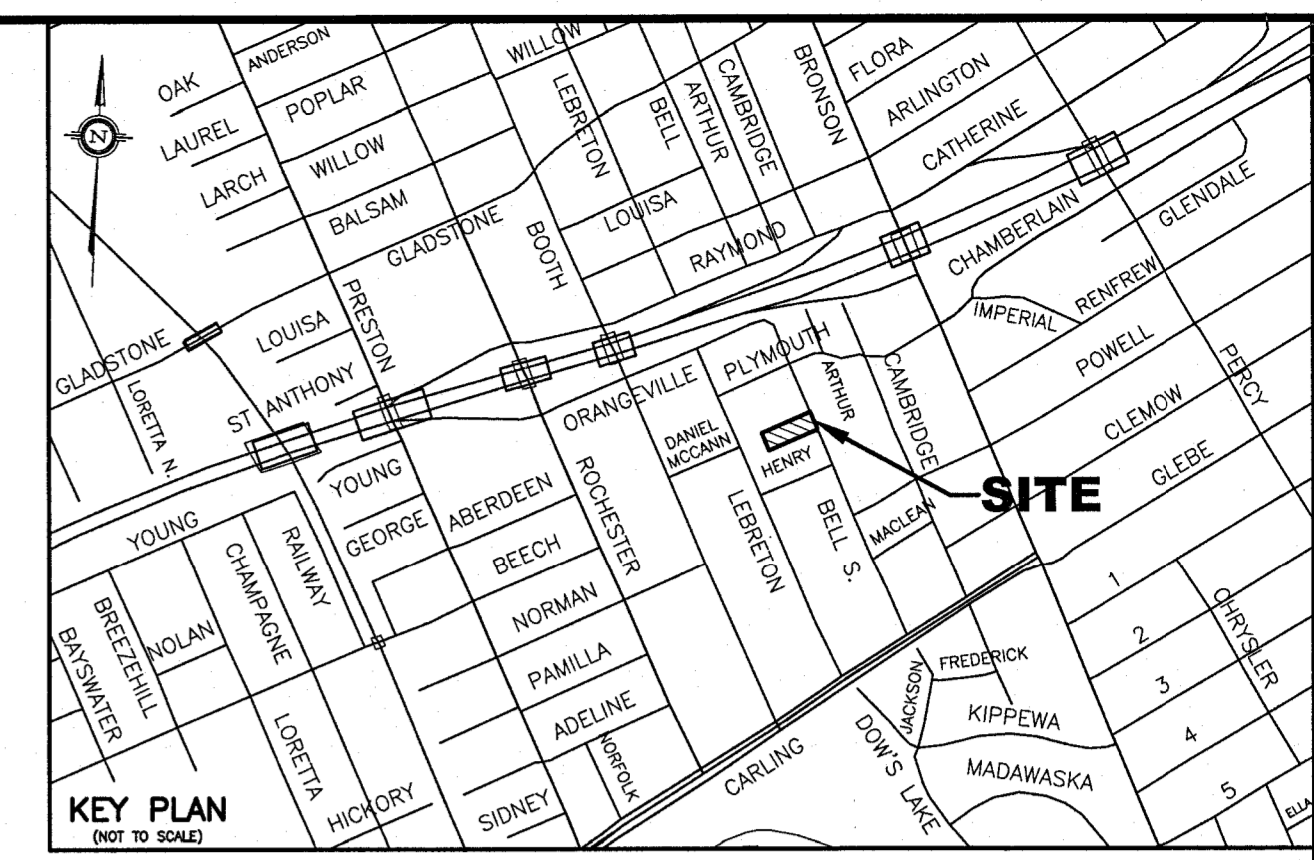
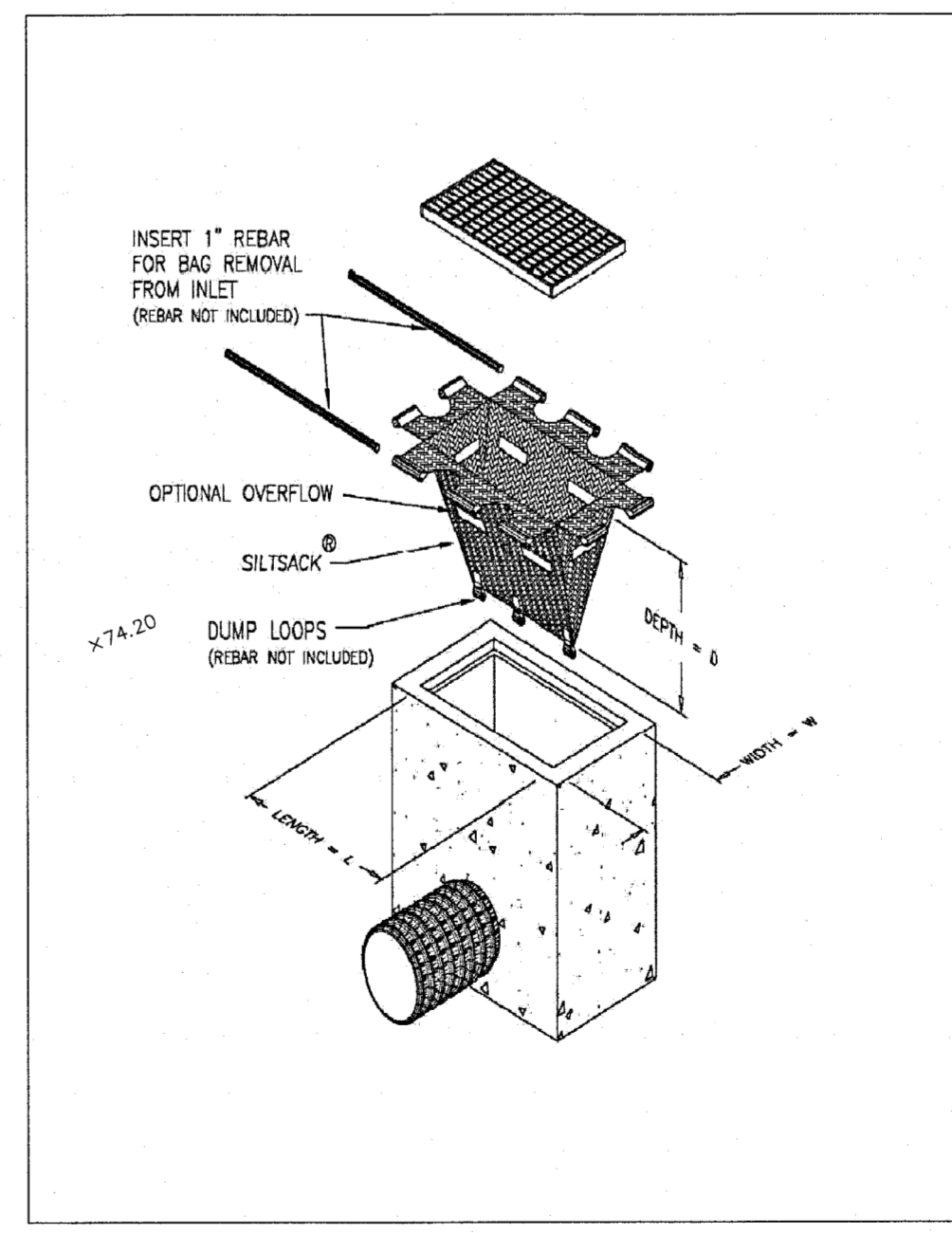
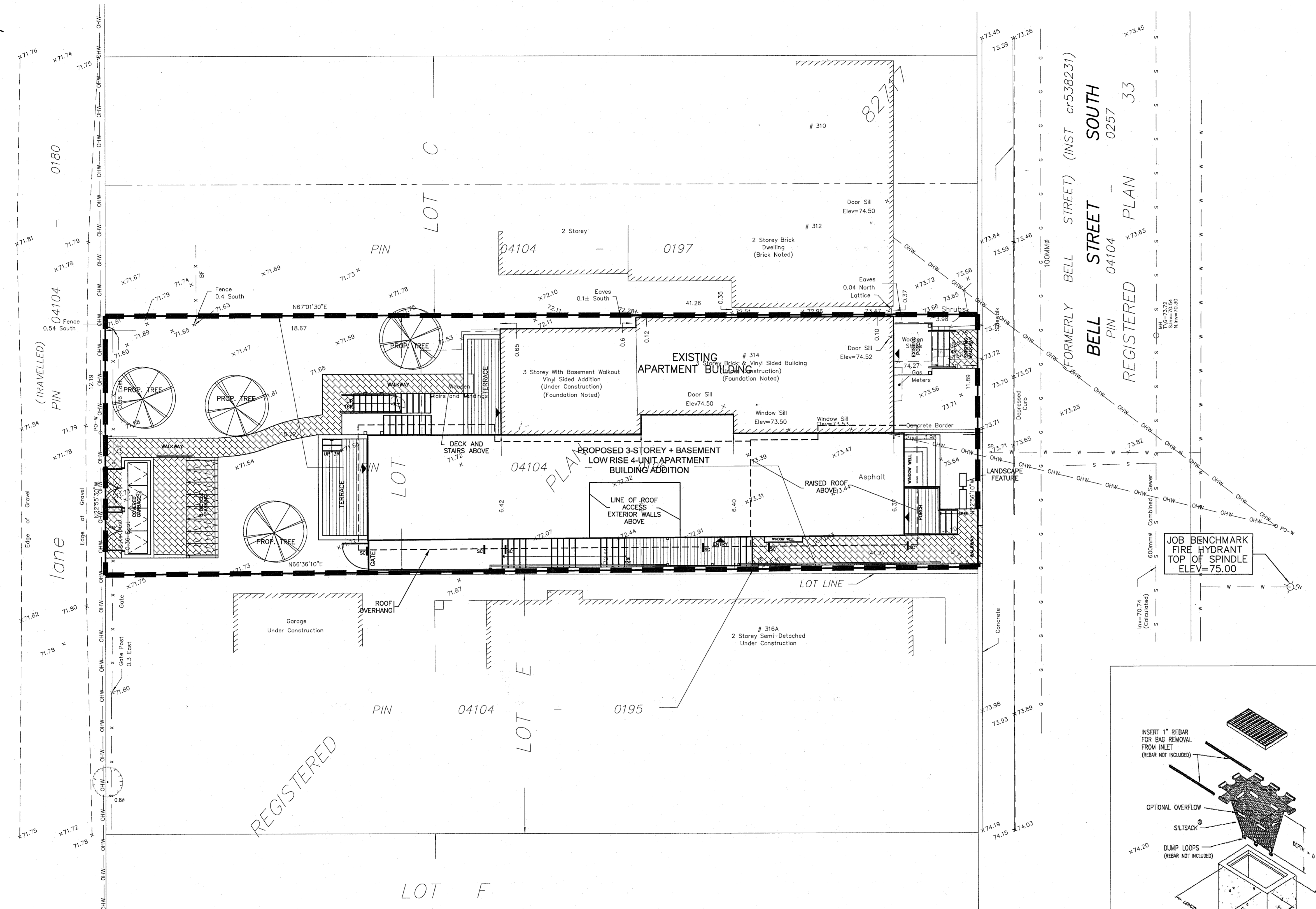


LEGEND
 ■■■■■ SILT FENCE BARRIER LOCATION

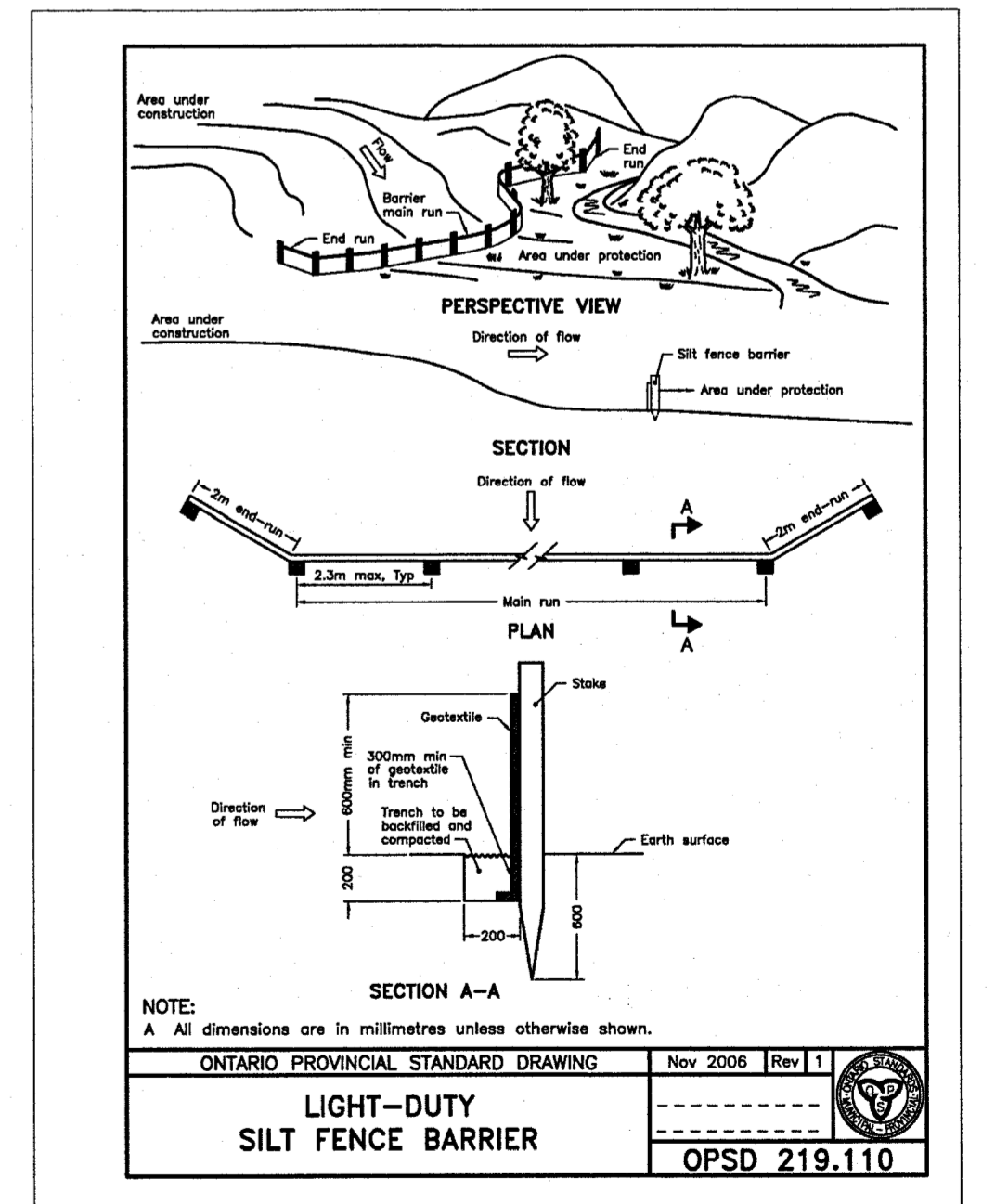


EROSION AND SEDIMENT CONTROL NOTES

- BEST MANAGEMENT PRACTICES**
- EROSION AND SEDIMENT CONTROLS (BEST MANAGEMENT PRACTICES) SHALL BE PROVIDED DURING CONSTRUCTION OF THIS PROJECT. EROSION MUST BE MINIMIZED AND SEDIMENTS MUST BE REMOVED FROM CONSTRUCTION SITE RUNOFF IN ORDER TO PROTECT DOWNSTREAM AREAS. DURING ALL CONSTRUCTION, EROSION AND SEDIMENTATION SHOULD BE CONTROLLED BY THE FOLLOWING TECHNIQUES:
1. MINIMIZE THE EXTENT OF EXPOSED SOILS.
 2. MINIMIZE THE AREA TO BE CLEARED AND GRUBBED.
 3. PROTECT EXPOSED SLOPES WITH PLASTIC OR SYNTHETIC MULCHES.
 4. INSTALL "SILTSACK" CATCH BASIN SEDIMENT CONTROL DEVICE OR EQUAL IN CATCH BASINS ALONG BELL STREET SOUTH ON-SITE AND OFF-SITE WITHIN THE ROAD RIGHT OF WAY ADJACENT TO THIS PROPERTY AS RECOMMENDED BY THE MANUFACTURER. SILTSACK SHALL BE INSPECTED EVERY 2 TO 3 WEEKS AND AFTER EVERY MAJOR STORM.
 5. INSTALL SILT FENCES AROUND THE PERIMETER OF STOCKPILES OF TOPSOIL TO BE USED OR REMOVED FROM SITE. (LOCATION TO BE DETERMINED).
 6. SEDIMENT CONTROL DEVICES SHALL BE INSPECTED EVERY 2 TO 3 WEEKS AND AFTER MAJOR STORMS AND CLEANED OF ANY ACCUMULATED SILT AS REQUIRED. THE DEPOSITS WILL BE DISPOSED OF AS PER THE REQUIREMENTS OF THE CONTRACT.
 7. IN SOME CASES SOME FILTER BARRIERS MAY BE REMOVED TEMPORARILY TO ACCOMMODATE CONSTRUCTION OPERATIONS. THE AFFECTED AREAS WILL BE REINSTATED AT NIGHT WHEN CONSTRUCTION IS COMPLETED. REMOVAL SHALL NOT OCCUR IF RUNOFF OR RAINFALL IS PREDICTED UNLESS A NEW DEVICE HAS BEEN INSTALLED TO PROTECT THE EXISTING STORM AND SANITARY SEWER SYSTEMS.
 8. NO REFUELING OR CLEANING OF EQUIPMENT IS PERMITTED NEAR ANY EXISTING WATERWAYS.
 9. DURING THE CONSTRUCTION PERIOD, THE CONTRACTOR SHALL INSPECT, MAINTAIN AND REMOVE THE CONTROL MEASURES.
 10. THIS PROPOSED EROSION AND SEDIMENT CONTROL PLAN IS CONSIDERED BY (RVCA) A LIVING DOCUMENT WHICH MAY BE MODIFIED IN THE EVENT THE CONTROL MEASURES ARE INSUFFICIENT.
 11. CONTRACTOR IS RESPONSIBLE TO KEEP THE ROADS FREE AND CLEAN FROM MUD AND DEBRIS DURING THE CONSTRUCTION PERIOD.

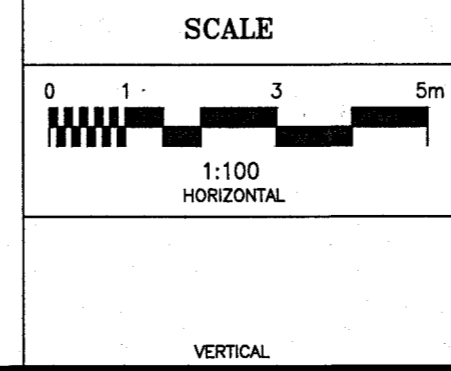


TYPICAL CATCH BASIN CONTROL DEVICE
N.T.S.



ONTARIO PROVINCIAL STANDARD DRAWING
LIGHT-DUTY SILT FENCE BARRIER
 Nov 2008 [Rev 1]
 OPSD 219.110

NO.	REVISION	DATE	BY
2	REVISIONS AS PER LATEST REVISED SITE PLAN OF MARCH 16, 2022	03/17/22	TLM
1	ISSUED FOR HOUSE DESIGNER'S REVIEW PER UPDATED SITE PLAN OF FEBRUARY 3, 2022	03/16/22	TLM



DESIGN	T.L.M.
CHECKED	T.L.M.
DRAWN BY	P.M.
CHECKED	T.L.M.
APPROVED	T.L.M.

PROJECT
314 BELL STREET PART OF LOT D REGISTERED PLAN 82717 CITY OF OTTAWA

DRAWING TITLE
PROPOSED EROSION AND SEDIMENT CONTROL PLAN

T.L. MAK ENGINEERING CONSULTANTS LTD. CONSULTING ENGINEERS		
PROJECT No.	DATE	DRAWING No.
821-102	AUGUST 2021	ESC-1