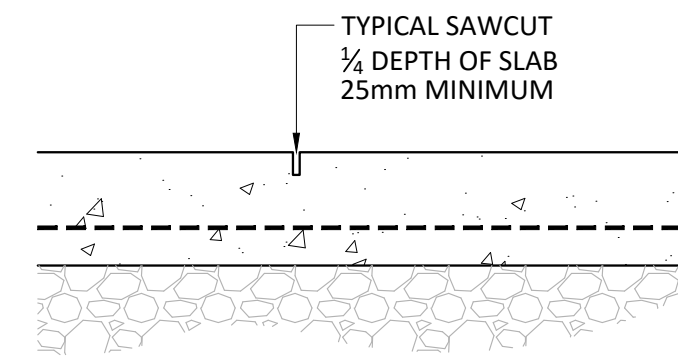
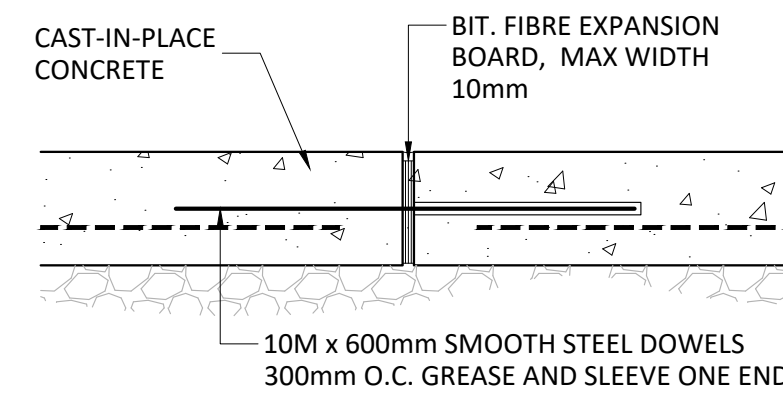


01 CONCRETE PAVING  
Scale 1:10



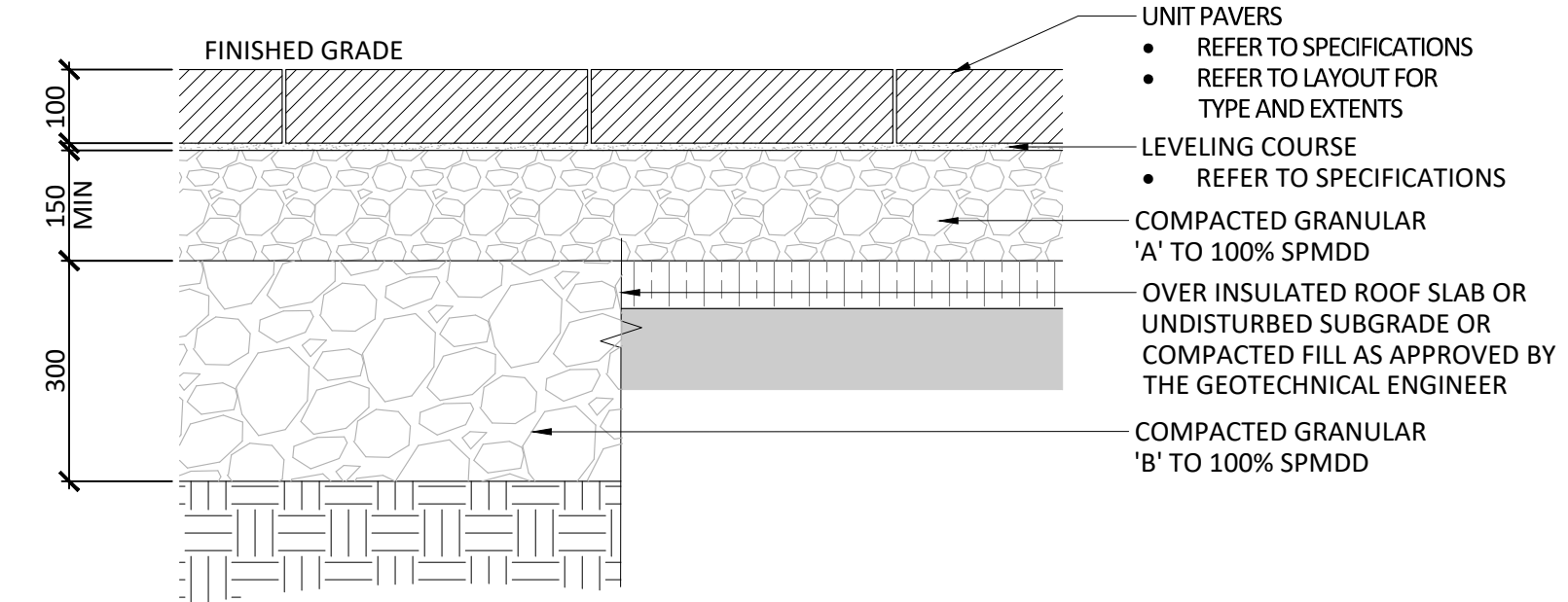
NOTES:  
1. REFER TO DRAWINGS FOR JOINT LAYOUT  
2. SAWCUT WITHIN 48 HOURS OF POUR  
3. NO TOOLED EDGES

CONTROL JOINT (CJ)

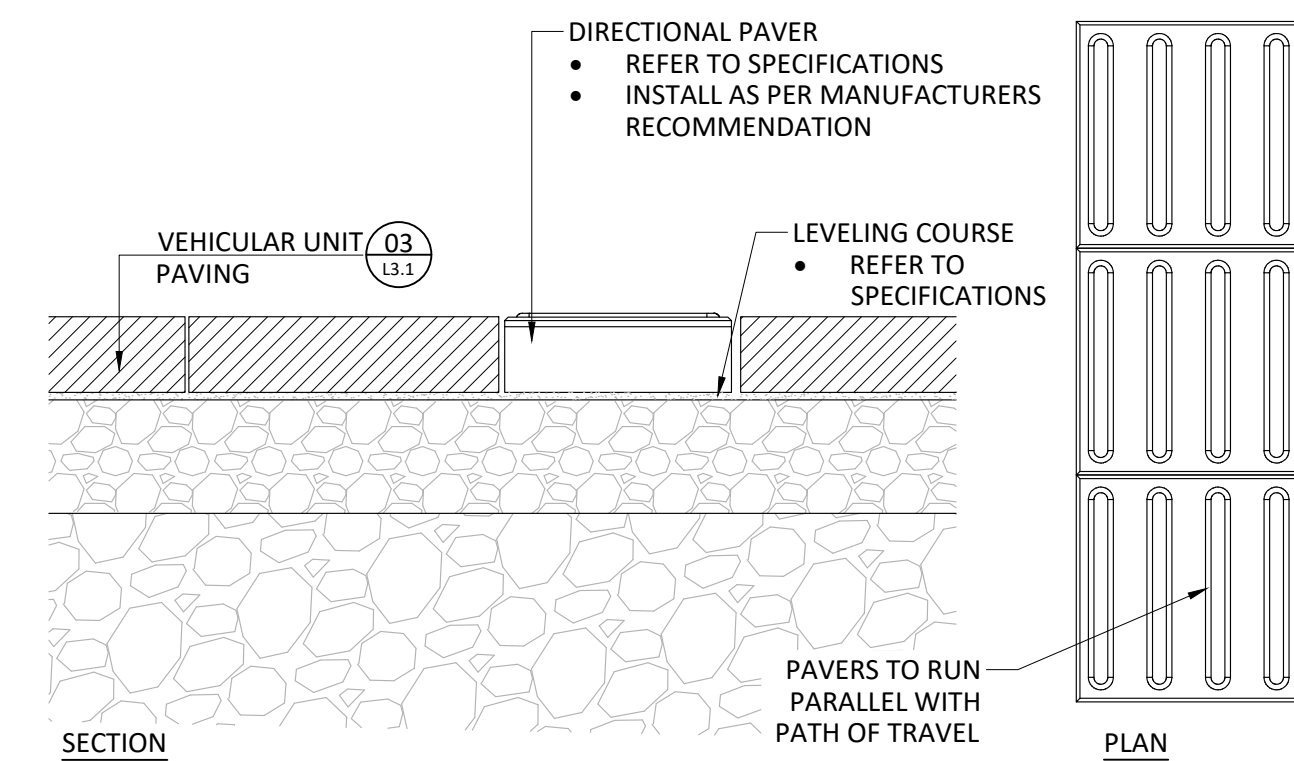


NOTES:  
1. REFER TO DRAWINGS FOR JOINT LAYOUT  
2. NO TOOLED EDGES

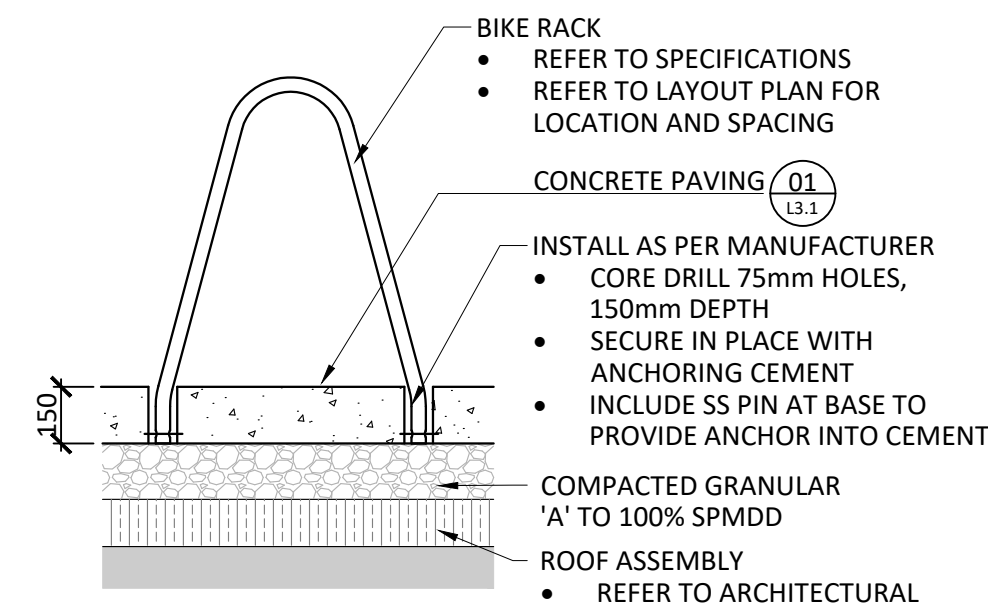
EXPANSION JOINT (EJ)



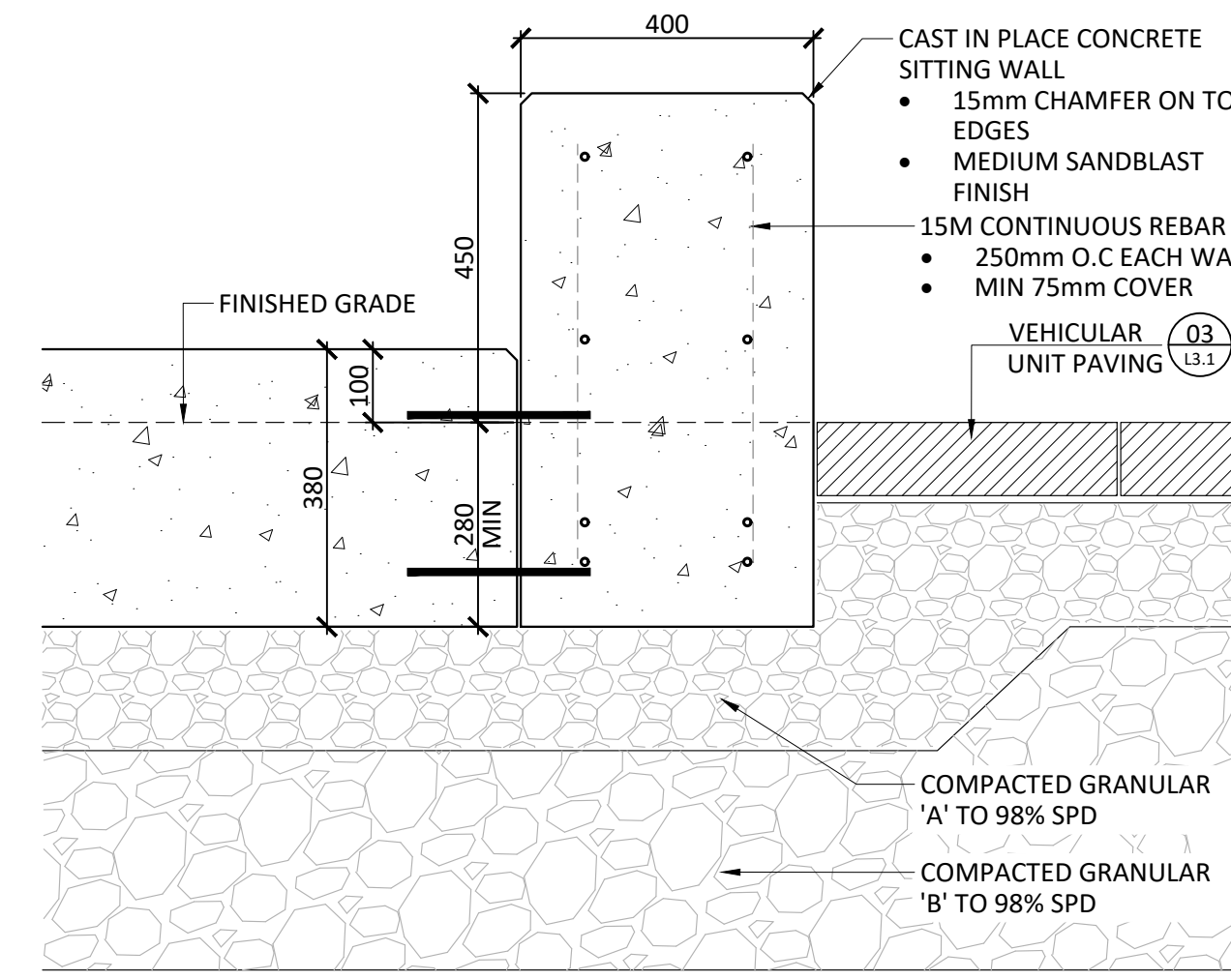
03 VEHICULAR UNIT PAVING  
Scale 1:10



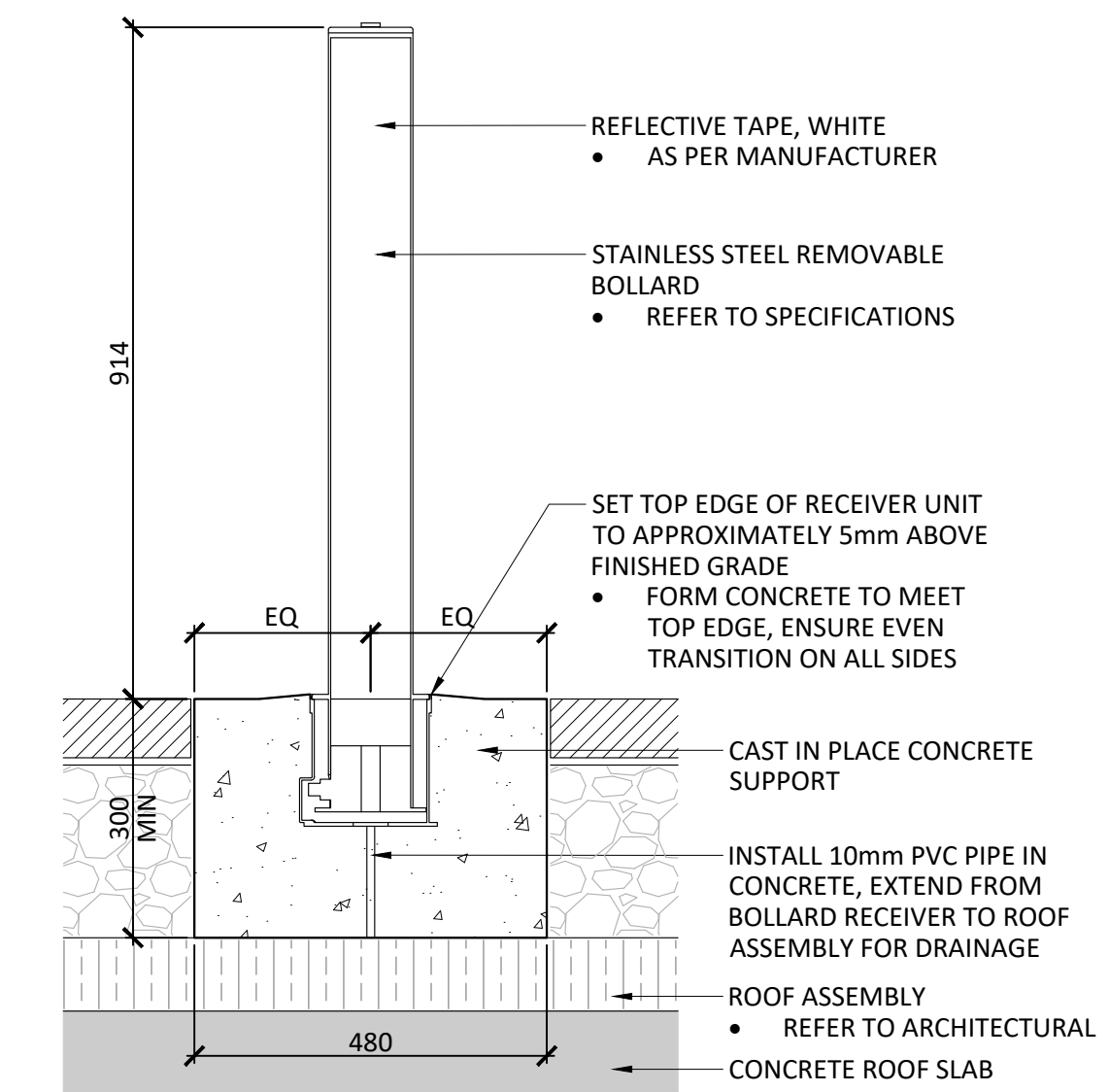
04 DIRECTIONAL PAVING  
Scale 1:10



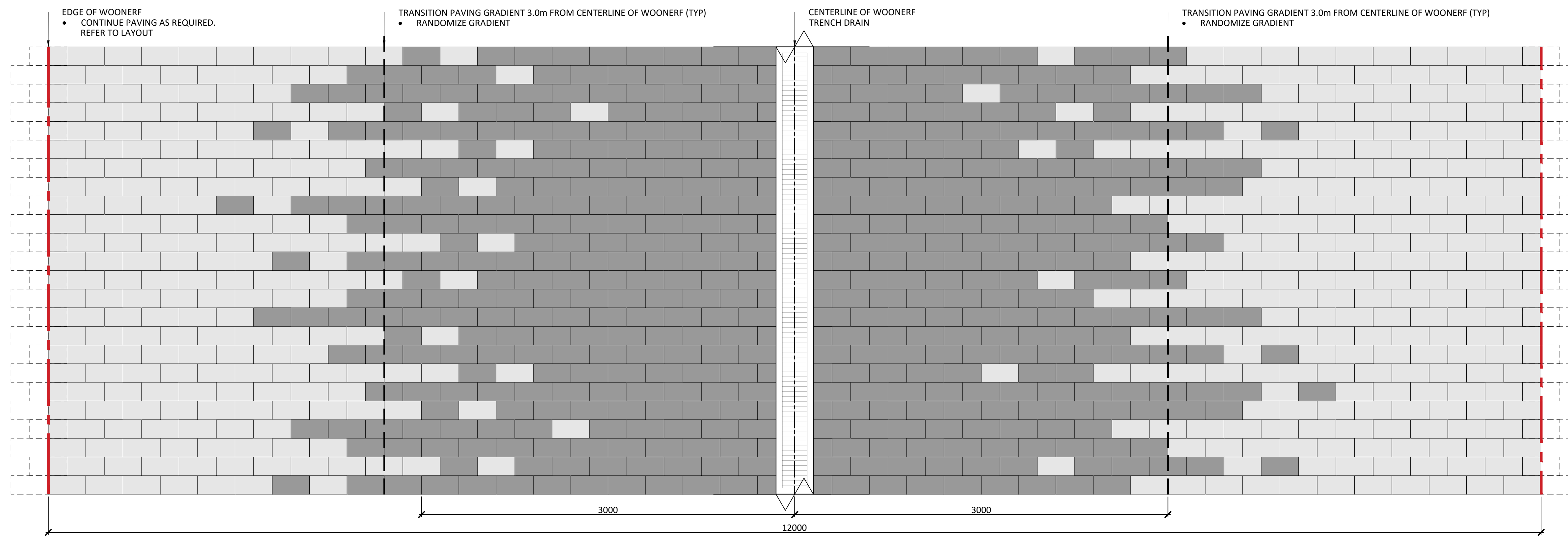
05 BICYCLE PARKING  
Scale 1:20



06 CONCRETE SITTING WALL  
Scale 1:10



07 REMOVABLE BOLLARD  
Scale 1:10



08 WOONERF PAVING PATTERN  
Scale 1:20

GENERAL NOTES:

- All measurements in millimeters unless specified otherwise. Do not scale drawing. All drawings to be read in conjunction with written specifications.
- Copyright reserved. This drawing is the exclusive property of CSW Landscape Architects Ltd. and shall not be used without the consent thereof.
- This Drawing may not be used for construction until signed by the landscape architect. It is the responsibility of the contractor to:
  - check and verify all dimensions on site;
  - report all errors and/or omissions to the landscape architect;
  - comply with all pertinent codes and by-laws;
  - check and verify locations of all underground services with all local utilities prior to any digging.
- Proposed grades are to be read in conjunction with landscape, architectural, and engineering drawings. Report any discrepancies to the Construction Manager.

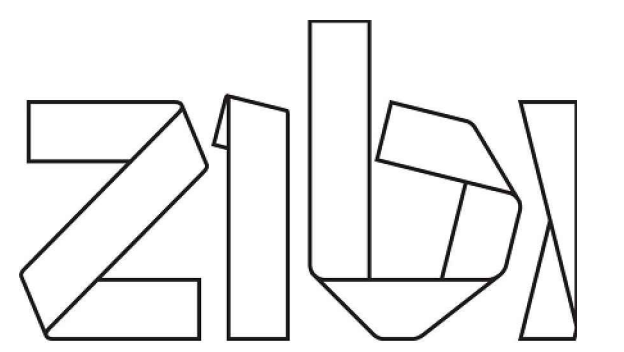
No.	Revision	Date
3	ISSUED FOR SPA	19 APR 2022
2	ISSUED FOR COORDINATION	11 APR 2022
1	ISSUED FOR COORDINATION	11 MAR 2022

North: Stamp:



CSW Landscape Architecture  
Urban Design  
Site Planning  
Recreation and Park Planning  
Project Management

319 McRae Avenue, Suite 502, Ottawa, Ontario, K1Z 0B9  
Tel: (613) 729-4536



Project:  
**ZIBI BLOCK 204**  
Chaudière Island West  
OTTAWA, ONTARIO

Drawing:  
**LANDSCAPE DETAILS**

Scale: AS NOTED	Date: March 2022
Design By: SC	Drawn By: SMc
Project Number: 1981-20	Sheet Number: L3.1