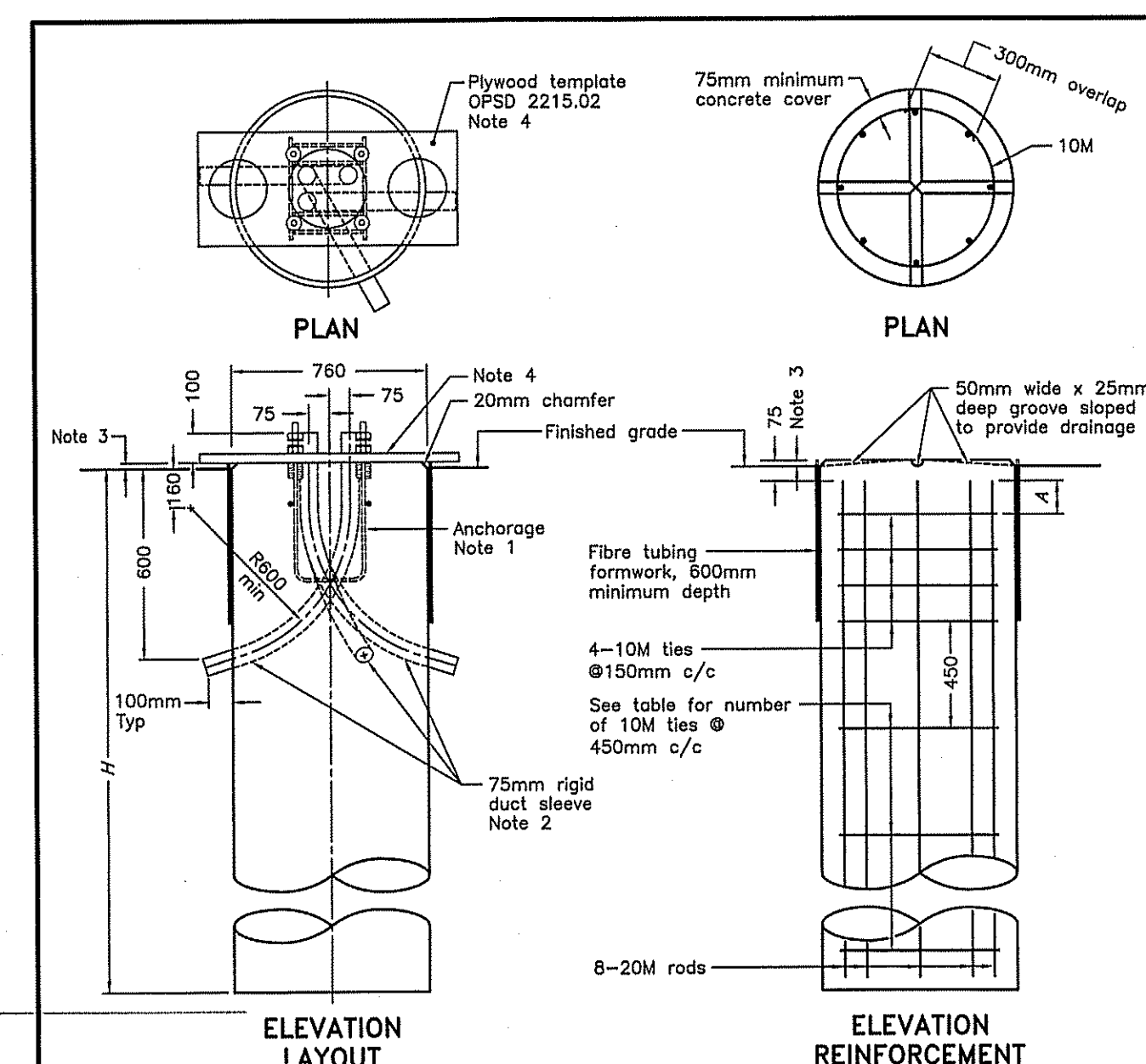
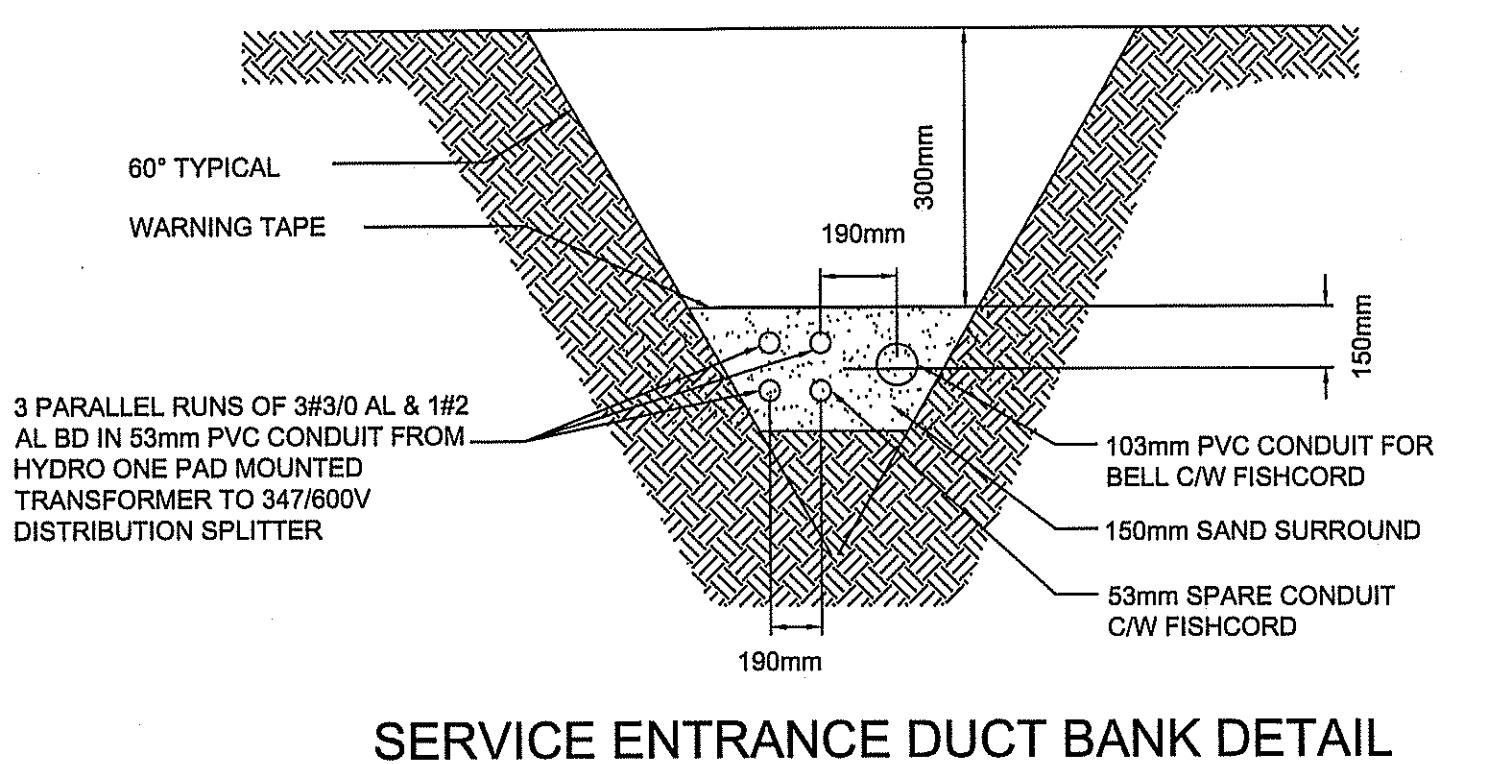
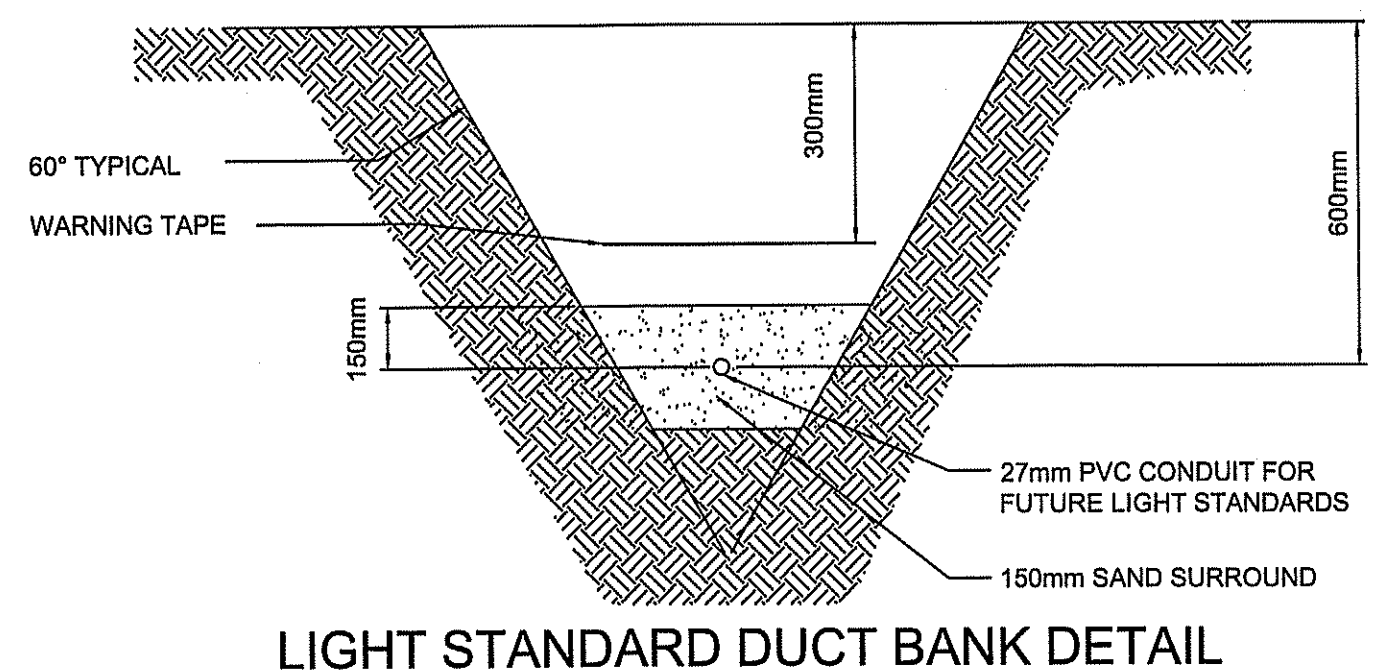


UPPER CANADA STRE

- LIGHTING LEGEND**
- ☒ 30" STEEL POLE ON CONCRETE BASE C/W ARM FOR MOUNTING OF LIGHTING FIXTURE TYPE 'A'
 - "GE" LIGHT STANDARD MODEL #EALS02-H4AF730 OR APPROVED ALTERNATE MOUNTED ON 30" SQUARE POLE.
 - "GE" WALL PACK MODEL #EWLS01-15AF730 OR APPROVED ALTERNATE MOUNTED ON 12" ABOVE FINISHED GRADE.



NOTES:

- For anchorage assembly see OPSD 2215.02.
- Minimum of two sleeves required for each concrete footing. Three sleeves as specified.
- Top of footing shall be installed at 40mm ±15mm above finished grade in paved or concrete areas and 75mm ±25mm above finished grade in earth or granular areas.
- Plywood template set level. Remove to finish concrete after initial set.
- For pole mounting details see OPSD 2215.03.
- All dimensions are in millimetres unless otherwise shown.

ONTARIO PROVINCIAL STANDARD DRAWING

CONCRETE FOOTING FOR BASE MOUNTED LIGHTING AND SIGNAL POLES

OPSD 2200.01

Nov 2012 Rev 2

REVISION				
DATE (MM/DD/YY)	REV. No.	REASON FOR REVISION	BY	APPD BY
03/10/20	1	ISSUED FOR SITE PLAN APPROVAL	BS	ND
03/12/20	2	REISSUED FOR SITE PLAN CONTROL	BS	ND

ISSUE

CONSULTANT

HSP Engineering and Environmental Services

HSP Inc.
5715 Warner Drive
Long Sault, ON
Canada K0C 1P0
T: 613-932-3289
F: 613-937-0125
www.hsp.ca

Kristopher D. Barnes, OAA, MRAC, LEED AP

OPA open plan architects inc.
architecture | interiors | concepts

2305 HILLARY AVE. | OTTAWA | ON | K1H 7J2
613.885.5090 | info@openplan.ca

THIS DRAWING, SPECIFICATIONS AND RELATED DOCUMENTS ARE THE PROPERTY OF HSP INC. AND MUST BE RETURNED UPON REQUEST. UNAUTHORIZED USE OF THIS DRAWING, DISCLOSURE OF TECHNICAL INFORMATION CONTAINED THEREIN, OR REPRODUCTION EITHER IN WHOLE OR IN PART FOR USE BY ALL THIRD PARTIES, IS FORBIDDEN UNLESS WITH PRIOR WRITTEN PERMISSION OF ALL HSP INC. ALL SUCH AUTHORIZED REPRODUCTIONS SHOULD BEAR THIS NOTICE.

DRAWING SHOULD NOT BE SCALED. DIMENSIONS SHOWN MUST NOT BE USED FOR CONSTRUCTION UNTIL VERIFIED IN THE FIELD. ALL DISCREPANCIES MUST BE REPORTED TO THE OFFICE BEFORE COMMENCING WORK.

STAMP

REGISTERED PROFESSIONAL ENGINEER
N. DJURISIC
PROVINCE OF ONTARIO

NORTH ARROW

CLIENT: GOVAN BROWN & ASSOCIATES LTD.
31-2000 THURSTON DRIVE
OTTAWA, ON
K1G 4K7

PROJECT: PANORAMA WELLNESS CENTRE
3280 PALLADIUM DRIVE, OTTAWA
SITE PLAN ELECTRICAL

DESIGNED BY: B.SAMIS
DRAWN BY: B.SAMIS
SCALE: 1:200
DATE: FEBRUARY 2020

CHECKED BY: T.GOVE
APPROVED BY: N. DJURISIC
DRAWING NO.: ESP1
PROJECT NO.: 10113
SHEET 1 of 2 REVISION: B