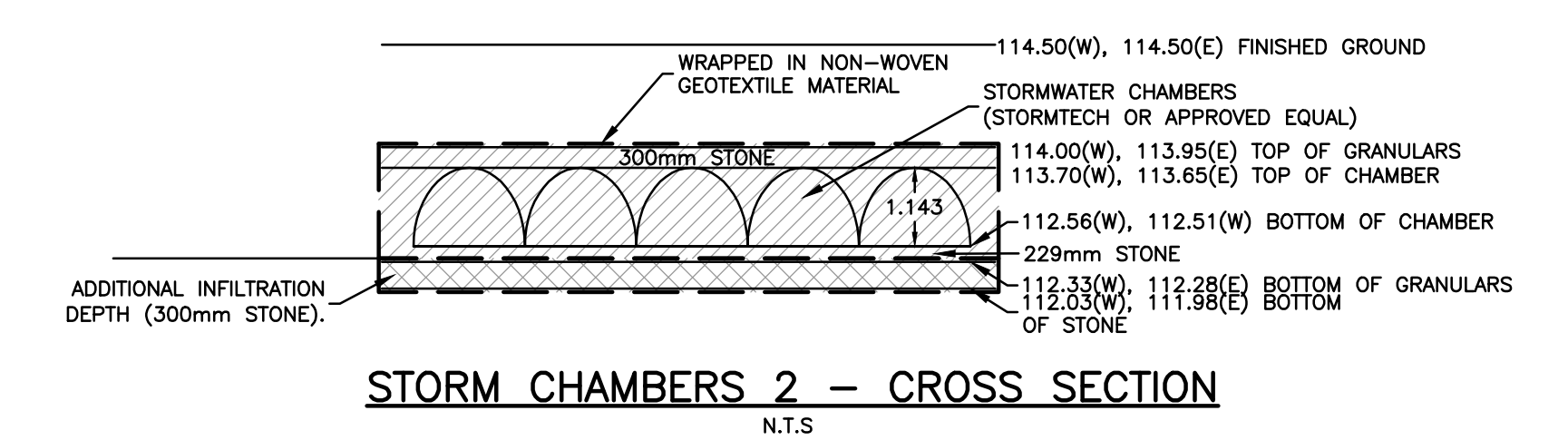
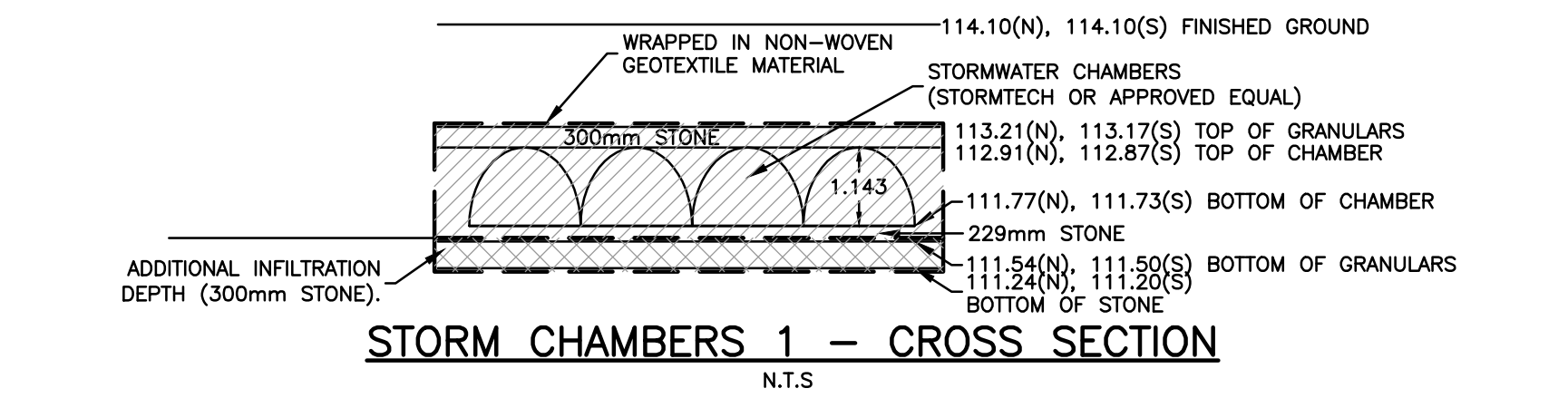
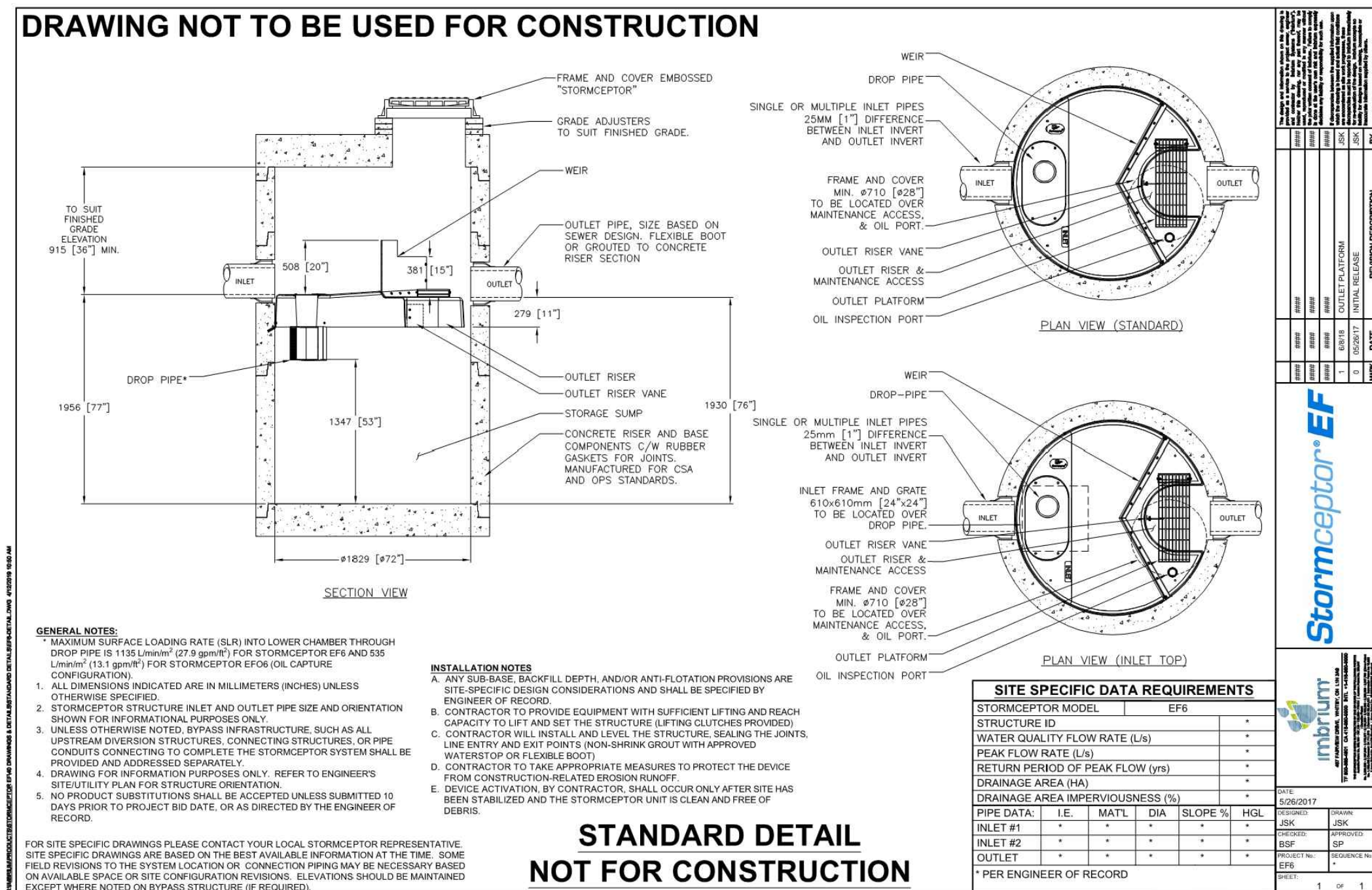
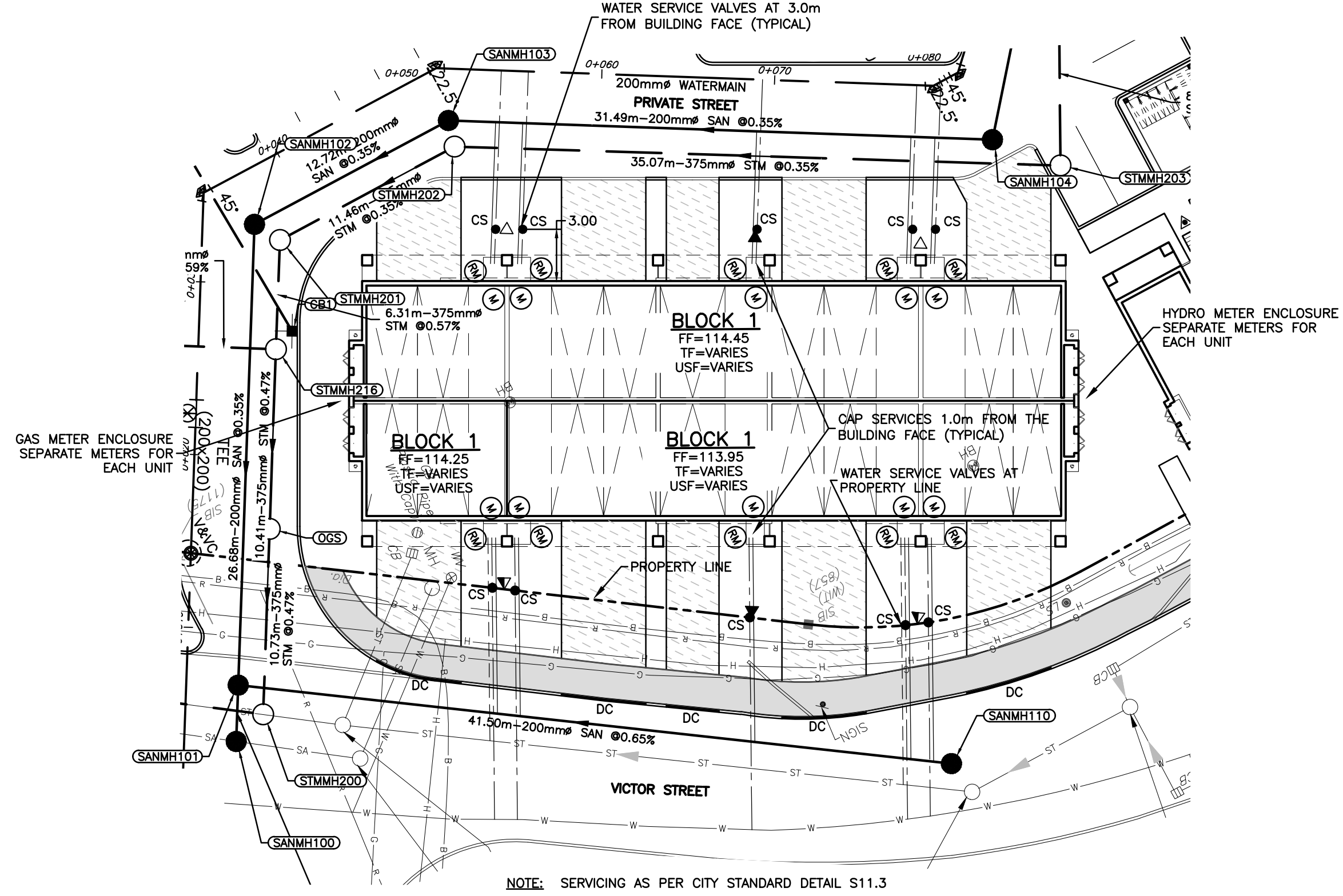


- NOTES:**
1. WATER SERVICE LATERALS TO CROSS ABOVE SANITARY SEWER (TYPICALLY) AS PER CITY STD. W38.
 2. SANITARY AND WATER SERVICE LATERALS TO CROSS BENEATH STORM SEWERS AS PER CITY STD. S11.1, S11.3 AND W38.
 3. STORM SEWER LATERALS FROM FOUNDATION DRAINAGE TO CROSS OVER SANITARY SEWER AND WATERMANS, AND BENEATH THE SURFACE DRAINAGE STORM SEWER SYSTEM, AS PER CITY STD. S11.1, S11.3 AND W38.
 4. STORMWATER SURFACE DRAINAGE SEWERS TO CROSS ABOVE MAINLINE SANITARY SEWER, STORM SEWERS AND WATERMANS.
 5. UTILITY SERVICING (HYDRO, BELL, CABLE, GAS) TO CROSS ABOVE ALL SEWER AND WATERMAIN INFRASTRUCTURE.
 6. SANITARY SEWER LATERALS TO BE 0.3m BELOW THE UNDERSIDE OF THE FOOTING (USF) ELEVATION, 1.0m FROM THE BUILDING (TYPICALLY).
 7. STORM SEWER LATERALS TO BE 0.3m BELOW THE UNDERSIDE OF THE FOOTING (USF) ELEVATION, 1.0m FROM THE BUILDING (TYPICALLY).
 8. WATER SERVICE LATERALS TO BE INSTALLED WITH 2.4m COVER.



OGS Type - EF6	
SIZE	1.8m Ø
TREATMENT FLOW RATE	990 (L/s)
SEDIMENT CAPACITY	3470L
OIL CAPACITY	348L



CAUTION
THE POSITION OF ALL POLE LINES, CONDUITS, WATERMANS, SEWERS AND OTHER UNDERGROUND AND OVERGROUND UTILITIES AND STRUCTURES IS NOT NECESSARILY SHOWN ON THE CONTRACT DRAWINGS, AND WHERE SHOWN, THE ACCURACY OF THE POSITION OF SUCH UTILITIES AND STRUCTURES IS NOT GUARANTEED. BEFORE STARTING WORK, DETERMINE THE EXACT LOCATION OF ALL SUCH UTILITIES AND STRUCTURES AND ASSUME ALL LIABILITY FOR DAMAGE TO THEM.

REV	REVISION DESCRIPTION	DATE	BY	APPD	SCALE	DESIGNED BY	REVIEWED BY	CLIENT	PROJECT	DRAWING NO.
3	REVISED AS PER CITY COMMENTS	05/11/19	SAB	BMT				HAZELDEAN CROSSING INC. 521 KILSPINDIE RIDGE OTTAWA, ON.	HAZELDEAN CROSSING TOWNS 5924 HAZELDEAN ROAD OTTAWA, ONTARIO.	OTT-00250806-B0
2	ISSUED FOR SITE PLAN APPROVAL	21/05/19	SAB	BMT						FSD
1	ISSUED FOR REVIEW	18/04/19	AO	BMT						APRIL 2019

	exp Services Inc. 1-877-888-1899 1-613-225-7330 2005 Cumberland Drive, Unit 100 Ottawa, ON K2B 8R6 Canada www.exp.com	PROJECT: HAZELDEAN CROSSING TOWNS 5924 HAZELDEAN ROAD OTTAWA, ONTARIO. DETAIL SHEET	PROJECT NO: OTT-00250806-B0 SURVEY: FSD DATE: APRIL 2019 DRAWING NO: C700
	• BUILDINGS • EARTH & ENVIRONMENT • ENERGY • • INDUSTRIAL • INFRASTRUCTURE • SUSTAINABILITY •	BASE PLAN: SAB DESIGN: JLF CHECKED: BMT CAD: SAB PROJECT MANAGER: BMT APPROVED: BMT	TITLE: DETAIL SHEET