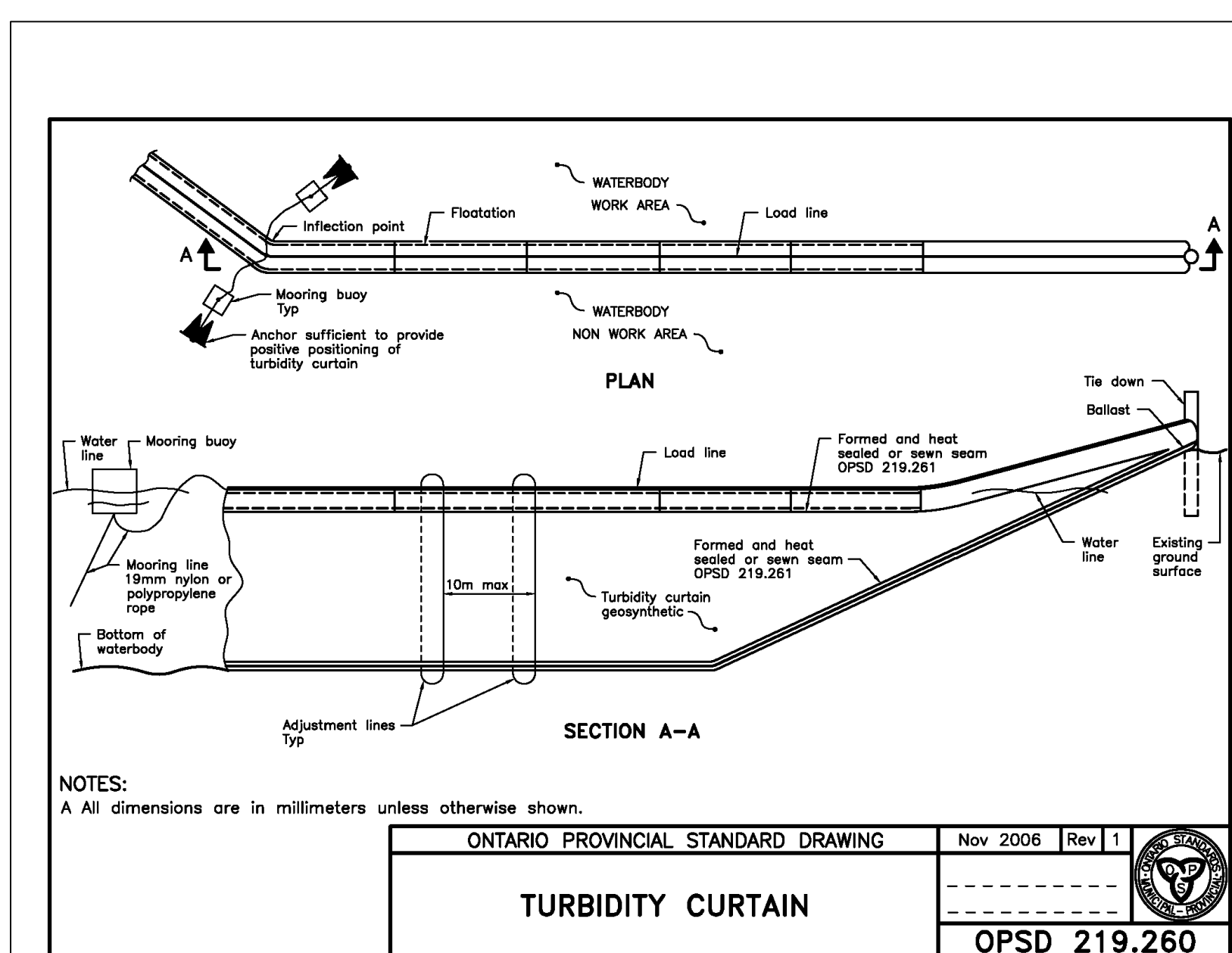
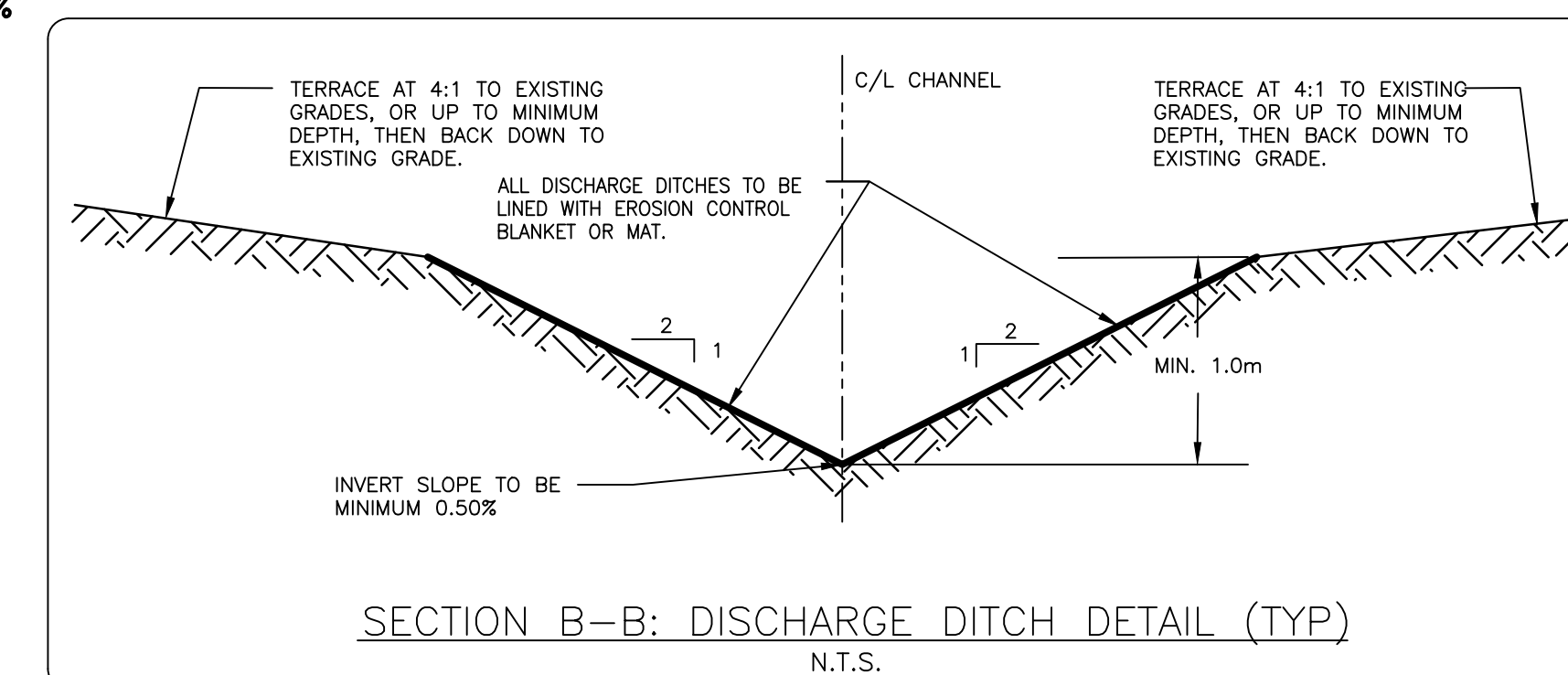
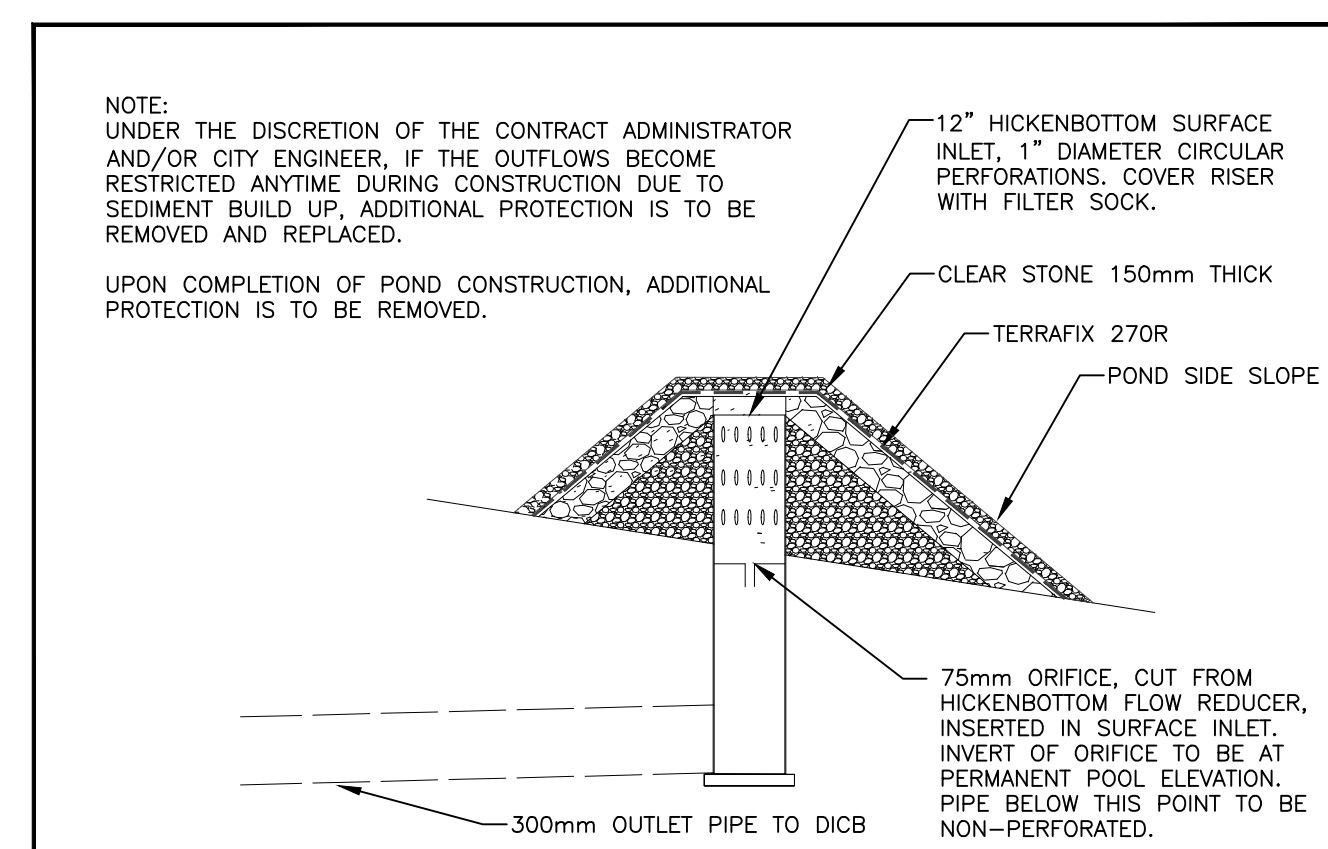
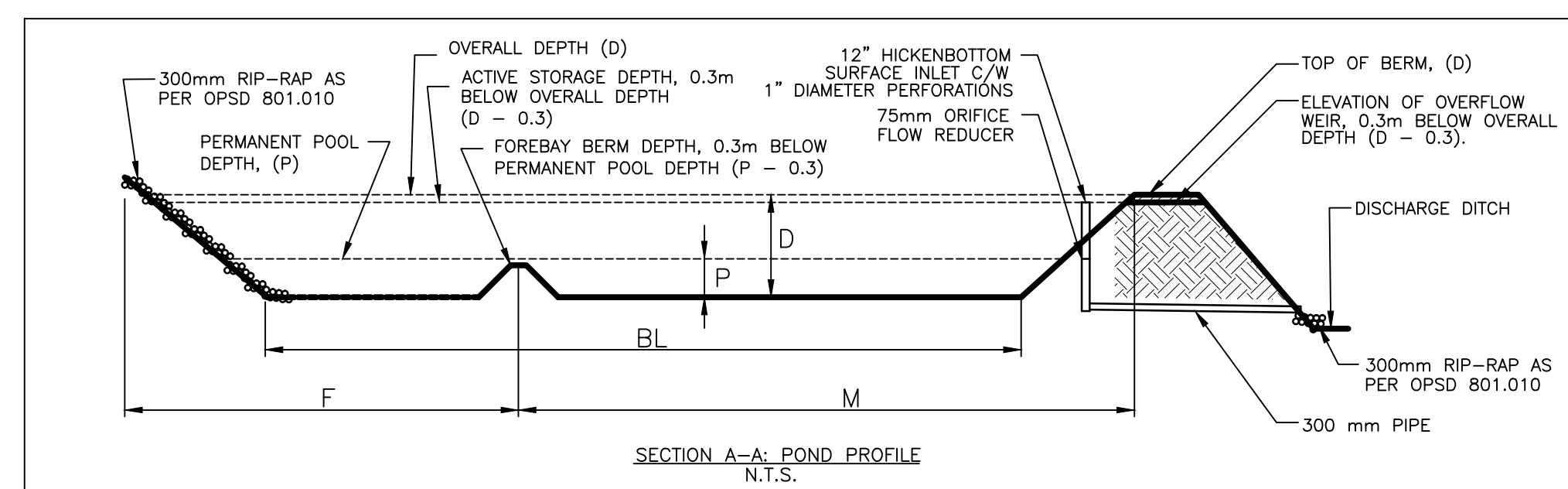


NOTE: ALL DISCHARGE DITCHES TO BE LINED WITH EROSION CONTROL BLANKET (MANUFACTURER TO BE DETERMINED BY CONTRACTOR) AS PER DETAIL BELOW. USE MANUFACTURER'S APPROVED STAPLE PATTERN AND INSTALLATION GUIDE.

BASIN SIZING CHART

	(L) Basin Length (in m)	(F) Forebay Length (in m)	(M) Main Cell Length (in m)	(W) Basin Width (in m)	(BL) Bottom Length (in m)	(BW) Bottom Width (in m)	(P) Permanent Pool Depth (in m)	(D) Overall Depth (in m)	Permanent Pool Volume (in m ³)	Total Active Volume (in m ³)
'BASIN A' DESIGN	30.2	10.1	20.1	24.8	16.2	10.8	1.00	1.75	315	242
'BASIN B' DESIGN	27.4	9.1	18.3	22.9	13.4	8.9	1.00	1.75	241	197

NOTE: ALL SIDE SLOPES TO BE 4H:1V



CHANNEL INSTALLATION

Staple placements shown for illustrative purposes only. See Staple Pattern Guides for actual recommended placements.

1. PREPARE SOIL BEFORE INSTALLING ROLLED EROSION CONTROL PRODUCTS (RECP'S), INCLUDING ANY NECESSARY APPLICATION OF LIME, FERTILIZER, AND SEED.

2. BEGIN AT THE TOP OF THE CHANNEL BY ANCHORING THE RECP'S IN A 6" (15 CM) DEEP X 6" (15 CM) WIDE TRENCH WITH APPROXIMATELY 12" (30 CM) APART IN THE BOTTOM OF THE TRENCH. BACKFILL AND COMPACT THE TRENCH AFTER STAPLING. APPLY SEED TO COMPACTED SOIL AND FOLD RECP'S 12" (30 CM) APART IN THE BOTTOM OF THE TRENCH. RECP'S MUST BE ANCHORED WITH A ROW OF STAPLES/STAKES APPROXIMATELY 12" (30 CM) ACROSS THE WIDTH OF THE RECP'S.

3. ROLL CENTER RECP'S IN DIRECTION OF WATER FLOW IN BOTTOM OF CHANNEL. RECP'S WILL UNROLL WITH APPROPRIATE SIDE AGAINST THE SOIL SURFACE. ALL RECP'S MUST BE SECURELY FASTENED TO SOIL SURFACE BY PLACING STAPLES/STAKES IN APPROPRIATE LOCATIONS AS SHOWN IN THE STAPLE PATTERN GUIDE. WHEN USING THE SOFT SYSTEM, STAPLES/STAKES SHOULD BE PLACED THROUGH EACH OF THE COLORED DOTS CORRESPONDING TO THE APPROPRIATE STAPLE PATTERN.

4. PLACE CONSECUTIVE RECP'S END OVER END (SHINGLE STYLE) WITH A 6" - 8" (10 CM - 15 CM) OVERLAP. USE A DOUBLE ROW OF STAPLES STAGGERED 4" (10 CM) APART AND 4" (10 CM) ON CENTER TO SECURE RECP'S.

5. FULL LENGTH ENDS OF RECP'S AT TOP OF SLOPE MUST BE ANCHORED WITH A ROW OF STAPLES/STAKES APPROXIMATELY 12" (30 CM) APART IN A 6" (15 CM) DEEP X 6" (15 CM) WIDE TRENCH. BACKFILL AND COMPACT THE TRENCH AFTER STAPLING.

6. ADJACENT RECP'S MUST BE OVERLAPPED APPROXIMATELY 2" - 3" (5 CM - 12.5 CM) (DEPENDING ON RECP'S TYPE) AND STAPLED.

7. IN HIGH FLOW CHANNEL APPLICATIONS, A DOUBLE OVERLAP IS RECOMMENDED AT 20 TO 40 FEET (6 M - 12.5 M) INTERVALS. USE A DOUBLE ROW OF STAPLES STAGGERED 4" (10 CM) APART AND 4" (10 CM) ON CENTER OVER ENTIRE WIDTH OF THE CHANNEL.

8. THE TERMINAL END OF THE RECP'S MUST BE ANCHORED WITH A ROW OF STAPLES/STAKES APPROXIMATELY 12" (30 CM) APART IN A 6" (15 CM) DEEP X 6" (15 CM) WIDE TRENCH. BACKFILL AND COMPACT THE TRENCH AFTER STAPLING.

NOTE:
* IN LOOSE SOIL CONDITIONS, THE USE OF STAPLE OR STAKE LENGTHS GREATER THAN 6" (15 CM) MAY BE NECESSARY TO PROPERLY ANCHOR THE RECP'S.

CRITICAL POINTS
A. OVERLAP AND SEAM
B. PROTECTED WATER LINE
C. CHANNEL ENTRANCE
D. SLOPE VEHICLES

NOTE:
* HORIZONTAL STAPLE SPACING SHOULD BE ADJUSTED IF NECESSARY TO ALLOW STAPLES TO PENETRATE THE CRITICAL POINTS ALONG THE CHANNEL SURFACE.
** IN LOOSE SOIL CONDITIONS, THE USE OF STAPLE OR STAKE LENGTHS GREATER THAN 6" (15 CM) MAY BE NECESSARY TO PROPERLY ANCHOR THE RECP'S.

For more information, contact our distributor:

NILEX
CIVIL ENVIRONMENTAL GROUP
1.800.667.4811

Notes

1	ISSUED FOR REVIEW	DT	FM	14.09.19
	Revision	By	Appd.	YYMMDD

File Name:	160400743-D8	DT	FM	14.09.01	
		Dwn.	Chkd.	Dgn.	YYMMDD

Permit-Seal

Client/Project
MATTAMY HOMES LTD.

HALF MOON BAY SOUTH
DRAFT PLAN #3
Ottawa, ON

Title

**TEMPORARY SEDIMENTATION
POND PLAN**

Project No.	Scale	0	2.5	7.5	12.5m
160400743	1:250				

Drawing No.	Sheet	Revision