

Copyright Reserved

The Contractor shall verify and be responsible for all dimensions. DO NOT scale the drawing - any errors or omissions shall be reported to Stantec without delay.  
The Copyrights to all designs and drawings are the property of Stantec. Reproduction or use for any purpose other than that authorized by Stantec is forbidden.

Legend

BEST MANAGEMENT PRACTICES

EROSION AND SEDIMENT CONTROLS (BEST MANAGEMENT PRACTICES) SHALL BE PROVIDED DURING CONSTRUCTION OF THIS PROJECT.

EROSION MUST BE MINIMIZED AND SEDIMENTS MUST BE REMOVED FROM CONSTRUCTION SITE RUN-OFF IN ORDER TO PROTECT DOWNSTREAM AREAS. DURING ALL CONSTRUCTION, EROSION AND SEDIMENTATION SHOULD BE CONTROLLED BY THE FOLLOWING TECHNIQUES:

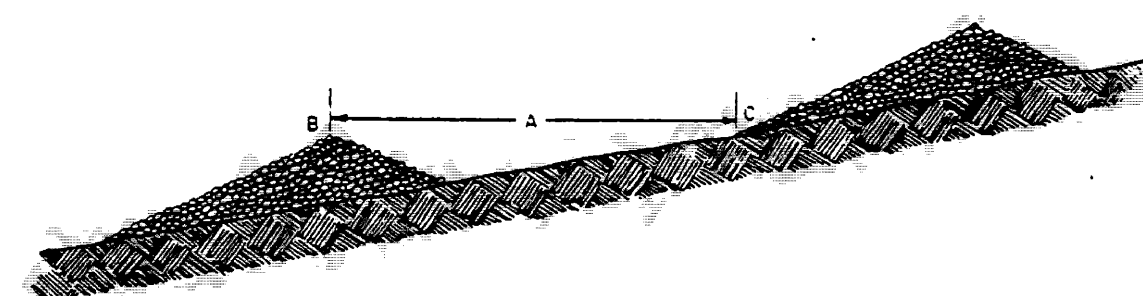
- LIMIT THE EXTENT OF EXPOSED SOILS AT ANY GIVEN TIME.
- REVEGETATE EXPOSED AREAS AND SLOPES AS SOON AS POSSIBLE.
- MINIMIZE AREA TO BE CLEARED AND GRUBBED.
- PROTECT EXPOSED SLOPES WITH PLASTIC OR SYNTHETIC MULCHES.
- INSTALL FILTER CLOTH BETWEEN FRAME AND COVER ON ALL PROPOSED CATCH BASINS AND CATCH BASIN MANHOLES AND ON ALL EXISTING CATCH BASINS THAT WILL RECEIVE RUN-OFF FROM THE SITE.
- A SILT FENCE SHALL BE INSTALLED AROUND THE PERIMETER OF ALL AND ANY STOCKPILES OF MATERIAL TO BE USED OR REMOVED FROM SITE. (LOCATION TO BE DETERMINED)
- A VISUAL INSPECTION SHALL BE DONE DAILY ON SEDIMENT CONTROL MEASURES AND CLEANED OF ANY ACCUMULATED SILT AS REQUIRED. THE DEPOSITS WILL BE DISPOSED OFF SITE AS PER THE REQUIREMENTS OF THE CONTRACT.
- SEDIMENT CONTROL BARRIERS MAY ONLY BE REMOVED TEMPORARILY WITH APPROVAL OF CONTRACT ADMINISTRATOR TO ACCOMMODATE CONSTRUCTION OPERATIONS. ALL AFFECTED BARRIERS MUST BE REINSTATED AT NIGHT WHEN CONSTRUCTION IS COMPLETED. NO REMOVAL WILL OCCUR IF THERE IS A SIGNIFICANT RAINFALL EVENT ANTICIPATED (4+mm) UNLESS A NEW DEVICE HAS BEEN INSTALLED TO PROTECT THE EXISTING STORM AND SANITARY SEWER SYSTEMS.
- NO REFUELING OR CLEANING OF EQUIPMENT IS PERMITTED NEAR ANY EXISTING WATERWAY.
- SEDIMENT CONTROL MEASURES SHALL BE REMOVED WHEN, IN THE OPINION OF THE CONTRACT ADMINISTRATOR, THE MEASURES IS NO LONGER REQUIRED. NO CONTROL MEASURES SHALL BE PERMANENTLY REMOVED WITHOUT PRIOR WRITTEN AUTHORIZATION FROM THE CONTRACT ADMINISTRATOR.
- THE CONTRACTOR SHALL PERIODICALLY, OR WHEN REQUESTED BY THE CONTRACT ADMINISTRATOR, CLEAR OUT ACCUMULATED SEDIMENTS AS REQUIRED.
- THE CONTRACTOR SHALL IMMEDIATELY REPORT TO THE ENGINEER ANY ACCIDENTAL DISCHARGES OF SEDIMENT MATERIAL INTO THE WATERCOURSE. APPROPRIATE RESPONSE MEASURES, INCLUDING ANY REPAIRS TO EXISTING CONTROL MEASURES OR THE IMPLEMENTATION OF ADDITIONAL CONTROL MEASURES, SHALL BE CARRIED OUT BY THE CONTRACTOR WITHOUT DELAY.

Notes:  
1. The Contractor shall immediately report to the Engineer any accidental discharges of sediment material into the watercourse. Appropriate response measures, including any repairs to existing control measures or the implementation of additional control measures, shall be carried out by the Contractor without delay.

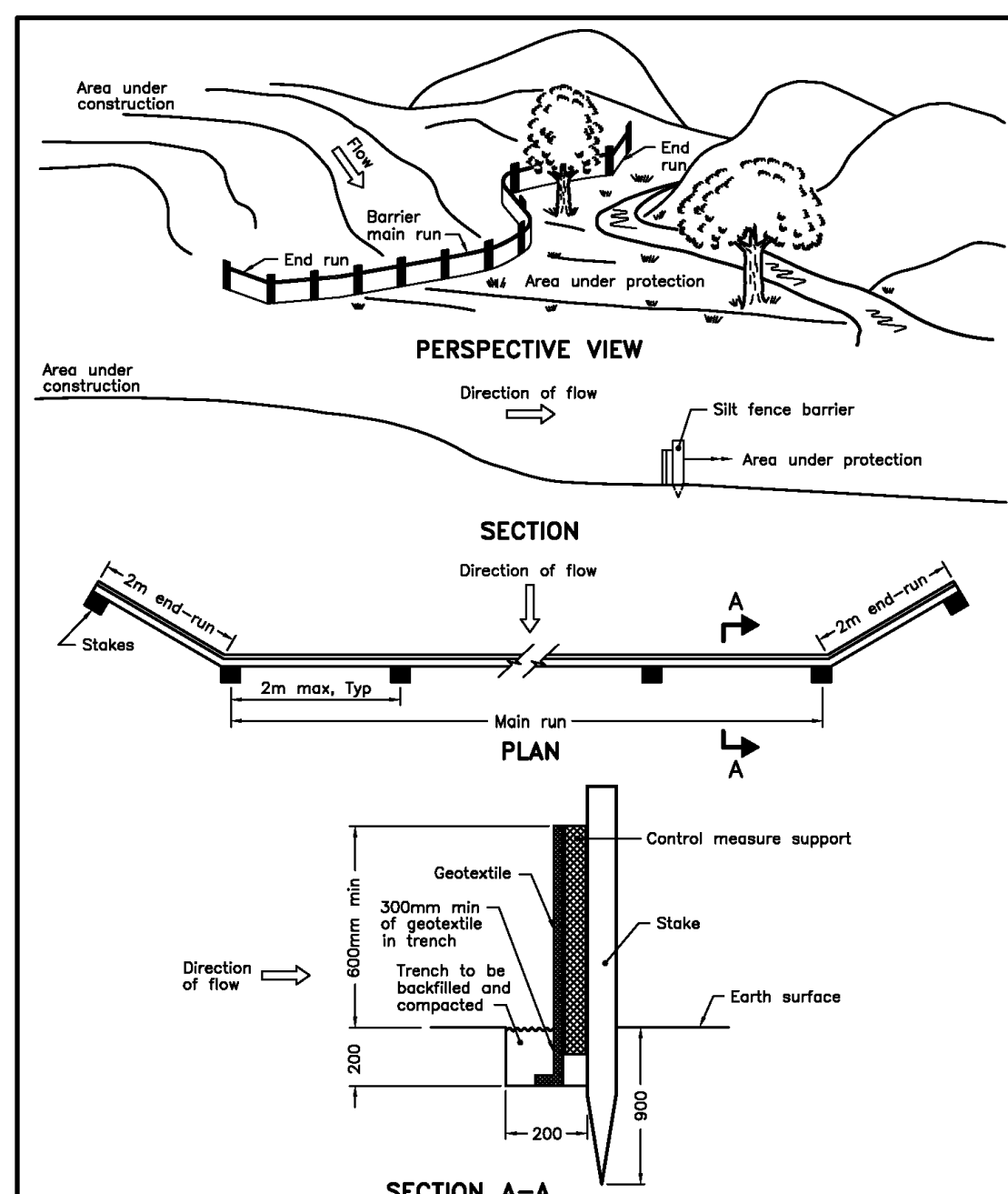
C-20

FIGURE 10

ROCK CHECK - DAMS

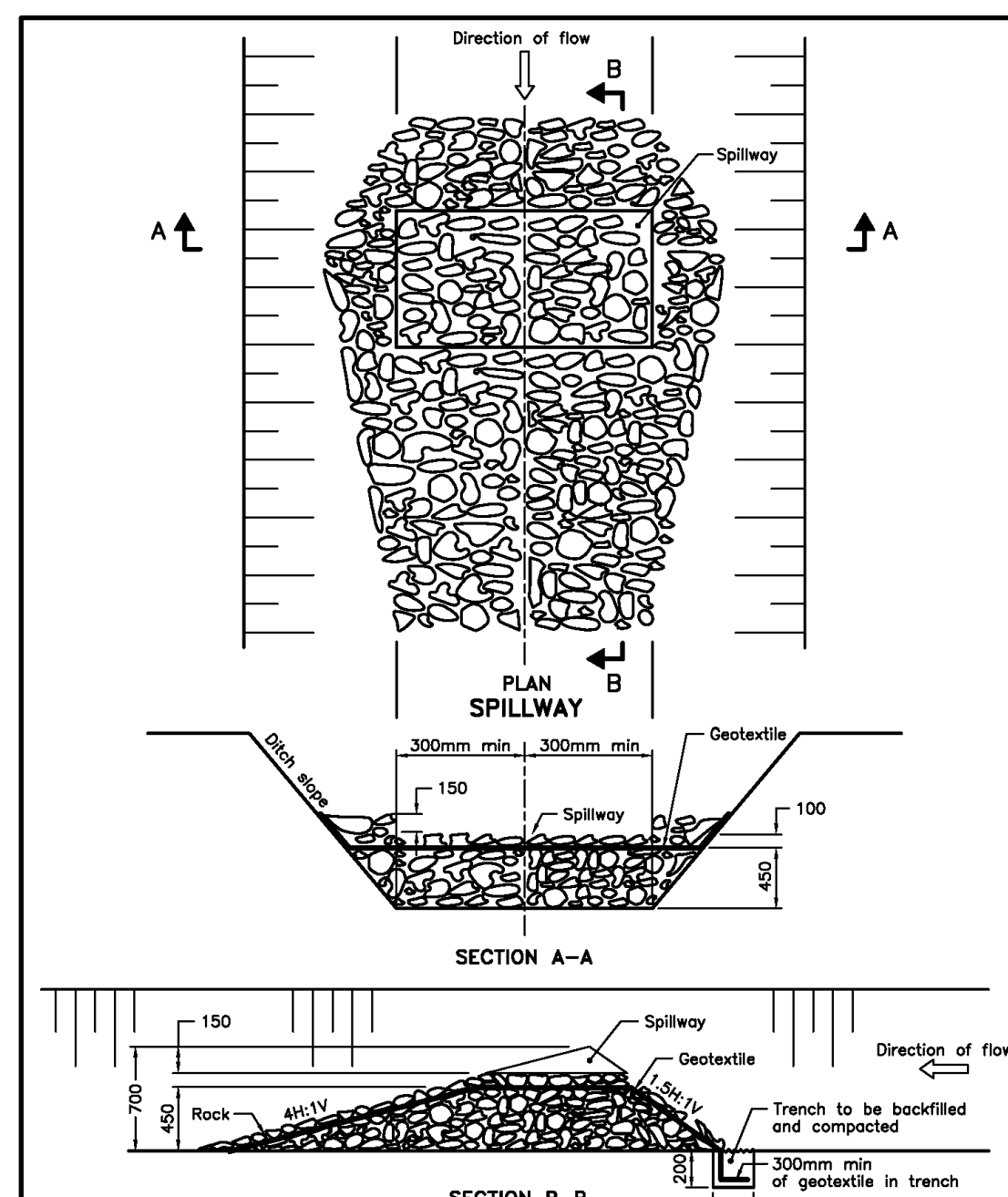


THE DISTANCE "A" SHALL BE SUCH THAT POINTS "B" & "C" ARE OF EQUAL ELEVATION.



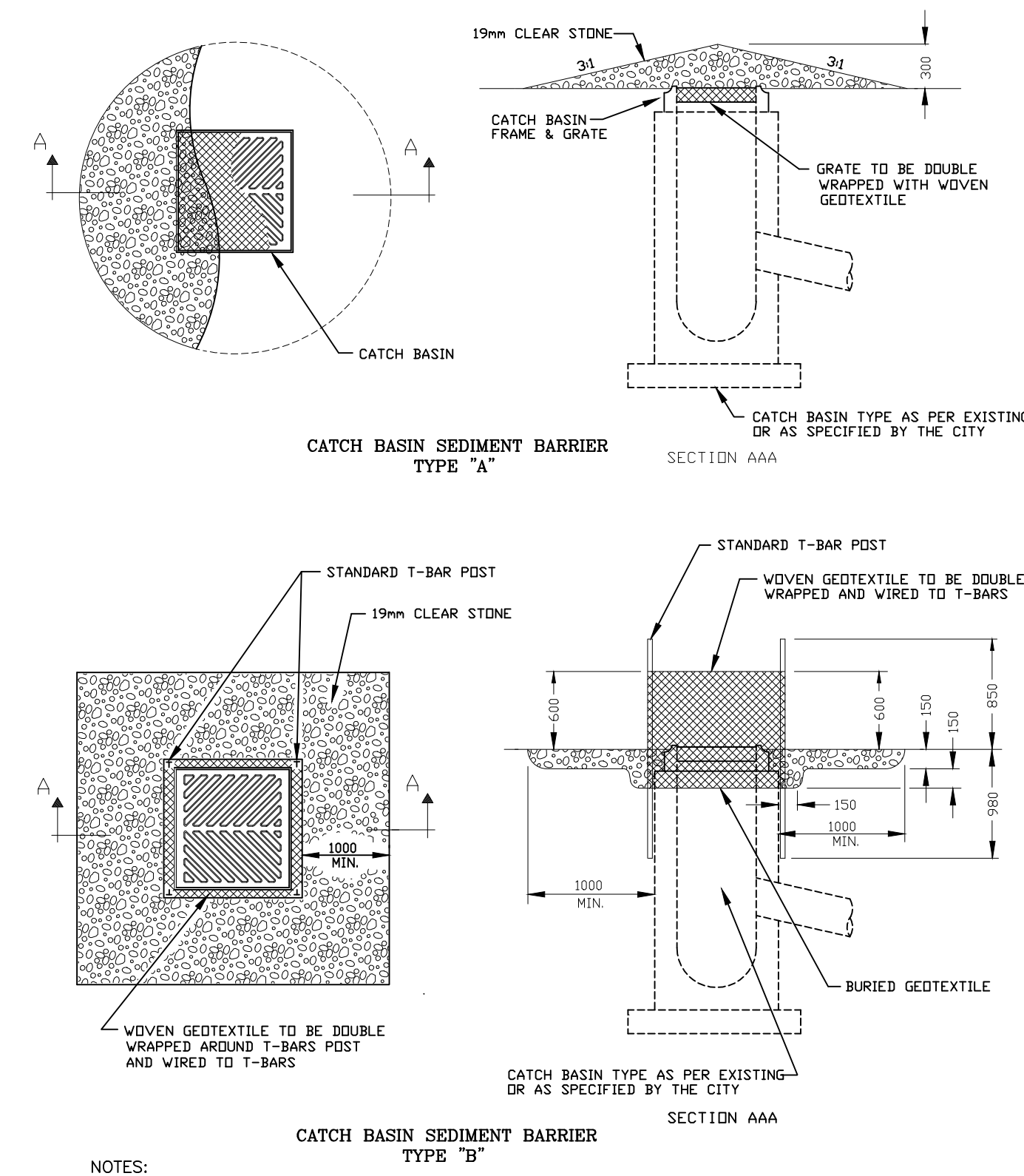
NOTE:  
A All dimensions are in millimetres unless otherwise shown.

ONTARIO PROVINCIAL STANDARD DRAWING Nov 2006 Rev 1  
**HEAVY-DUTY SILT FENCE BARRIER**  
OPSD 219.130



NOTE:  
A All dimensions are in millimetres unless otherwise shown.

ONTARIO PROVINCIAL STANDARD DRAWING Nov 2006 Rev 1  
**ROCK FLOW CHECK DAM FLAT BOTTOM DITCH**  
OPSD 219.211



- NOTES:  
1) CATCH BASIN LIFT HOLES TO BE PARADE WITH CONCRETE.  
2) WOVEN GEOTEXTILE TO HAVE A MINIMUM EQUIVALENT OPENING SIZE OF 0.15mm AND A MAXIMUM EQUIVALENT OPENING SIZE OF 0.25mm.  
3) ALL DIMENSIONS ARE IN MILLIMETRES UNLESS OTHERWISE SHOWN.

CATCH BASIN SEDIMENT BARRIER TYPE "A" AND "B" N.T.S.

SEDIMENT CONTROL MEASURES

PROTECT ALL EXPOSED SURFACES AND CONTROL ALL RUNOFF DURING CONSTRUCTION.  
ALL EROSION CONTROL MEASURES TO BE IN PLACE BEFORE STARTING CONSTRUCTION AND REMAIN IN PLACE UNTIL RESTORATION IS COMPLETE.  
MAINTAIN EROSION CONTROL MEASURES DURING CONSTRUCTION.  
ALL COLLECTED SEDIMENT TO BE DISPOSED OF AT AN APPROVED LOCATION.  
MINIMIZE AREA DISTURBED DURING CONSTRUCTION.  
ALL DEWATERING TO BE DISPOSED OF IN AN APPROVED SEDIMENTATION BASIN.  
PROTECT ALL CATCHBASINS, MANHOLES AND PIPE ENDS FROM SEDIMENT INTRUSION WITH GEOTEXTILE (TERRAFIX 270R OR APPROVED EQUIVALENT), UNLESS OTHERWISE SPECIFIED.  
KEEP ALL SLUMPS CLEAN DURING CONSTRUCTION.  
PREVENT WIND-BLOWN DUST.  
STRAW BALES TO BE USED IN LOCALIZED AREAS AS SHOWN AND AS DIRECTED BY THE CONTRACT ADMINISTRATOR DURING CONSTRUCTION.  
STRAW BALES TO BE TERMINATED BY ROUNDING BALES TO CONTAIN AND FILTER RUNOFF.

CONSTRUCT TEMPORARY MEASURES TO CONTROL SILT ENTERING THE STORM DRAINAGE SYSTEM TO THE SPECIFICATIONS OUTLINED IN THE GUIDELINES ON EROSION AND SEDIMENT CONTROL FOR URBAN CONSTRUCTION SITES PREPARED BY THE MINISTRY OF NATURAL RESOURCES. THESE MEASURES ARE TO BE INSTALLED PRIOR TO COMMENCING ANY CONSTRUCTION AND ARE TO REMAIN IN PLACE UNTIL CONSTRUCTION HAS BEEN COMPLETED TO THE SPECIFICATIONS OF THE CITY ENGINEER.  
ALL SILT FENCING AND DETAILS ARE AT THE MINIMUM TO BE CONSTRUCTED IN ACCORDANCE WITH THE MINISTRY OF NATURAL RESOURCES GUIDELINES ON EROSION AND SEDIMENT CONTROL FOR URBAN CONSTRUCTION SITES.  
ALL OF THE ABOVE NOTES AND ANY SEDIMENT AND EROSION CONTROL MEASURES ARE AT THE MINIMUM TO BE IN ACCORDANCE WITH THE MINISTRY OF NATURAL RESOURCES GUIDELINES ON EROSION AND SEDIMENT CONTROL FOR URBAN CONSTRUCTION SITES.

CONTINGENCY SEDIMENT CONTROL MEASURES

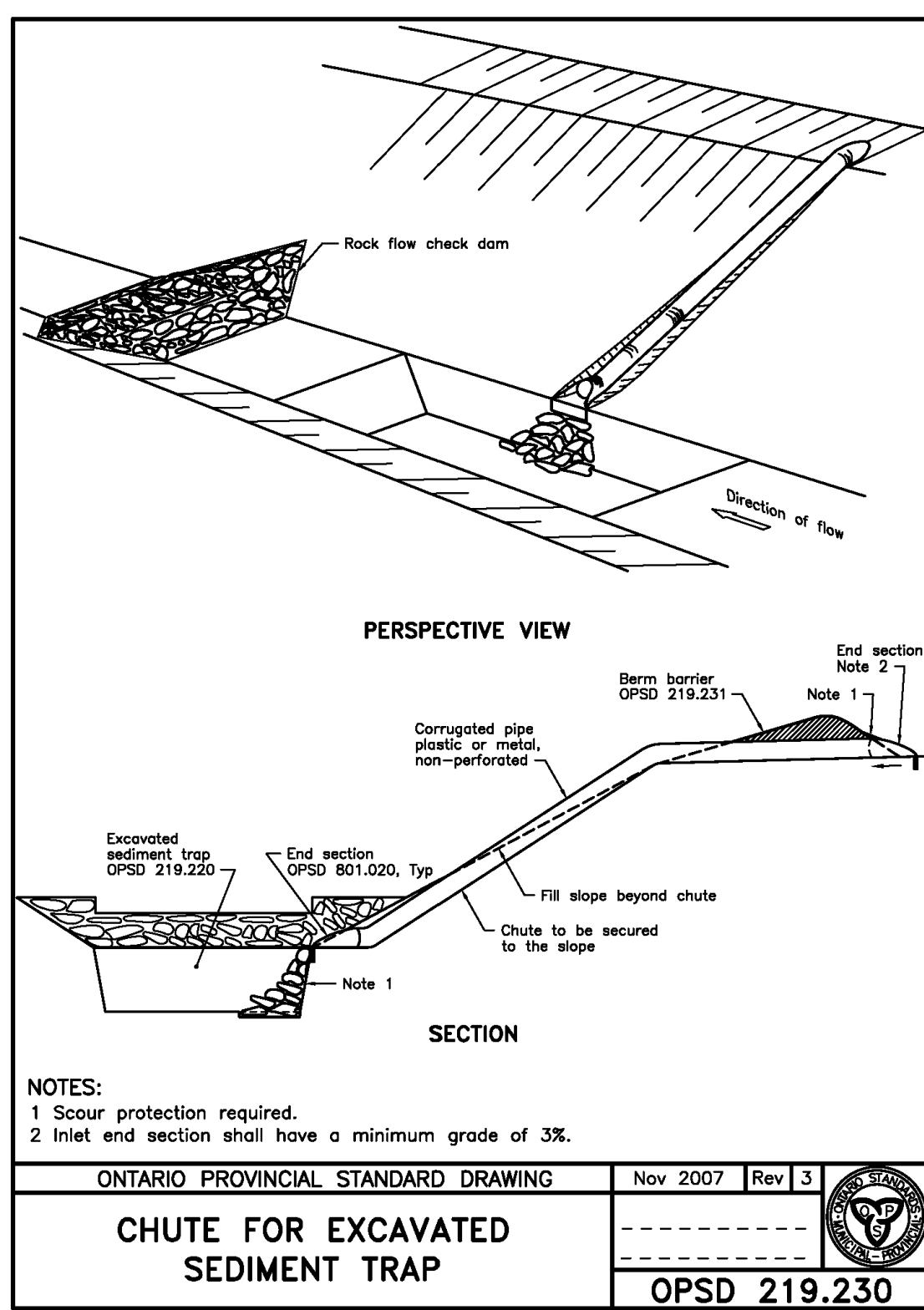
INITIAL SEDIMENT AND EROSION CONTROL MEASURES (E.G. HEAVY DUTY SILT FENCE, ROBUST SILT FENCE) TO BE INSTALLED IN LOCATIONS AS SHOWN ON THE EROSION AND SEDIMENT CONTROL PLAN DRAWINGS.  
IF DEEMED NECESSARY BY THE CONTRACT ADMINISTRATOR, INSTALL ENHANCED EROSION AND SEDIMENT CONTROL MEASURES TO DEAL WITH ABNORMAL CONDITIONS AS DIRECTED BY THE CONTRACT ADMINISTRATOR (STANTEC).  
IF DEEMED NECESSARY BY THE CONTRACT ADMINISTRATOR THAT ADDITIONAL SEDIMENT AND EROSION CONTROL MEASURES ARE REQUIRED, INSTALL AN ADDITIONAL ROW OF HEAVY DUTY SILT FENCE AS SHOWN ON THE DETAIL DRAWING.  
IF THE CONTRACT ADMINISTRATOR REQUIRES FURTHER SEDIMENT AND EROSION CONTROL MEASURES, INSTALL A STRAW BALE FILTER IN FRONT OF THE SECOND ROW OF HEAVY DUTY SILT FENCE.

INSPECTION AND REPORTING

IN ORDER TO MONITOR THE EFFECTIVENESS OF THE EROSION AND SEDIMENT CONTROL MEASURES DURING CONSTRUCTION, FREQUENT INSPECTIONS WILL BE REQUIRED. THE INSPECTION ACTIVITIES WILL BE PERFORMED BY THE CONTRACT ADMINISTRATOR AND WILL INCLUDE:  
- INSPECTING THE EROSION AND SEDIMENT CONTROL WORKS ON ALL DAYS WHEN CONSTRUCTION IS ACTIVE.  
- INSPECTING THE EROSION CONTROL WORKS WITHIN THE 24 HOURS IMMEDIATELY FOLLOWING ALL RAINFALL EVENTS.  
- DOCUMENTING ALL INSPECTION ACTIVITIES IN A LOGBOOK THAT WILL BE SUBMITTED TO THE CITY OF OTTAWA AT THE COMPLETION OF CONSTRUCTION.  
THE CONTRACT ADMINISTRATOR WILL PERFORM REGULAR INSPECTIONS TO VERIFY:  
- THE TEMPORARY EROSION AND SEDIMENT CONTROL MEASURES ARE ROUTINELY MAINTAINED, AND  
- THE SUBDIVISION CONSTRUCTION DOES NOT NEGATIVELY IMPACT OF THE ECOLOGICAL HEALTH OF THE RECEIVING WATERCOURSE.  
THE FOLLOWING REPORTING SYSTEM FOR PROPOSED INSPECTION ACTIVITIES WILL BE PERFORMED BY THE CONTRACT ADMINISTRATOR AND WILL INCLUDE:  
- PREPARING INSPECTION REPORTS FOR THE DURATION OF CONSTRUCTION, AND SUBMITTING THEM TO THE CITY OF OTTAWA. THE INSPECTION REPORTS SHOULD DOCUMENT ANY REPAIRS, RAINFALL OR PUMPING THAT HAS OCCURRED SINCE THE LAST REPORT, OR IS ANTICIPATED TO OCCUR PRIOR TO THE NEXT REPORT.  
- PRIOR TO REMOVAL OF THE EROSION AND SEDIMENT CONTROLS, THE CITY OF OTTAWA, THE OWNER, AND THE CONTRACT ADMINISTRATOR SHOULD CONDUCT A JOINT INSPECTION OF THE SITE.  
ANY FAILURE OF THE PROPOSED TEMPORARY EROSION & SEDIMENT CONTROL MEASURES SHALL BE REPORTED TO THE CITY OF OTTAWA AS SOON AS POSSIBLE. UNDER THE SUPERVISION OF THE CITY OF OTTAWA AND THE CONTRACT ADMINISTRATOR, THE CONTRACTOR WILL BE DIRECTED TO REMOVE ANY SEDIMENT THAT HAS ENCRUSTED BEYOND THE CONSTRUCTION LIMITS.

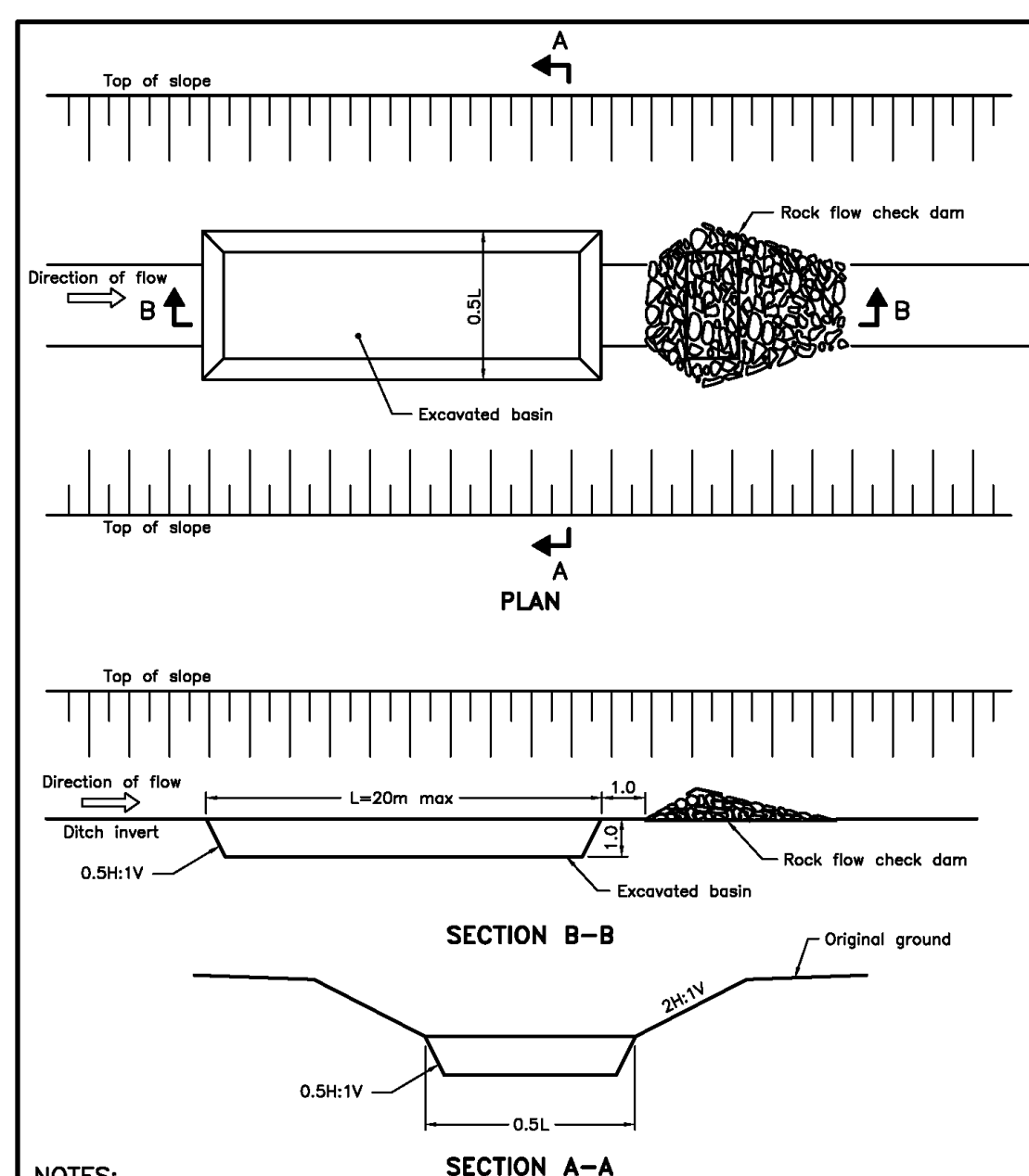
SEVERE WEATHER ANTICIPATED

WHEN THE LOCAL WEATHER FORECAST INDICATES THAT SIGNIFICANT RAINFALL IS EXPECTED WITHIN A 24 HOUR PERIOD, THE CONTRACTOR SHALL IMMEDIATELY COMPLETE THE FOLLOWING:  
- ENSURE THAT ALL EROSION & SEDIMENT CONTROL MEASURES ARE SECURE AND THAT THERE IS NO EXPOSED SOIL THAT COULD ERODE AND BE DEPOSITED IN THE PINCOMBE DRAIN.  
- MONITOR ALL MEASURES DURING THE FLOOD EVENT, AND WHERE A POTENTIAL FOR FAILURE IS IDENTIFIED, TAKE CORRECTIVE MEASURES.



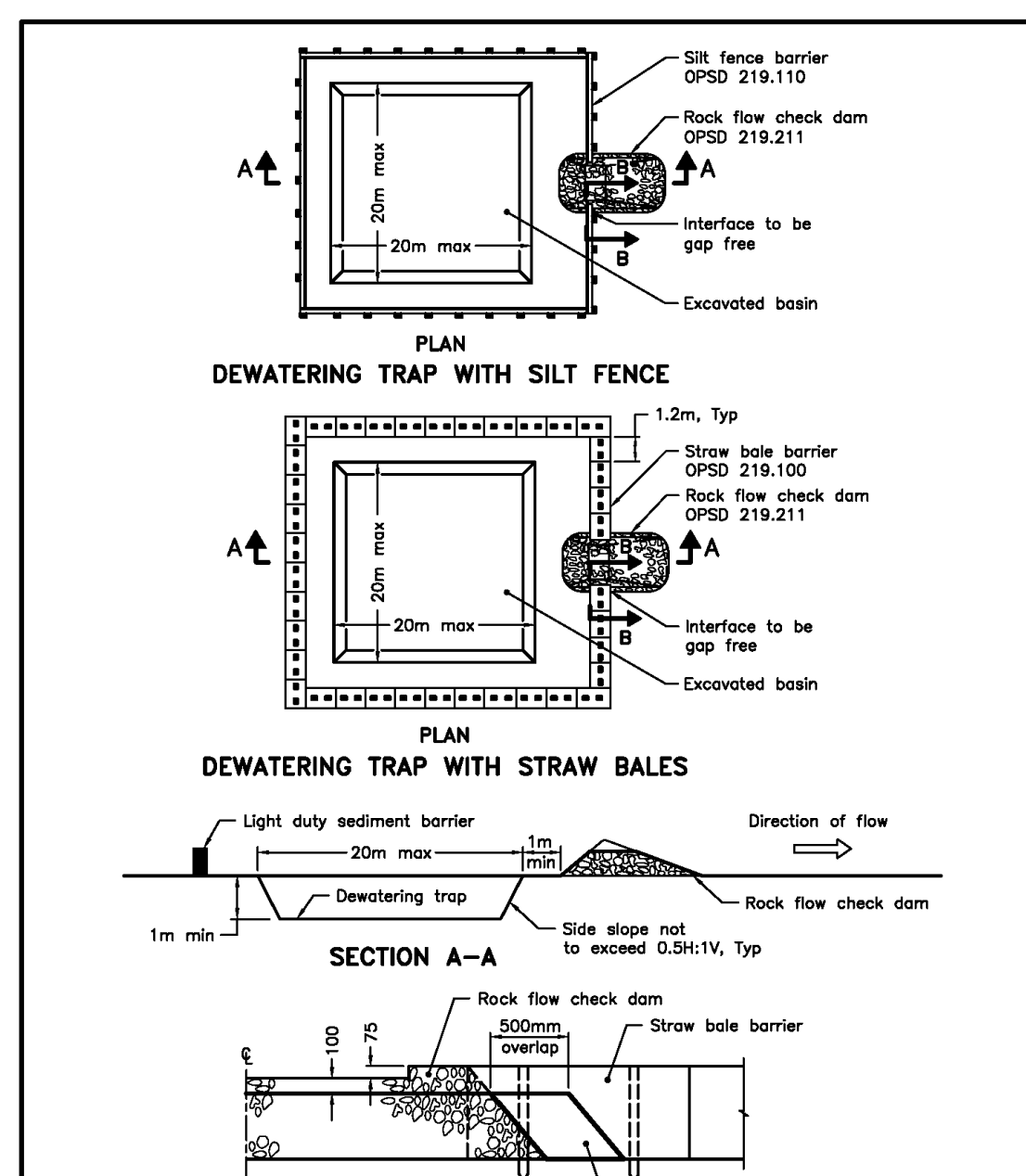
NOTE:  
1 Scour protection required.  
2 Inlet end section shall have a minimum grade of 3%.

ONTARIO PROVINCIAL STANDARD DRAWING Nov 2007 Rev 3  
**CHUTE FOR EXCAVATED SEDIMENT TRAP**  
OPSD 219.230



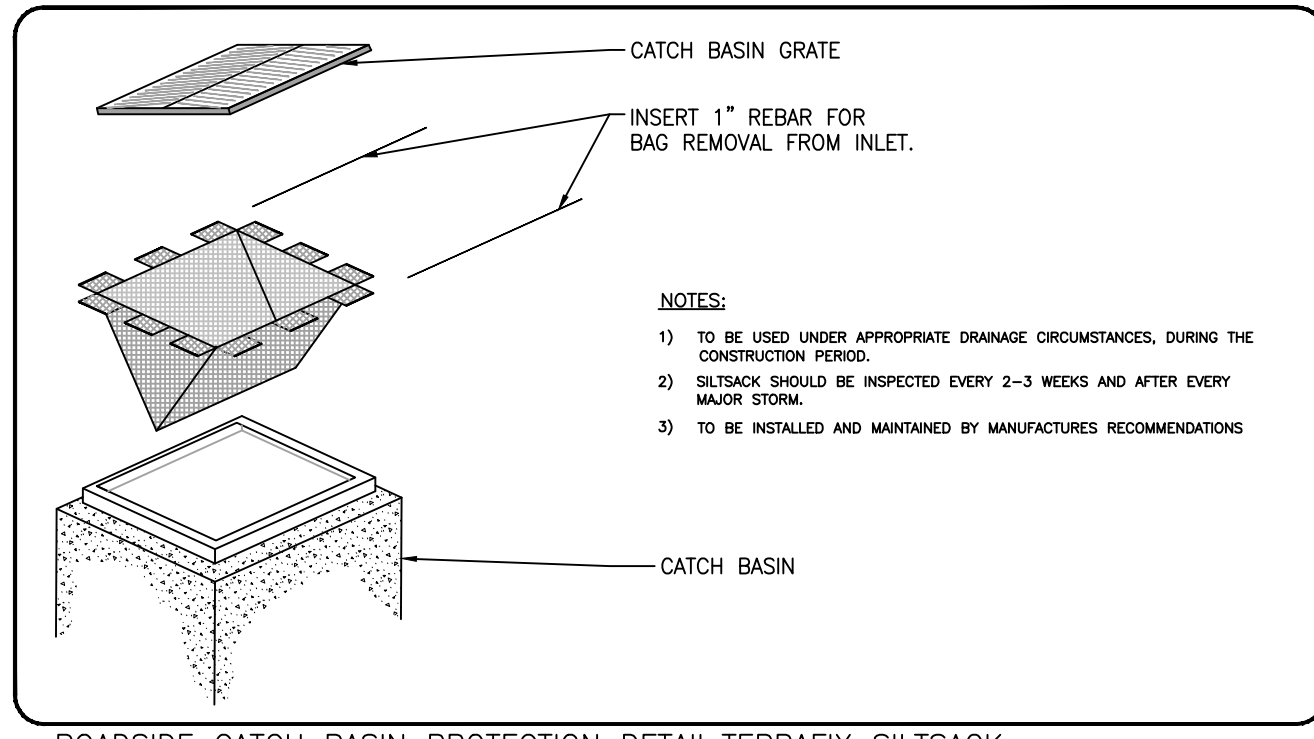
NOTE:  
A Ditch cross-section upstream or downstream of sediment trap may be flat bottom or V-shaped. Flat bottom shown.  
B This OPSD to be read in conjunction with OPSD 219.210 or 219.211.  
C All dimensions are in metres unless otherwise shown.

ONTARIO PROVINCIAL STANDARD DRAWING Nov 2006 Rev 1  
**EXCAVATED SEDIMENT TRAP IN DITCH**  
OPSD 219.220



NOTE:  
A All dimensions are in metres unless otherwise shown.

ONTARIO PROVINCIAL STANDARD DRAWING Nov 2006 Rev 1  
**DEWATERING TRAP**  
OPSD 219.240



ROADSIDE CATCH BASIN PROTECTION DETAIL:TERRAFIX SILTSACK SCALE: N.T.S.

W:\active\160400743\_half\_moon\_bay\_south\_draft\_plan\design\drawing\draft\plan\160400743-ec.dwg 2014/07/24 12:39 PM By: thiffault, Doan

Client/Project  
**MATTAMY HOMES LTD.**

HALF MOON BAY SOUTH  
DRAFT PLAN #3  
Ottawa, ON

Title  
**EROSION CONTROL PLAN (DETAILS)**

Project No.	Scale	
160400743	N.T.S.	
Drawing No.	Sheet	Revision
EC-2	4 of 7	1