

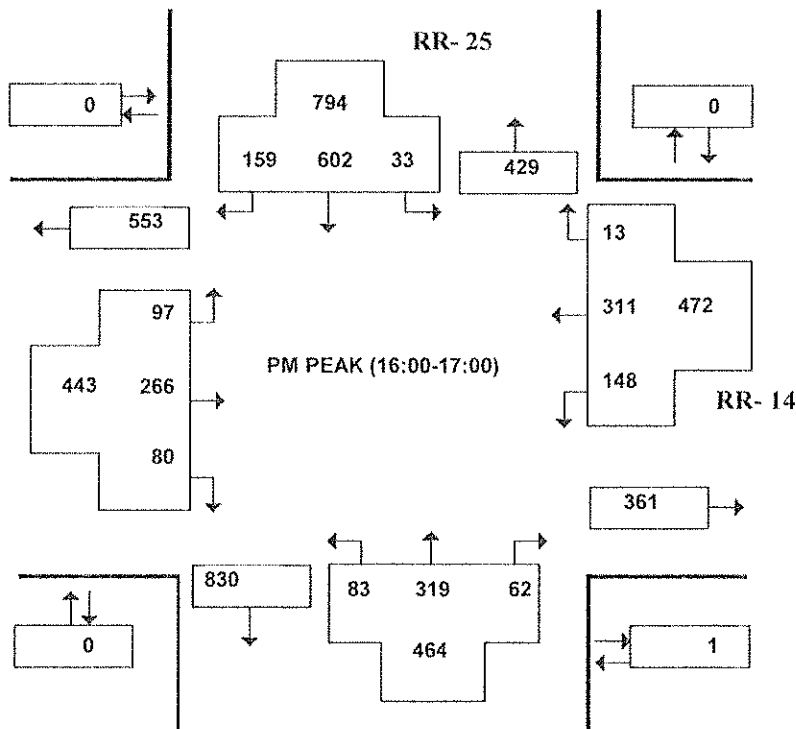
LEITRIM RD and ALBION RD
(ULRS Listing RR- 14 & RR- 25)

Survey Date: Friday 17 August 2012
 Conditions: dry
 Start Time: 0700

Total Observed U-Turns
 Northbound: 0 Southbound: 0
 Eastbound: 0 Westbound: 0

AADT Factor
 Friday in August is 9

		RR- 25				Pedestrians	
1		218				0	
		23	168	27	855		
	274					29	
	103					162	242
	444	AM PEAK (07:00-08:00)				51	
							RR- 14
	54					399	
		273	89	723	85		
	0			897		3	



LEITRIM RD and BANK ST
(ULRS Listing RR- 14 & BANK)

Survey Date: Thursday 16 August 2012
 Conditions: dry
 Start Time: 0700

Total Observed U-Turns
 Northbound: 0 Southbound: 3
 Eastbound: 0 Westbound: 0

AADT Factor
 Thursday in August i
 9

