

LEGEND

- PROPERTY LINE
- DRAINAGE DIVIDE
- MAJOR SYSTEM FLOW ROUTE

EX6	DRAINAGE AREA ID
4.010	AREA IN Ha
0.19	RATIONAL METHOD RUNOFF COEFFICIENT

NOT FOR CONSTRUCTION

TOPOGRAPHIC INFORMATION
 TOPOGRAPHIC INFORMATION PROVIDED BY FARLEY, SMITH & DENIS SURVEYING LTD., 2015
 PROJ. NO. 432-15
 DATED NOVEMBER 11, 2015

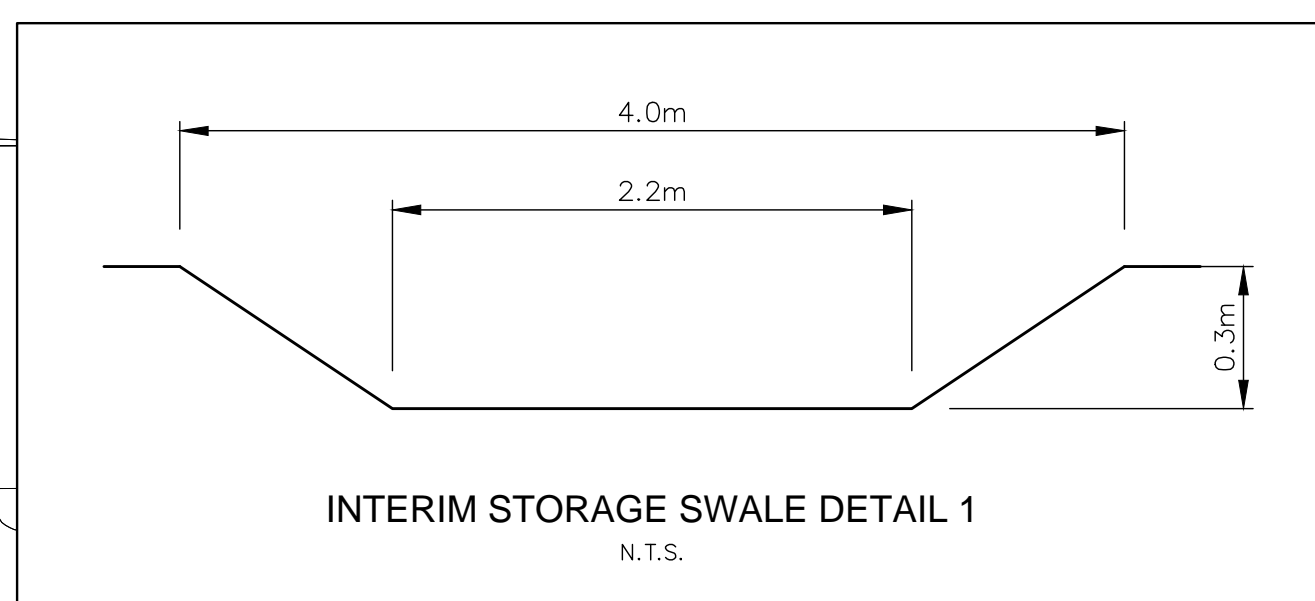
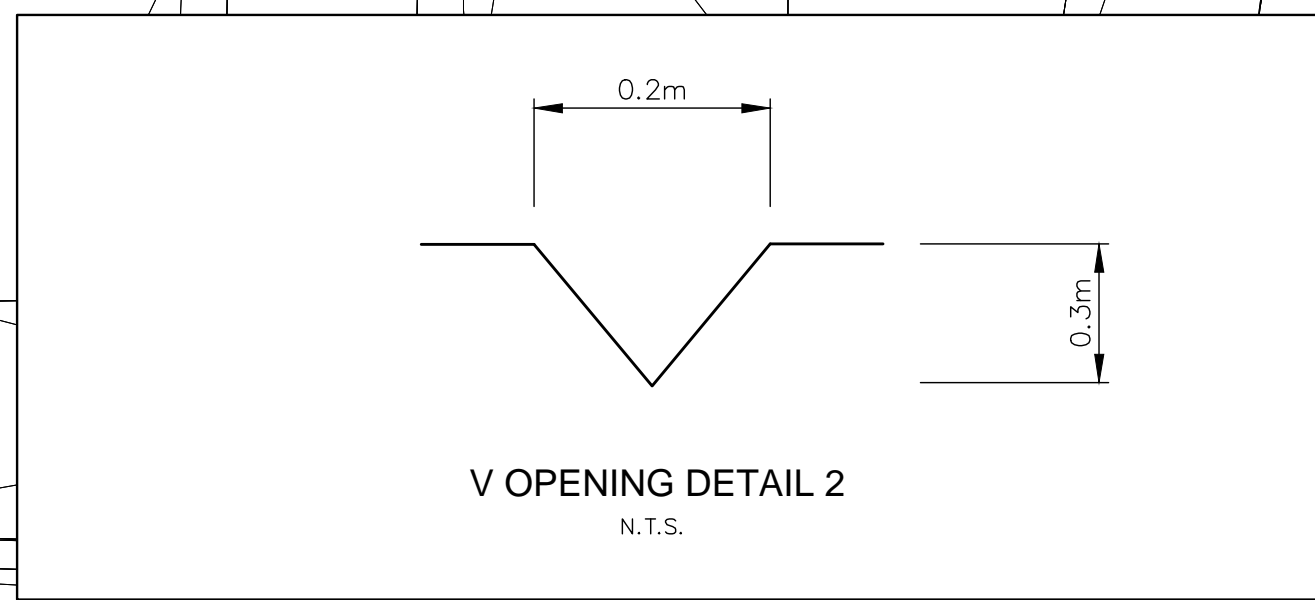
SITE PLAN INFORMATION
 SITE PLAN PROVIDED BY URBANDIVA DESIGN INC.
 PROJ. NO. 1702
 DATED MARCH 1, 2018

GEO TECHNICAL STUDY
 GEO TECHNICAL RECOMMENDATIONS PROVIDED BY PATERSON GROUP INC.
 PROJ. NO. PG4194-1
 DATED AUGUST 8, 2017

SITE SERVICING AND STORMWATER MANAGEMENT STUDY
 SERVICING AND STORMWATER MANAGEMENT RECOMMENDATIONS PROVIDED BY DSEL
 PROJ. NO. 17-931
 DATED JUNE 2018

BENCH MARK
 2 NAILS IN POLE LOCATED AT SOUTH-WEST CORNER OF SUBJECT PROPERTY
 ELEV=99.48

No.	BY	YY.MM.DD	DESCRIPTION
4	G.G.M.	19.01.07	ISSUED FOR MUNICIPAL REVIEW
3	G.G.M.	18.06.07	ISSUED FOR MUNICIPAL REVIEW
2	B.N.C.	18.03.29	ISSUED FOR MUNICIPAL REVIEW
1	B.N.C.	17.11.02	ISSUED FOR MUNICIPAL REVIEW



APPROVED REFUSED
 THIS _____ DAY OF _____, 20____
 DERRICK MOODIE
 MANAGER, DEVELOPMENT REVIEW - WEST
 PLANNING, INFRASTRUCTURE AND ECONOMIC
 DEVELOPMENT DEPARTMENT, CITY OF OTTAWA

PROJECT No. 17-931

INTERIM STORM DRAINAGE PLAN
 21 WITHROW AVENUE © DSEL

THEBERGE HOMES

904 Lady Ellen Place
 Ottawa, Ontario, K1Z 5L5
 Tel. (613) 421-1515

DSEL
 david schaeffer engineering ltd
 SMART SUBSISTANCES™

120 Ibor Road Unit 103
 Stittville, Ontario, K2S 1E9
 Tel. (613) 836-0856
 Fax. (613) 836-7183
 www.DSEL.ca

DRAWN BY: A.W.T.	CHECKED BY: S.L.M.	DRAWING NO. SWM-3	SHEET NO. 3 of 4
DESIGNED BY: B.N.C.	CHECKED BY: A.D.F.		
SCALE: 1:400	DATE: MARCH 2018		