

NOTE:
DO NOT DAMAGE OR CUT THE LEADER. PRUNE BRANCHES THAT ARE DISEASED, DEAD, BROKEN. ENSURE ALL CUTS ARE CLOSE TO THE NEXT SIDE BRANCH AND NOT CREATING BRANCH STUBS

COLLAR AND SPACERS PLACED AT $\frac{1}{3}$ OVERALL HEIGHT OF THE TREE

2400mm LONG x 75mm WIDE TIMBER TREE STAKE PLACED OUTSIDE ROOTBALL ON PREVAILING WIND SIDE AND SECURED WITH 'NATURETIE' WRAP

RODENT PROTECTION MIN. 300mm HIGH

100mm MULCH LAYER IN SAUCER

150mm x 150mm MULCH SAUCER AROUND PLANTING PIT

ENSURE ROOT FLARE IS FLUSH WITH MULCH

FINISHED GRADE

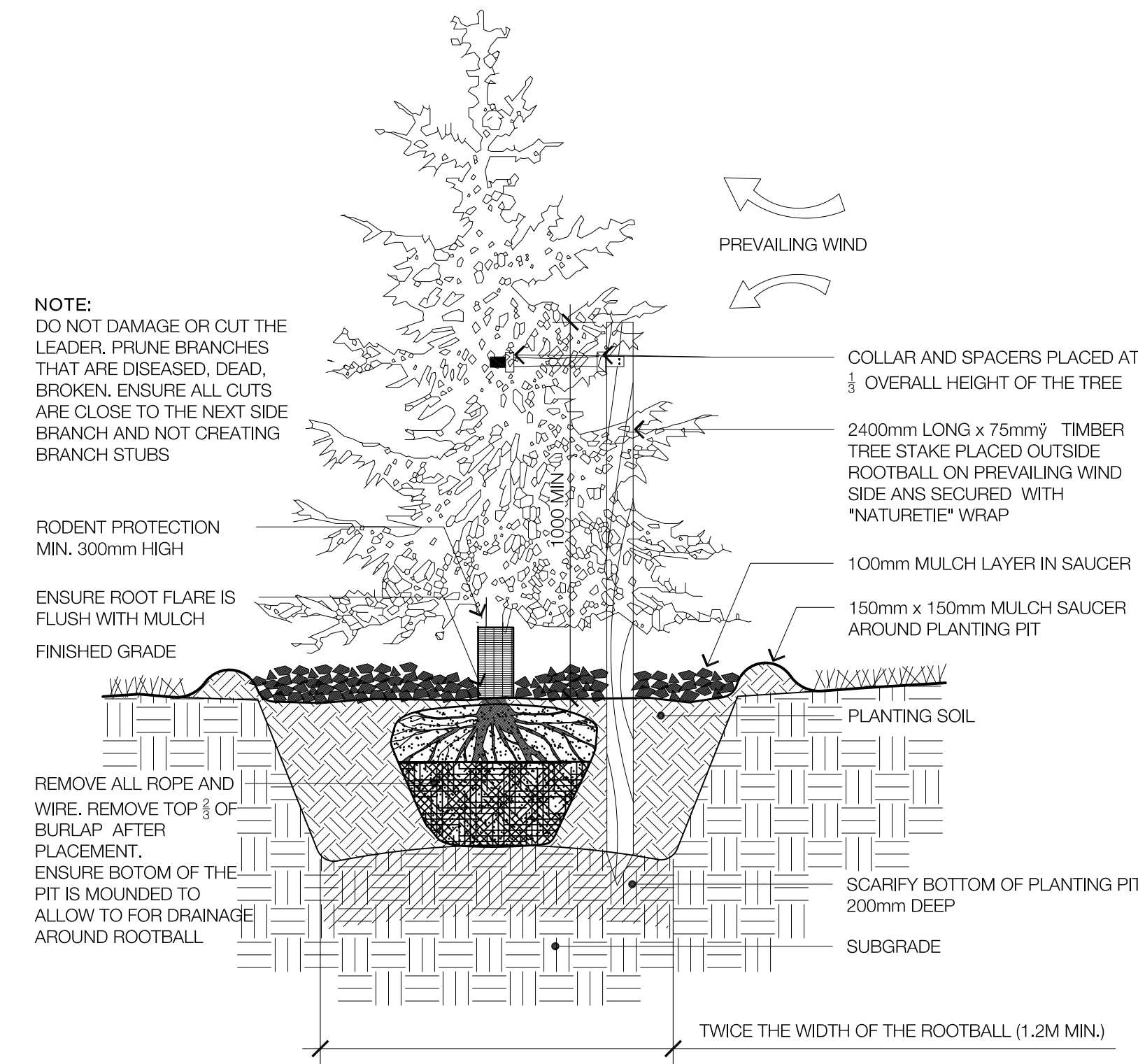
PLANTING SOIL

REMOVE ALL ROPE AND WIRE. REMOVE TOP $\frac{1}{3}$ OF BURLAP AFTER PLACEMENT. ENSURE BOTTOM OF THE PIT IS MOUNDED TO ALLOW TO FOR DRAINAGE AROUND ROOTBALL

SCARIFY BOTTOM OF PLANTING PIT 200mm DEEP

SUBGRADE

TWICE THE WIDTH OF THE ROOTBALL (1.2M MIN.)



NOTE:
DO NOT DAMAGE OR CUT THE LEADER. PRUNE BRANCHES THAT ARE DISEASED, DEAD, BROKEN. ENSURE ALL CUTS ARE CLOSE TO THE NEXT SIDE BRANCH AND NOT CREATING BRANCH STUBS

COLLAR AND SPACERS PLACED AT $\frac{1}{3}$ OVERALL HEIGHT OF THE TREE

2400mm LONG x 75mm WIDE TIMBER TREE STAKE PLACED OUTSIDE ROOTBALL ON PREVAILING WIND SIDE AND SECURED WITH 'NATURETIE' WRAP

RODENT PROTECTION MIN. 300mm HIGH

100mm MULCH LAYER IN SAUCER

150mm x 150mm MULCH SAUCER AROUND PLANTING PIT

ENSURE ROOT FLARE IS FLUSH WITH MULCH

FINISHED GRADE

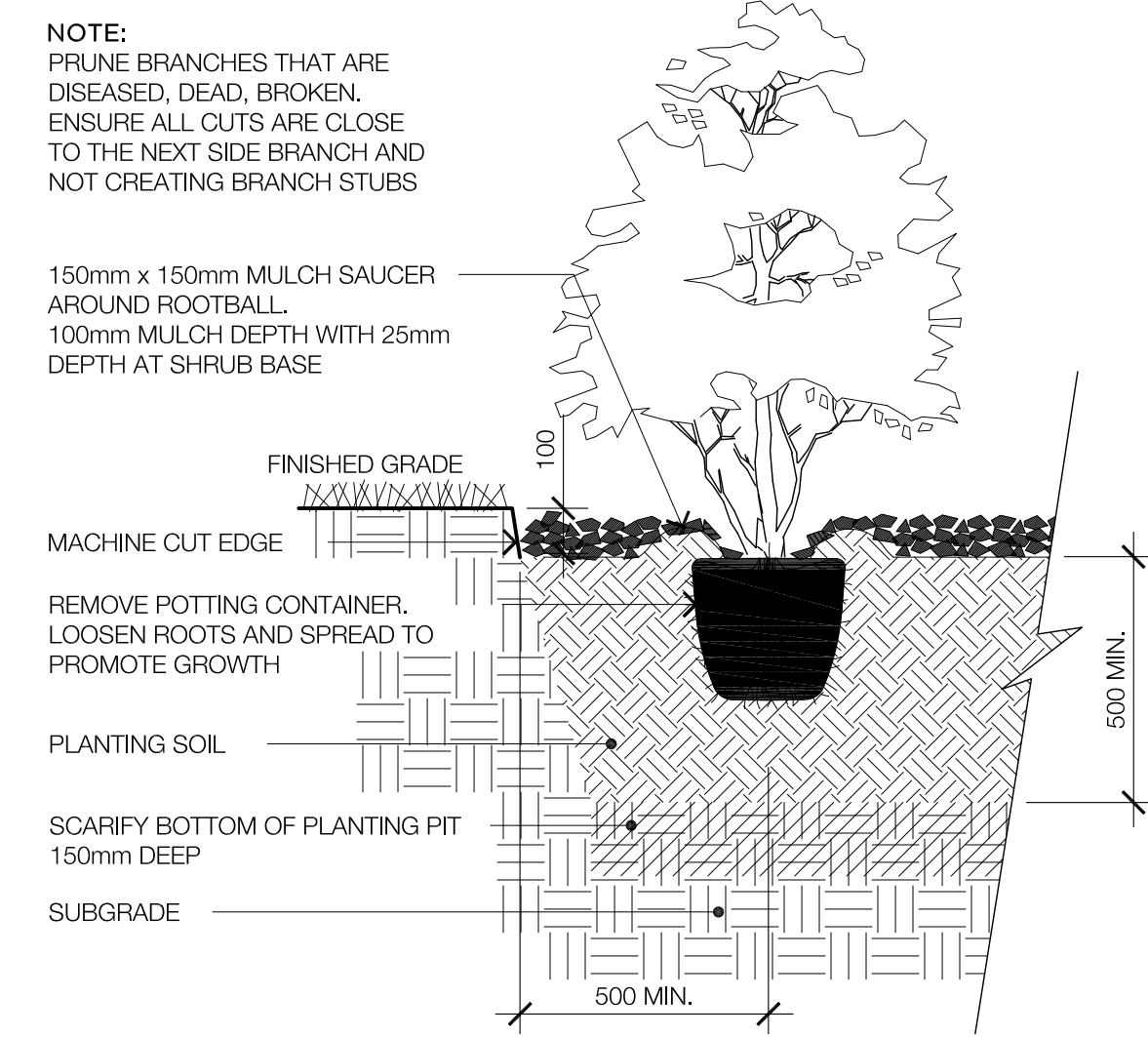
PLANTING SOIL

REMOVE ALL ROPE AND WIRE. REMOVE TOP $\frac{1}{3}$ OF BURLAP AFTER PLACEMENT. ENSURE BOTTOM OF THE PIT IS MOUNDED TO ALLOW TO FOR DRAINAGE AROUND ROOTBALL

SCARIFY BOTTOM OF PLANTING PIT 200mm DEEP

SUBGRADE

TWICE THE WIDTH OF THE ROOTBALL (1.2M MIN.)



NOTE:
PRUNE BRANCHES THAT ARE DISEASED, DEAD, BROKEN. ENSURE ALL CUTS ARE CLOSE TO THE NEXT SIDE BRANCH AND NOT CREATING BRANCH STUBS

150mm x 150mm MULCH SAUCER AROUND ROOTBALL

100mm MULCH DEPTH WITH 25mm DEPTH AT SHRUB BASE

FINISHED GRADE

MACHINE CUT EDGE

REMOVE POTTING CONTAINER. LOOSEN ROOTS AND SPREAD TO PROMOTE GROWTH

PLANTING SOIL

SCARIFY BOTTOM OF PLANTING PIT 150mm DEEP

SUBGRADE

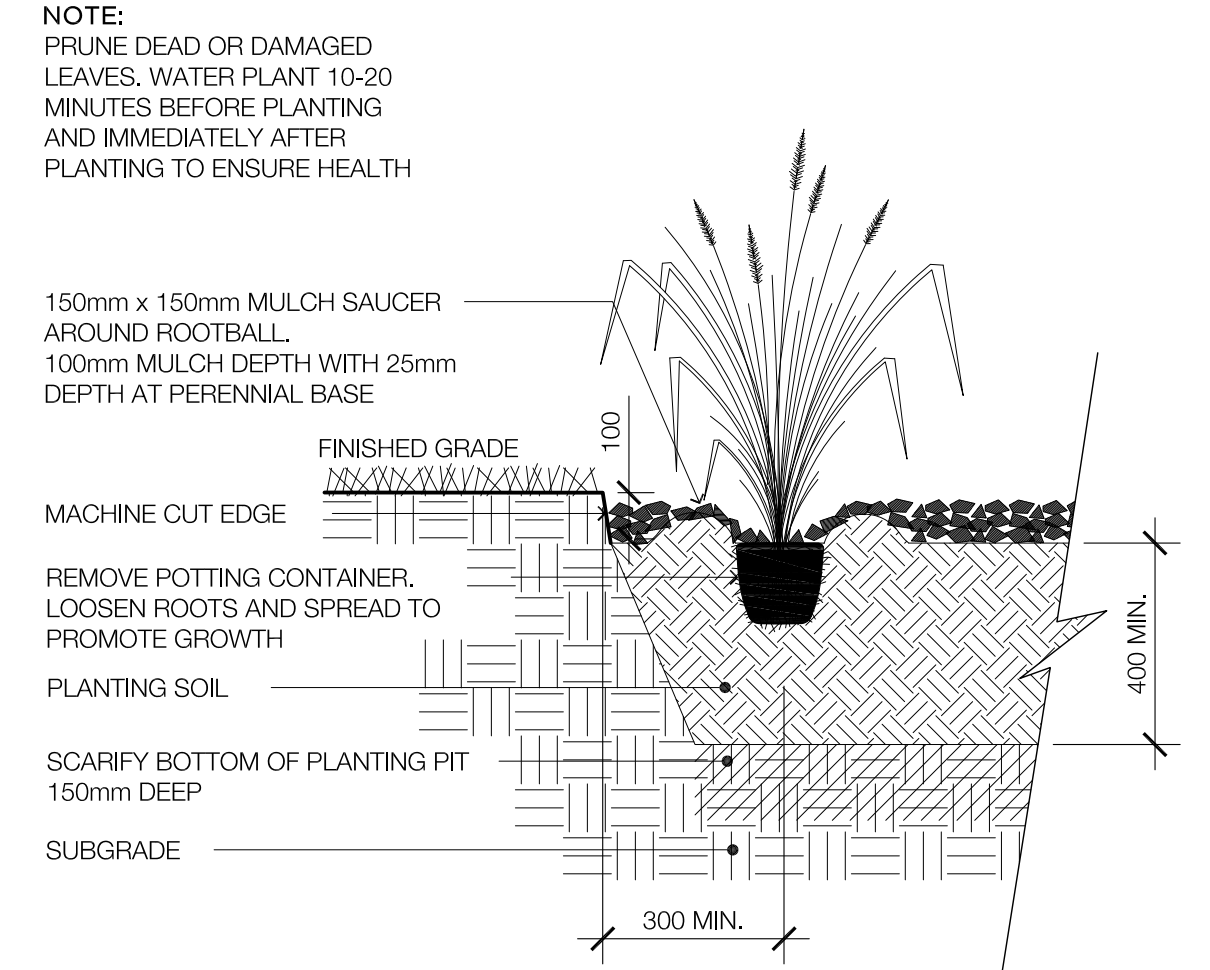
500 MIN.

500 MIN.

1 DECIDUOUS TREE PLANTING
L3-1 NTS

2 CONIFEROUS TREE PLANTING
L3-1 NTS

3 SHRUB PLANTING
L3-1 NTS



NOTE:
PRUNE DEAD OR DAMAGED LEAVES. WATER PLANT 10-20 MINUTES BEFORE PLANTING AND IMMEDIATELY AFTER PLANTING TO ENSURE HEALTH

150mm x 150mm MULCH SAUCER AROUND ROOTBALL

100mm MULCH DEPTH WITH 25mm DEPTH AT PERENNIAL BASE

FINISHED GRADE

MACHINE CUT EDGE

REMOVE POTTING CONTAINER. LOOSEN ROOTS AND SPREAD TO PROMOTE GROWTH

PLANTING SOIL

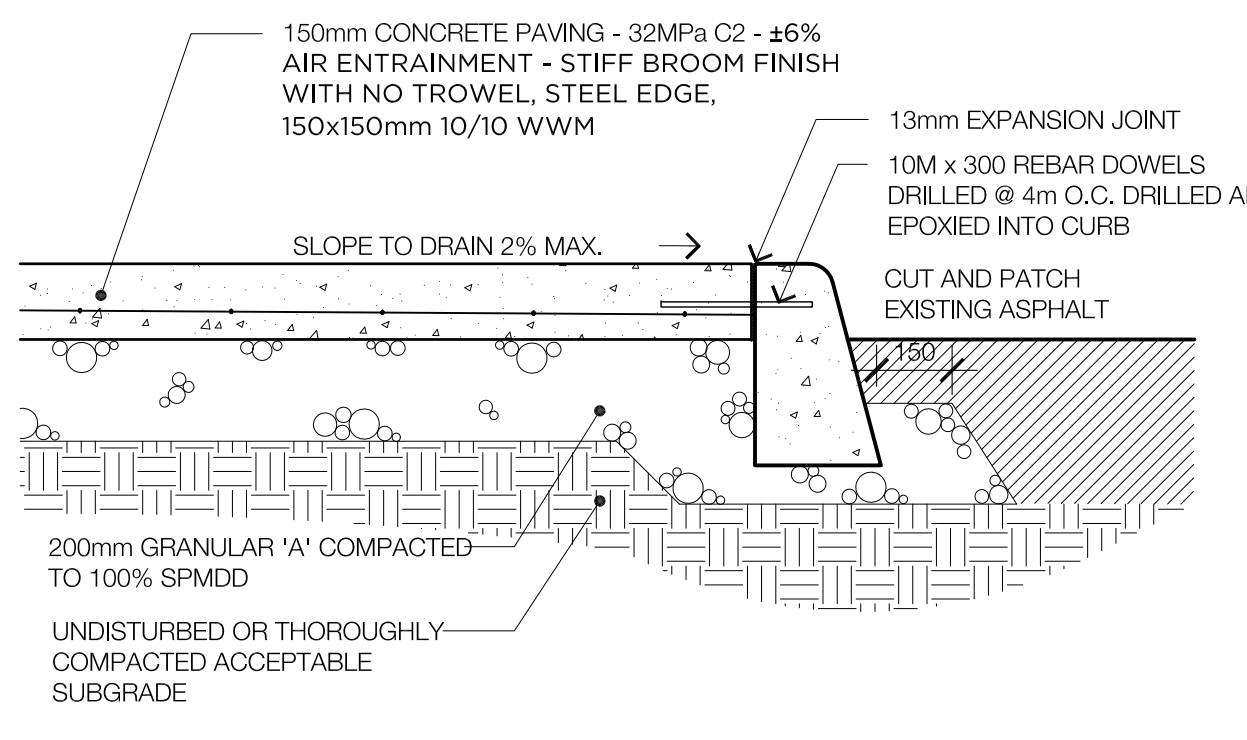
SCARIFY BOTTOM OF PLANTING PIT 150mm DEEP

SUBGRADE

400 MIN.

300 MIN.

4 PERENNIAL GRASS PLANTING
L3-1 NTS



150mm CONCRETE PAVING - 32MPa C2 - ±6% AIR ENTRAINMENT - STIFF BROOM FINISH WITH NO TROWEL, STEEL EDGE, 150x150mm 10/10 WWM

13mm EXPANSION JOINT

10M x 300 REBAR DOWELS DRILLED @ 4m O.C. DRILLED AND EPOXIED INTO CURB

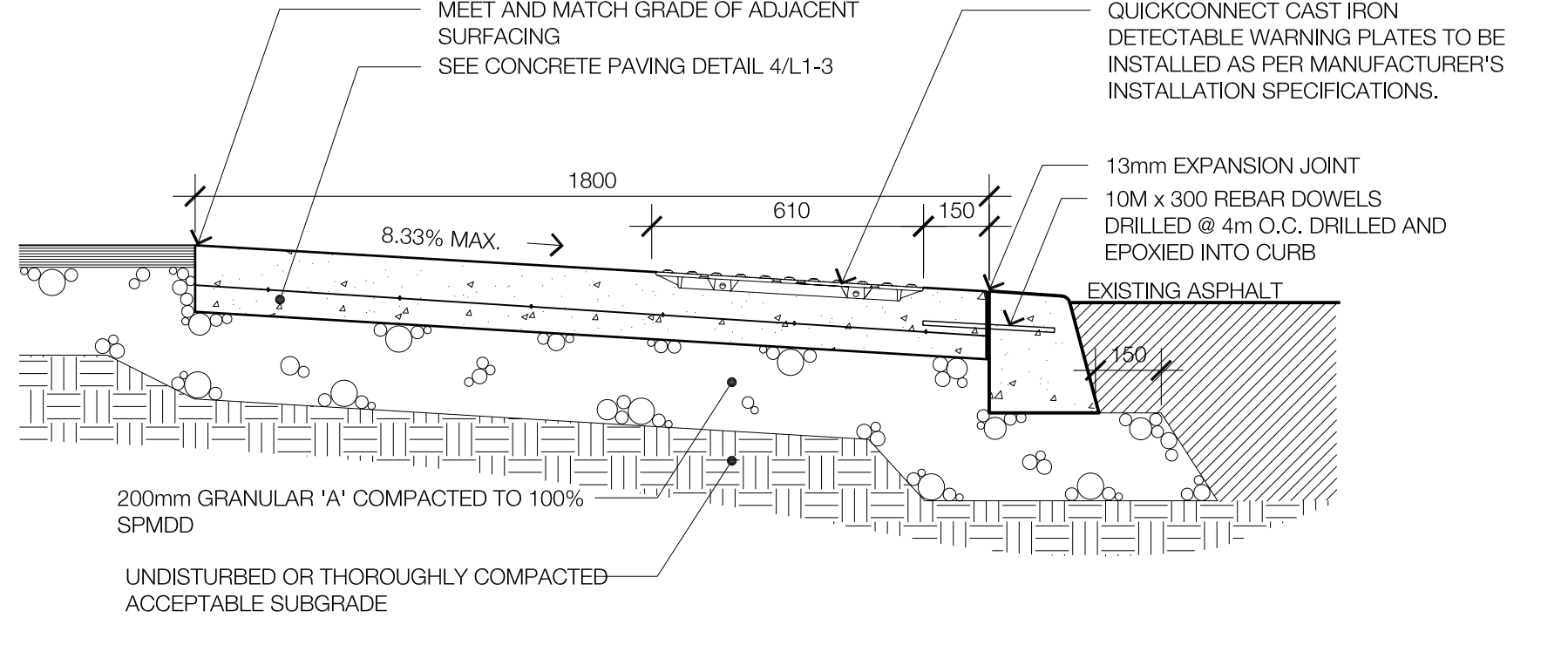
CUT AND PATCH EXISTING ASPHALT

200mm GRANULAR 'A' COMPACTED TO 100% SPMD

UNDISTURBED OR THOROUGHLY COMPACTED ACCEPTABLE SUBGRADE

SLOPE TO DRAIN 2% MAX.

5 LIGHT DUTY CONCRETE PAVING
L3-1 1:15



MEET AND MATCH GRADE OF ADJACENT SURFACING
SEE CONCRETE PAVING DETAIL 4/L1-3

QUICKCONNECT CAST IRON DETECTABLE WARNING PLATES TO BE INSTALLED AS PER MANUFACTURER'S INSTALLATION SPECIFICATIONS.

13mm EXPANSION JOINT

10M x 300 REBAR DOWELS DRILLED @ 4m O.C. DRILLED AND EPOXIED INTO CURB

EXISTING ASPHALT

200mm GRANULAR 'A' COMPACTED TO 100% SPMD

UNDISTURBED OR THOROUGHLY COMPACTED ACCEPTABLE SUBGRADE

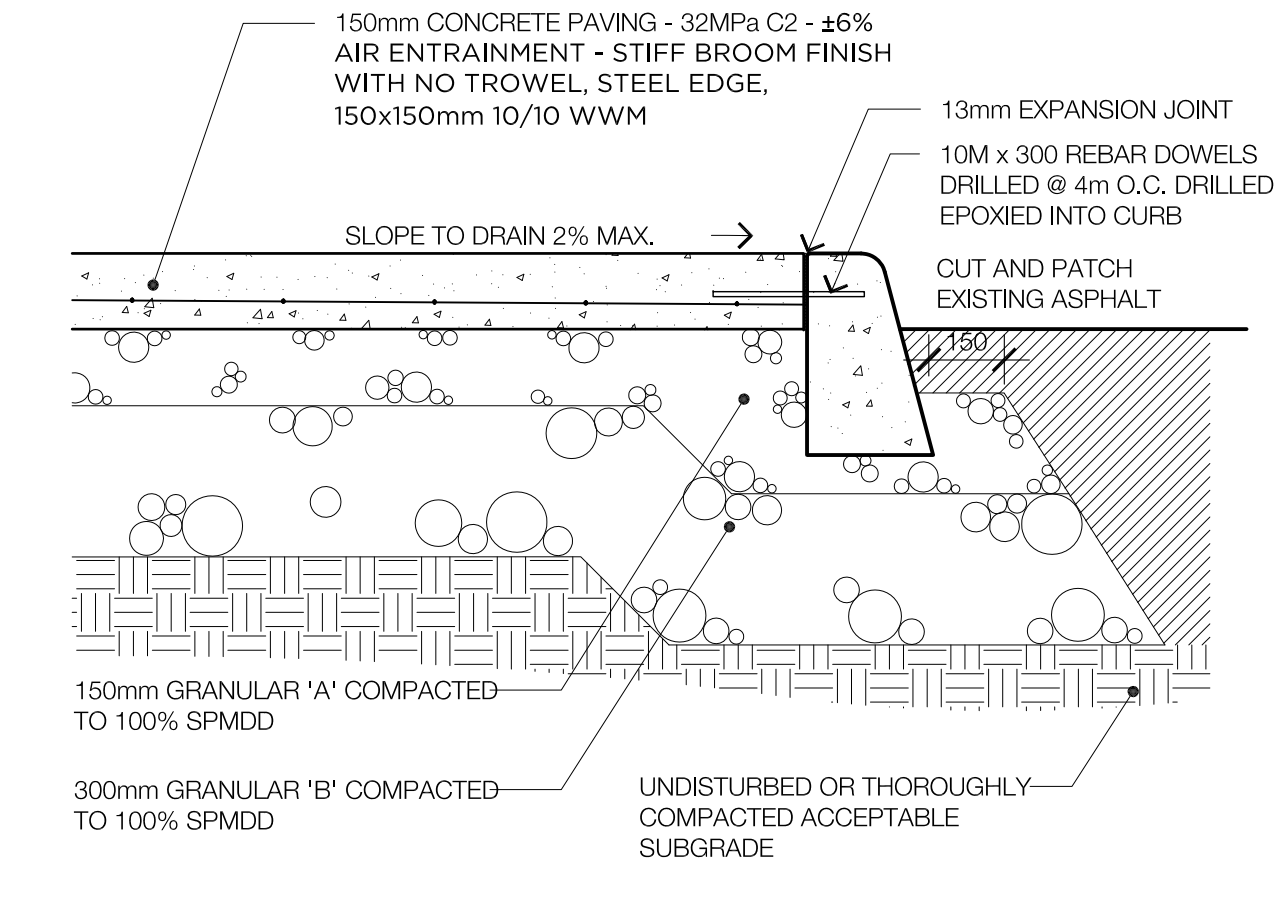
8.33% MAX.

1800

610

150

6 DETECTABLE WARNING STRIP
L3-1 1:15



150mm CONCRETE PAVING - 32MPa C2 - ±6% AIR ENTRAINMENT - STIFF BROOM FINISH WITH NO TROWEL, STEEL EDGE, 150x150mm 10/10 WWM

13mm EXPANSION JOINT

10M x 300 REBAR DOWELS DRILLED @ 4m O.C. DRILLED AND EPOXIED INTO CURB

CUT AND PATCH EXISTING ASPHALT

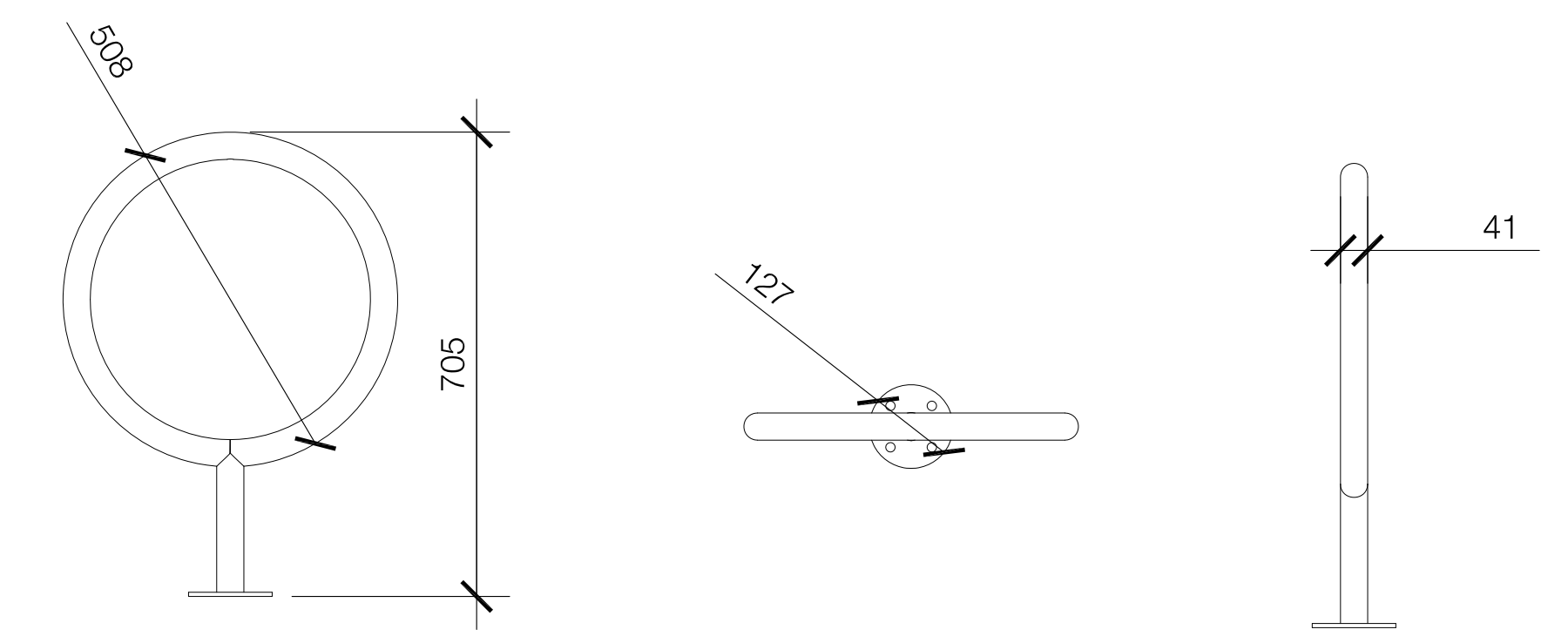
150mm GRANULAR 'A' COMPACTED TO 100% SPMD

300mm GRANULAR 'B' COMPACTED TO 100% SPMD

UNDISTURBED OR THOROUGHLY COMPACTED ACCEPTABLE SUBGRADE

SLOPE TO DRAIN 2% MAX.

7 HEAVY DUTY CONCRETE PAVING
L3-1 1:15



8 BIKE RACK
L3-1 1:10

GENERAL NOTES:

LEGEND

REVISIONS

NO.	D	M	Y	REVISION	FORMAT
2	13/02/2018			FOR SPA SUBMISSION	PDF
1	31/01/2018			FOR CLIENT REVIEW	PDF

PROJECT / LOCATION :

1000 MCGARRY TERRACE
OTTAWA, ONTARIO

CLIENT

DYMON MANAGEMENT

FOTENN
Planning + Design

223 McLeod Street, Ottawa ON K2P 0Z8 613.730.5709 www.fotenn.com



SHEET TITLE

DETAILS

REVIEWED	GH	DRAWING NO.
DRAWN	KZ	SHEET NO.
DATE	31 JAN 2018	L3-1
SCALE	AS NOTED	

CITY PROJECT NO.