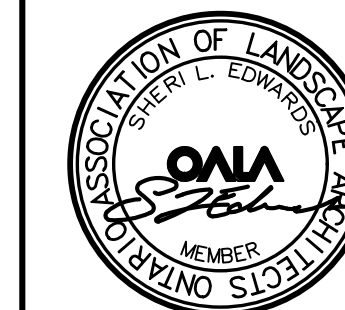


No.	Revision	Date
2	REVISED FOR SPA	01/02/2019
1	ISSUED FOR SPA	09/11/2018

North: Stamp:



CSW
Landscape Architecture
Urban Design
Site Planning
Recreation and Park Planning
Project Management

319 McRae Avenue, Suite 502, Ottawa, Ontario, K1Z 0B9
Tel: (613) 729-4536

- All measurements in millimeters unless specified otherwise. Do not scale drawing. All drawings to be read in conjunction with written specifications.
- Copyright reserved. This drawing is the exclusive property of CSW Landscape Architects Ltd. and shall not be used without the consent thereof.
- This Drawing may not be used for construction until signed by the landscape architect. It is the responsibility of the contractor to:
 - check and verify all dimensions on site;
 - report all errors and/or omissions to the landscape architect;
 - comply with all pertinent codes and by-laws;
 - check and verify locations of all underground services with all local utilities prior to any digging.

Project:
**ELMVALE ACRES
REDEVELOPMENT - PH I**

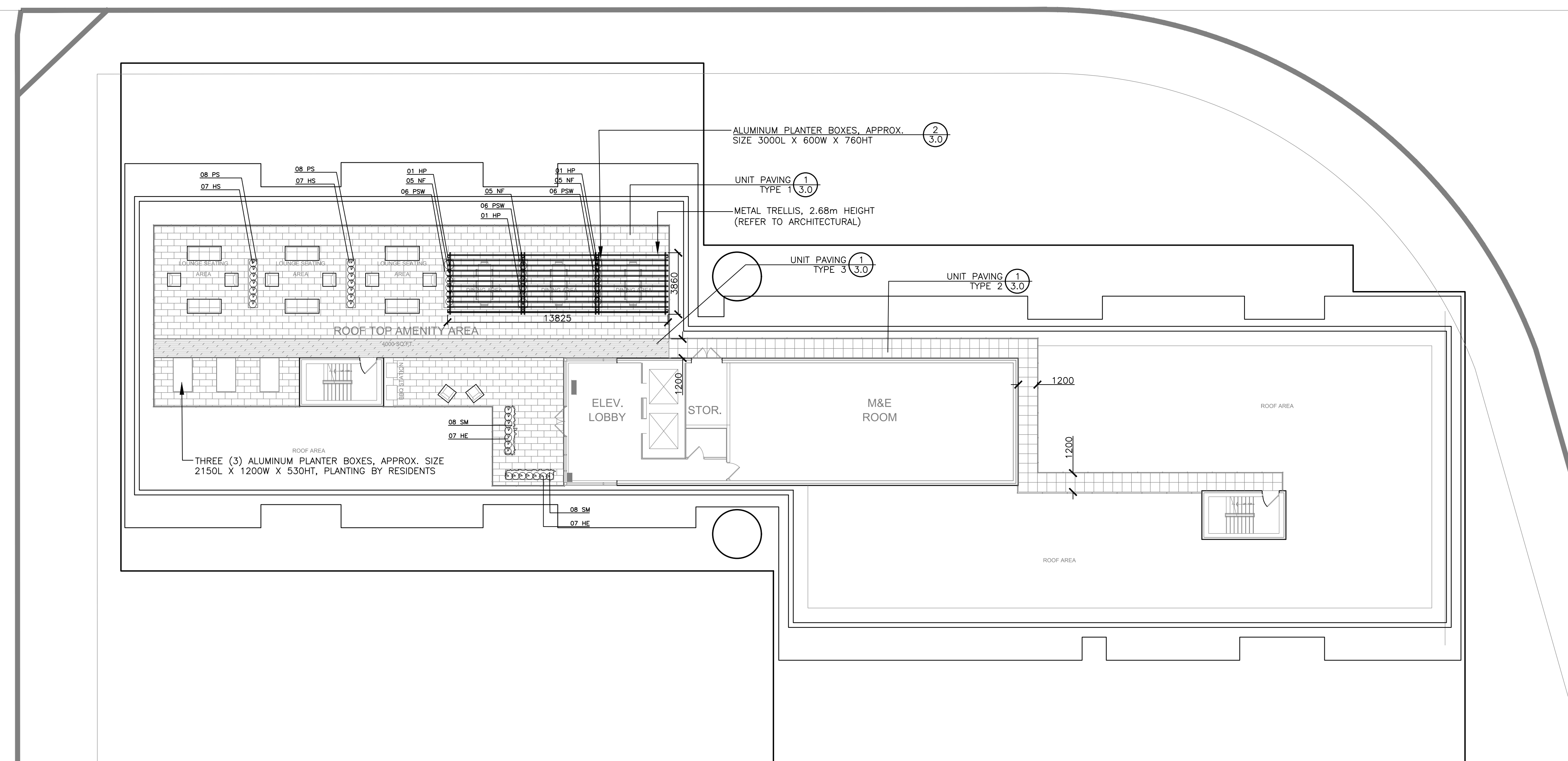
OTTAWA, ONTARIO

Drawing:
**LANDSCAPE PLAN
UPPER TERRACE**

Scale: 1:200 Date: NOV 2018

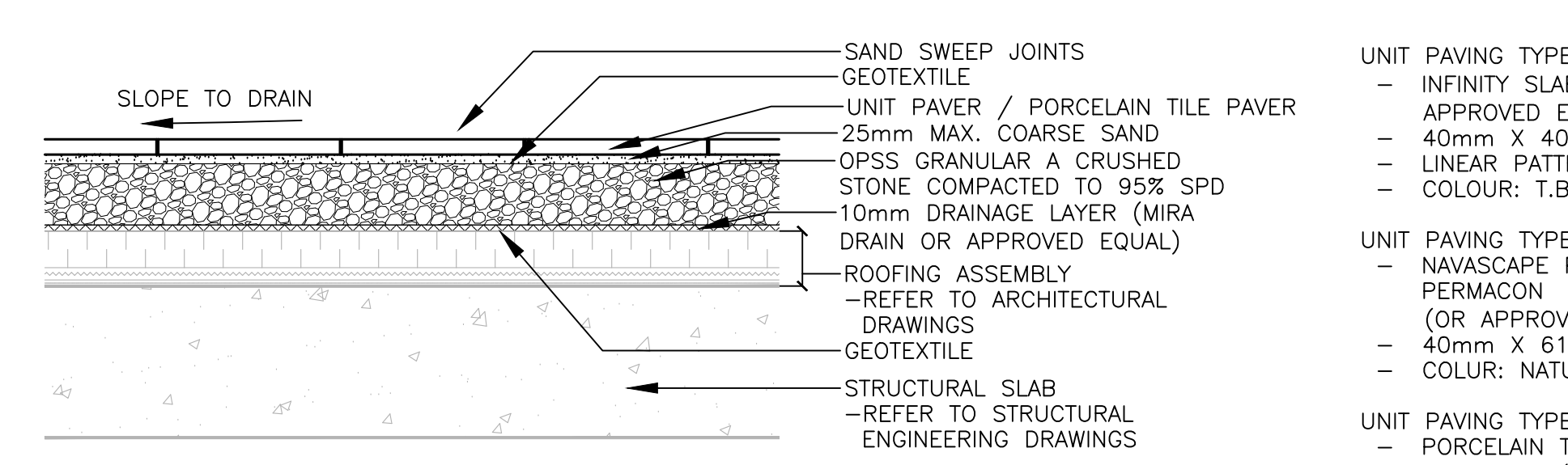
Design By: SE Drawn By: SE

Project Number: 1907-02 Sheet Number: **L 3.0**

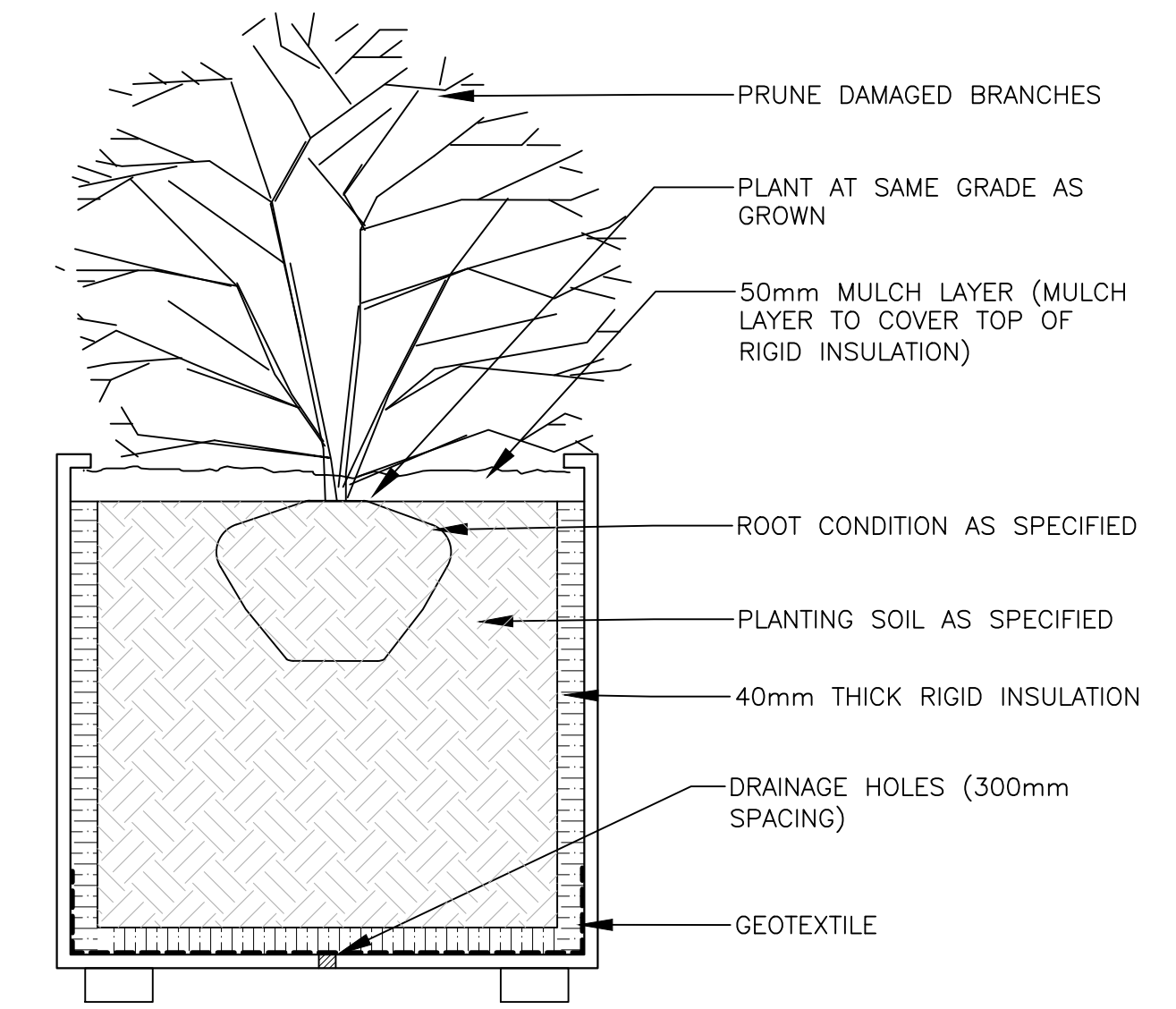


PLANT LIST

SYM.	BOTANICAL NAME	COMMON NAME	QTY.	SIZE	REMARKS
SHRUBS					
HP	HYDRANGEA PETIOLARIS	CLIMBING HYDRANGEA	03	500mm HT.	POT.
PERENNIALS					
HE	HEUCHERA 'PLUM PUDDING'	PLUM PUDDING CHORAL BELLS	14	1 GAL.	POT. 600mm O.C.
NF	NEPETA X FAASSENII 'WALKERS LOW'	WALKERS LOW CATMINT	15	1 GAL.	POT. 600mm O.C.
PS	PHLOX SUBULATA 'EMERALD PINK'	CREeping PHLOX 'PINK'	16	1 GAL.	POT. 600mm O.C.
PSW	PHLOX SUBULATA 'WHITE DELIGHT'	CREeping PHLOX 'WHITE'	18	1 GAL.	POT. 600mm O.C.
SM	SEDUM MEXICANUM 'GOLD MOUND'	GOLD MOUND SEDUM	16	1 GAL.	POT. 600mm O.C.
ORNAMENTAL GRASS					
HS	HELICTOTRICHON 'SEMPERVIRENS'	BLUE OAT GRASS	14	1 GAL.	POT. 600mm O.C.



1 UNIT PAVING Scale: 1:1



2 LANDSCAPE PLANTER Scale: 1:1

