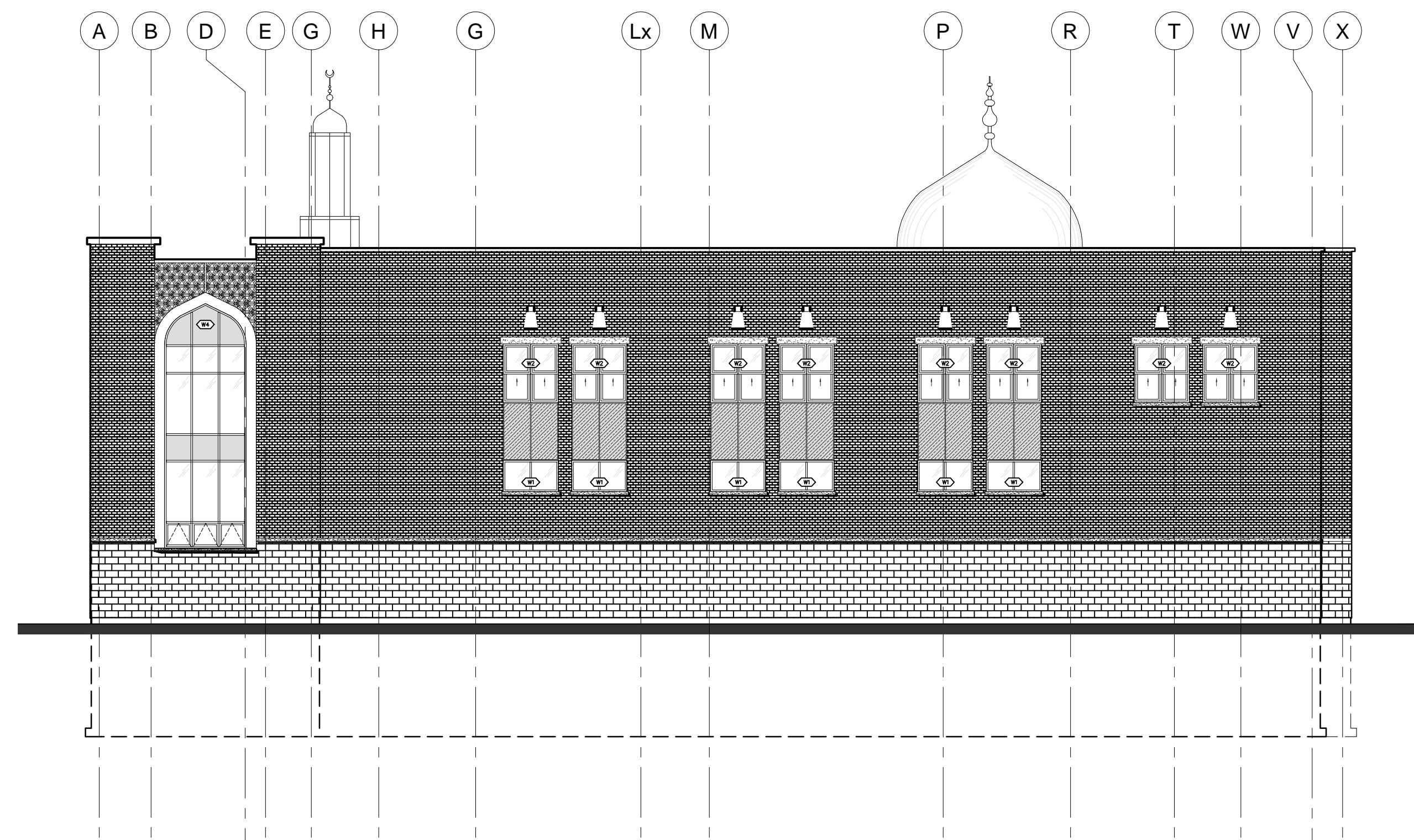
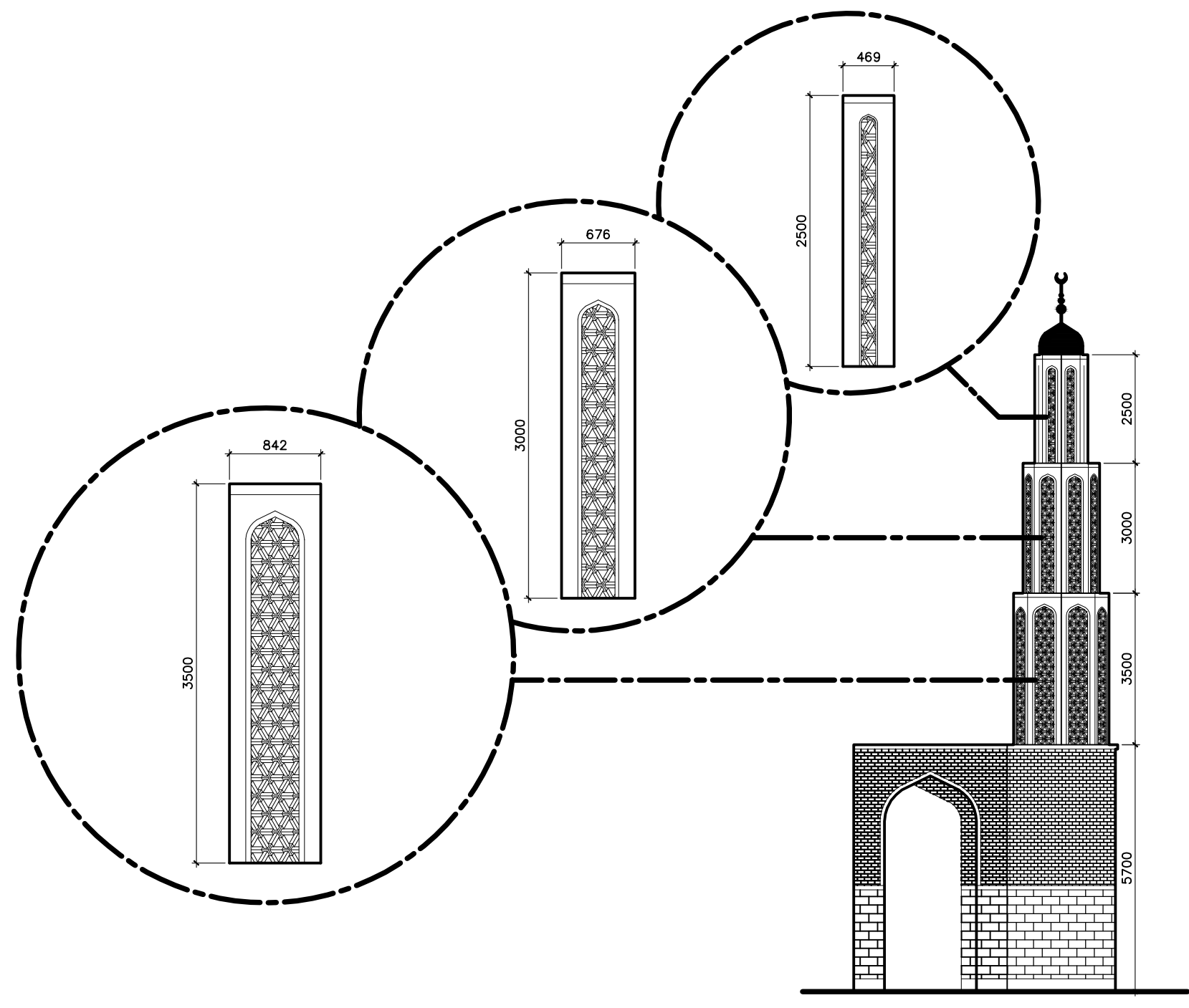


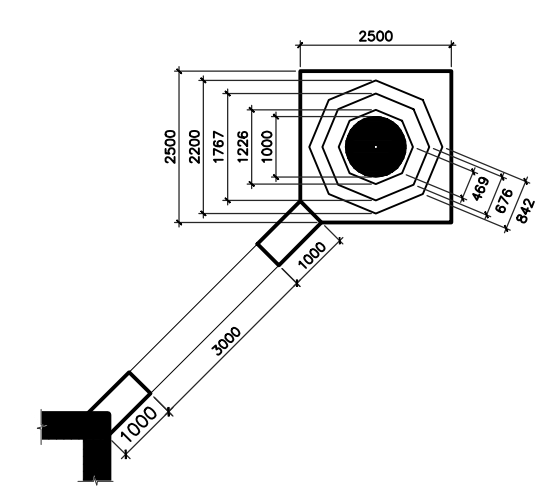
1 SOUTH [REAR] ELEVATION  
A401 SCALE 1:125



2 WEST [SIDE] ELEVATION  
A401 SCALE 1:125



3 MINARET PLAN/ELEVS  
A401 SCALE 1:125



NOTES:  
1. ALL WORK TO BE ACCORDANCE WITH LOCAL, REGIONAL, FEDERAL, PROVINCIAL AND NATIONAL STANDARDS.  
2. ALL WORK TO BE ACCORDANCE WITH THE NATIONAL BUILDING CODE OF CANADA AND THE NATIONAL ELECTRICAL CODE OF CANADA.  
3. ALL WORK TO BE ACCORDANCE WITH THE NATIONAL MECHANICAL CODE OF CANADA AND THE NATIONAL PLUMBING CODE OF CANADA.  
4. ALL WORK TO BE ACCORDANCE WITH THE NATIONAL FIRE CODE OF CANADA AND THE NATIONAL SAFETY CODE OF CANADA.  
5. ALL WORK TO BE ACCORDANCE WITH THE NATIONAL ENVIRONMENTAL CODE OF CANADA AND THE NATIONAL ENERGY CODE OF CANADA.  
6. ALL WORK TO BE ACCORDANCE WITH THE NATIONAL TRANSPORTATION CODE OF CANADA AND THE NATIONAL INFRASTRUCTURE CODE OF CANADA.  
7. ALL WORK TO BE ACCORDANCE WITH THE NATIONAL COMMUNICATIONS CODE OF CANADA AND THE NATIONAL MEDIA CODE OF CANADA.  
8. ALL WORK TO BE ACCORDANCE WITH THE NATIONAL CULTURAL CODE OF CANADA AND THE NATIONAL HERITAGE CODE OF CANADA.  
9. ALL WORK TO BE ACCORDANCE WITH THE NATIONAL SOCIAL CODE OF CANADA AND THE NATIONAL LABOR CODE OF CANADA.  
10. ALL WORK TO BE ACCORDANCE WITH THE NATIONAL ECONOMIC CODE OF CANADA AND THE NATIONAL FINANCIAL CODE OF CANADA.

1. 190-390 SPLIT FACE BLOCK  
2. ARCHITECTURAL SHOULDRICE BLOCK  
3. METRIC MODULAR BRICK  
4. BRAMPTON BRICK  
5. PREFINISHED METAL FLASHING  
6. ROOF PARAPET  
7. ALUMINUM PANELS  
8. PRECAST CONCRETE SILL w/ DRIP EDGE  
9. EXTERIOR LANDSCAPE  
10. SWARTS, RAMPS, PLANTERS  
11. PRECAST CONCRETE HEADER  
12. EXTERIOR MOSAIC TILE  
13. T.B.D. BY CLIENT / DESIGNER  
14. EIFS  
15. WALL SOUNCE  
16. REFER TO ELECTRICAL DWGS  
17. WALL BACK  
18. REFER TO ELECTRICAL DWGS  
19. ROOF ACCESS LADDER  
20. CHASED IF REQUIRED BY M.E.L.  
21. CONCRETE FOUNDATION w/ PARING  
22. 1070mm HIGH GUARD  
23. PRE-FAB FIBERGLASS DOME

PROFESSIONAL ARCHITECT  
DON HERWEYER, MCIP, RPP, MANAGER  
PLANNING, INFRASTRUCTURE AND ECONOMIC DEVELOPMENT DEPARTMENT, CITY OF OTTAWA

PROFESSIONAL ARCHITECT  
DON HERWEYER, MCIP, RPP, MANAGER  
PLANNING, INFRASTRUCTURE AND ECONOMIC DEVELOPMENT DEPARTMENT, CITY OF OTTAWA

PROFESSIONAL ARCHITECT  
DON HERWEYER, MCIP, RPP, MANAGER  
PLANNING, INFRASTRUCTURE AND ECONOMIC DEVELOPMENT DEPARTMENT, CITY OF OTTAWA

20	
19	
18	
17	
16	
15	
14	
13	
12	
11	
10	
09	2017-01-06 RE-ISSUED FOR SPIC & ZBA
08	2016-02-16 ISSUED FOR SITE PLAN
07	2016-01-26 SITE PLAN UPDATE
06	2016-01-14 POOL COORDINATION
05	2015-08-26 WASHROOM REVISION
04	2015-07-23 CLIENT REVISION
03	2015-06-10 CIVIL AND GRADING
02	2015-04-21 (BLOCK) STRUCTURE
01	2015-03-05 (STEEL) STRUCTURE

PROFESSIONAL ARCHITECT  
DON HERWEYER, MCIP, RPP, MANAGER  
PLANNING, INFRASTRUCTURE AND ECONOMIC DEVELOPMENT DEPARTMENT, CITY OF OTTAWA

PROFESSIONAL ARCHITECT  
DON HERWEYER, MCIP, RPP, MANAGER  
PLANNING, INFRASTRUCTURE AND ECONOMIC DEVELOPMENT DEPARTMENT, CITY OF OTTAWA

PROFESSIONAL ARCHITECT  
DON HERWEYER, MCIP, RPP, MANAGER  
PLANNING, INFRASTRUCTURE AND ECONOMIC DEVELOPMENT DEPARTMENT, CITY OF OTTAWA

PROFESSIONAL ARCHITECT  
DON HERWEYER, MCIP, RPP, MANAGER  
PLANNING, INFRASTRUCTURE AND ECONOMIC DEVELOPMENT DEPARTMENT, CITY OF OTTAWA

PROFESSIONAL ARCHITECT  
DON HERWEYER, MCIP, RPP, MANAGER  
PLANNING, INFRASTRUCTURE AND ECONOMIC DEVELOPMENT DEPARTMENT, CITY OF OTTAWA

APPROVED  REFUSED   
THIS \_\_\_\_\_ DAY OF \_\_\_\_\_, 20\_\_\_\_  
DON HERWEYER, MCIP, RPP, MANAGER  
DEVELOPMENT REVIEW SOUTH  
PLANNING, INFRASTRUCTURE AND ECONOMIC  
DEVELOPMENT DEPARTMENT, CITY OF OTTAWA

A 401