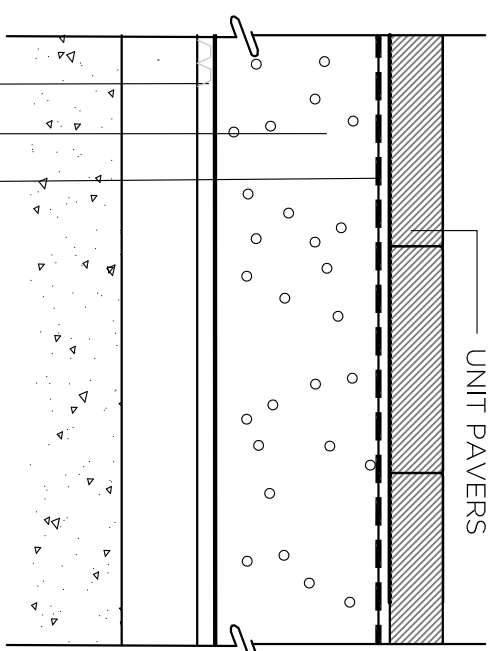
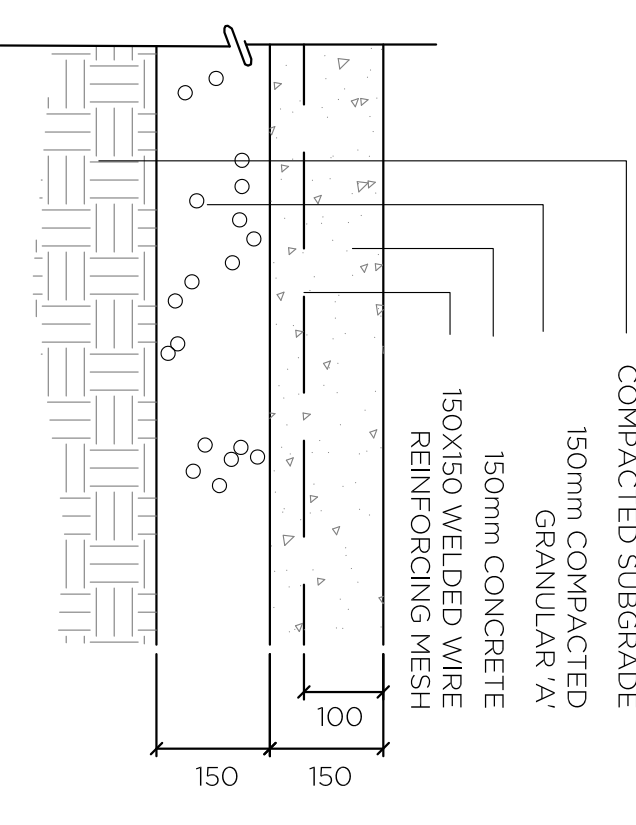


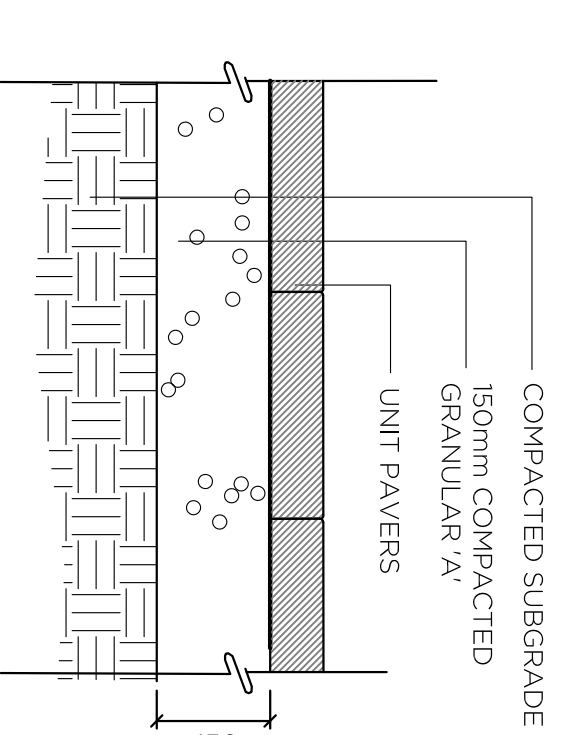
1 SHRUB PLANTING N.T.S.



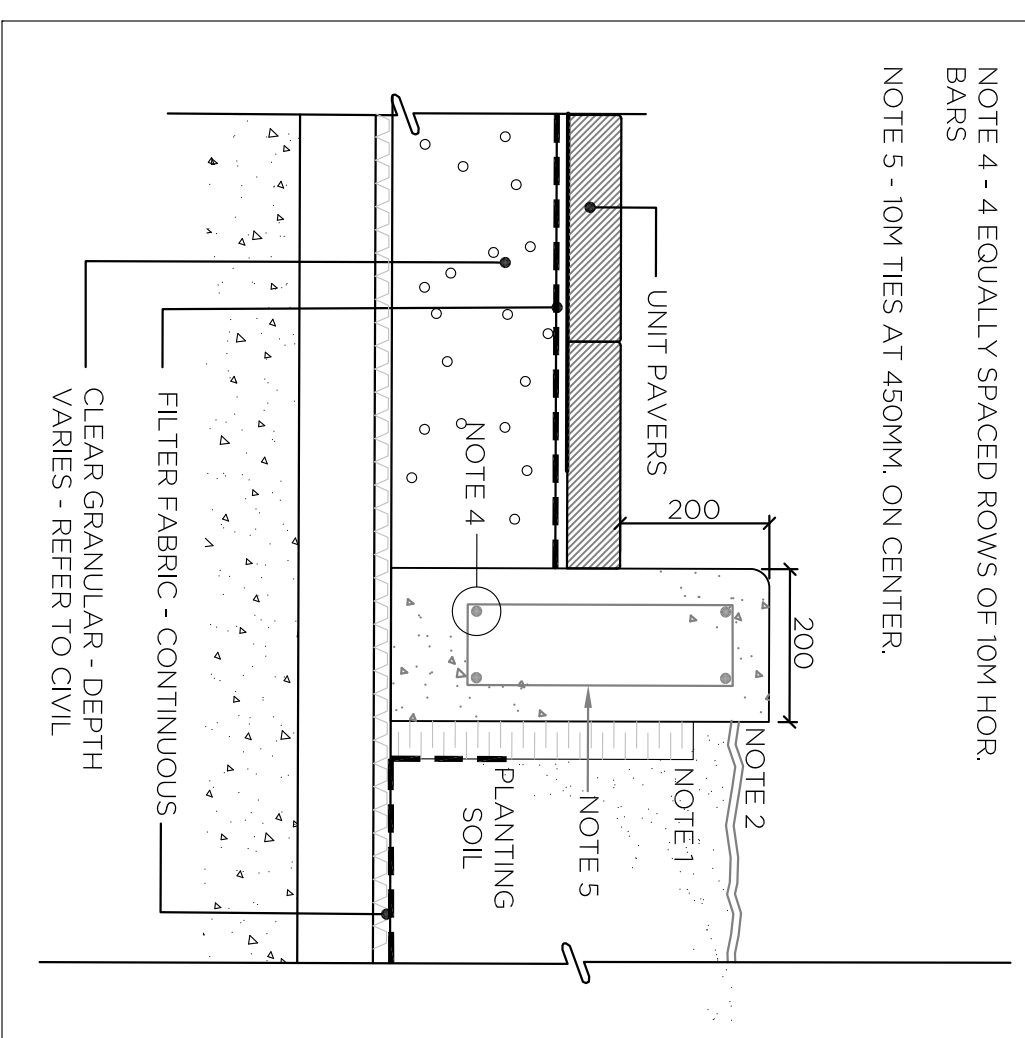
2 UNIT PAVERS ON SLAB N.T.S.



3 CONCRETE ON GRANULAR N.T.S.

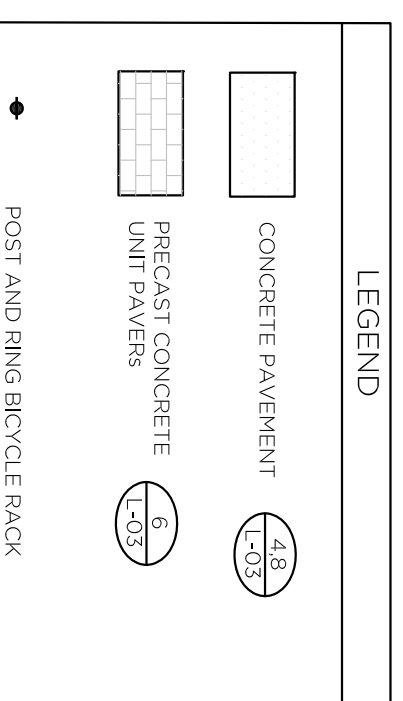


4 UNIT PAVERS ON GRANULAR N.T.S.

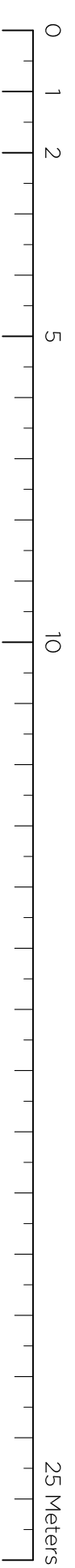
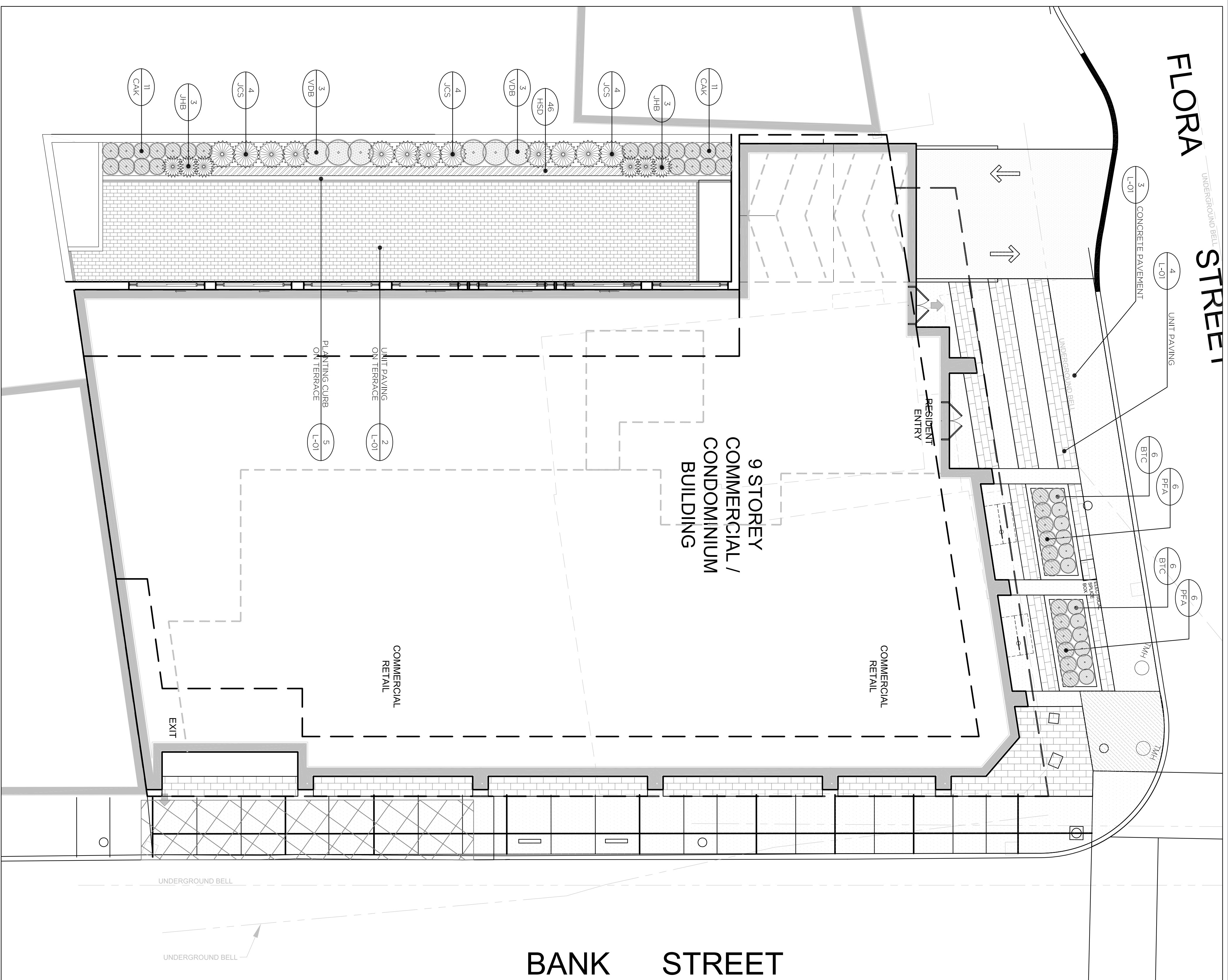


5 PLANTING CURB N.T.S.

- NOTES
- FOR GRADES, REFER TO CIVIL
 - ALL CITY SIDEWALK TO SC2 - JOINTING PATTERNS TO MATCH EXISTING BANK STREET SIDEWALK.
 - THERE ARE NO TREES CURRENTLY ON THE SITE. THE CONTRACTOR SHALL INVESTIGATE THE PROPERTY, FURTHER INVESTIGATION IS REQUIRED TO DETERMINE THE EXTENT OF IMPACT.



SYM	BOTANICAL NAME	COMMON NAME	QTY	GRADE	COMMENTS
	DECIDUOUS SHRUBS				
BTC	BERBERIS THUNBERGII 'CONCORDE'	CONCORDE BARBERRY	12	30cm HT.	#7 CONTAINER
SBG	SPIRAEIRA BUXIFOLIA 'GOLDFLAME'	GOLDFLAME SPIREA	3	60cm HT.	#7 CONTAINER
PFA	POTENTILLA FRUTICOSA	ABBOTSWOOD POTENTILLA	5	60cm HT.	#7 CONTAINER
VDB	VIBURNUM DENTATUM 'BLUE MUFFIN'	BLUE MUFFIN VIBURNUM	6	1m HT.	#7 CONTAINER
	CONIFEROUS SHRUBS				
JHB	JUNIPERUS HORIZONTALIS 'BLUE CHIP'	BLUE CHIP JUNIPER	6	80cm SPR.	#7 CONTAINER
JCS	JUNIPERUS CHINENSIS 'SEA GREEN'	SEA GREEN JUNIPER	12	80cm SPR.	#7 CONTAINER
	PERENNIALS & GRASS				
CAK	CALAMAGROSTIS ACUTIFLORA 'KARL FOERSTER'	KARL FOERSTER FEATHER REED GRASS	22	#3 CONTAINER	SPACING AS SHOWN
HSD	HEMEROCALLIS 'STELLA DORO'	STELLA DORO DAYLILY	46	#2 CONTAINER	SPACING AS SHOWN



BANK STREET

FLORA STREET

9 STOREY COMMERCIAL / CONDOMINIUM BUILDING

COMMERCIAL RETAIL

COMMERCIAL RETAIL

UNDERGROUND BELL

UNDERGROUND BELL

PROJECT BANK & FLORA 488 & 500 BANK STREET OTTAWA, ONTARIO		PROJECT NORTH	
DRAWING LANDSCAPE PLAN		SCALE: 1:100 DRAWN: LM CHECKED: LM DATE: 2014-07-29	
DRAWING NO. L-01		REVISION NO. 00	

1	SUBMITTED FOR SPA	2014-07-31
2	SUBMITTED FOR REVIEW	2014-07-29
NO.	ISSUE & REVISIONS	DATE

- The General Contractor shall verify all conditions in the field and report any discrepancies to the landscape architect prior to construction.
- Any areas outside the limit of work damaged by the General Contractor shall be restored by the General Contractor to the satisfaction of the contract administrator at no additional cost to the Owner.
- All underground utilities to be located by the General Contractor prior to the commencement of any work.
- This drawing is a portion of a complete project and shall be read in conjunction with all other drawings, specifications and tender documents related to the project, regardless of origin.
- All measurements in millimeters unless otherwise noted.
- Do not scale drawing.