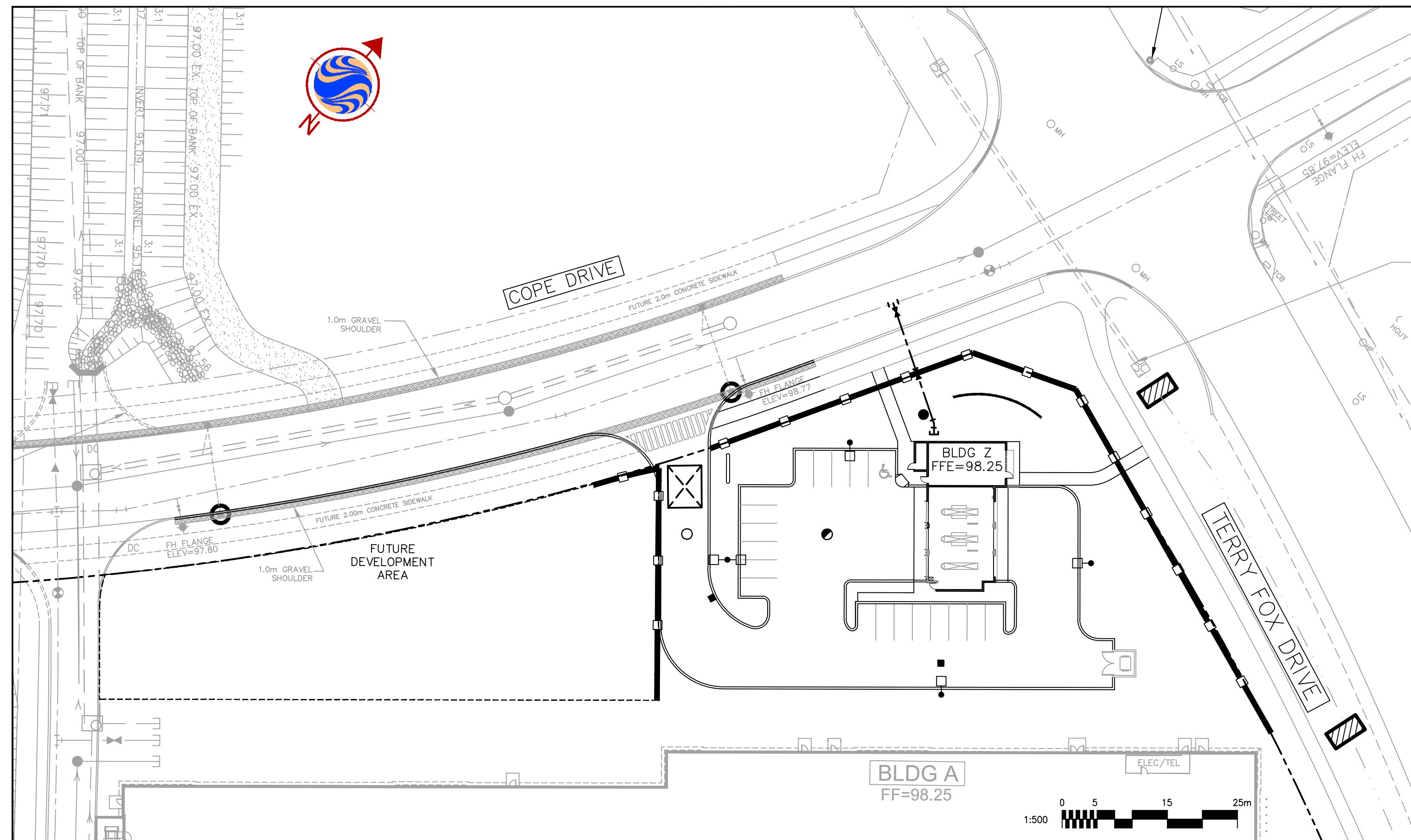
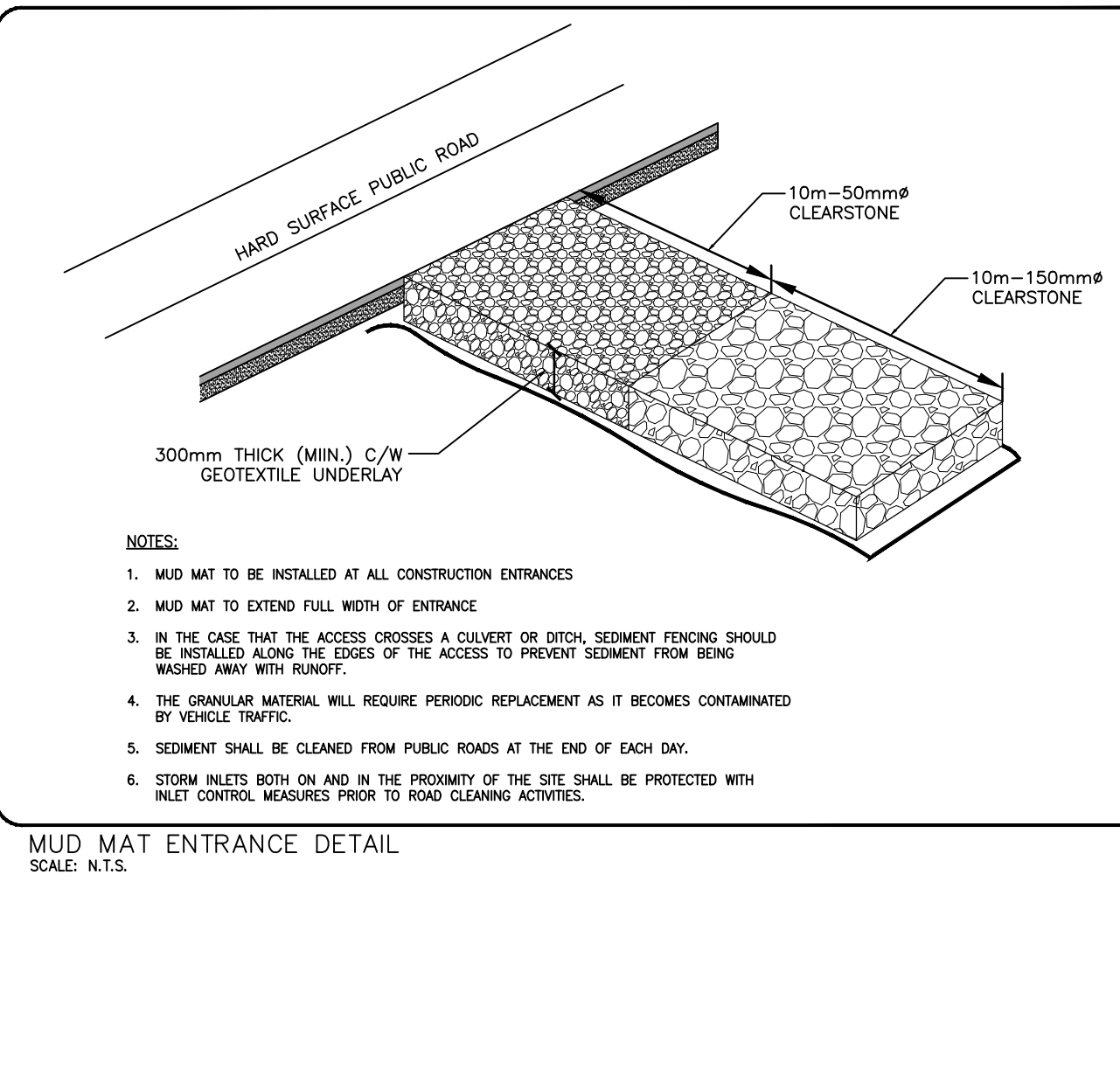
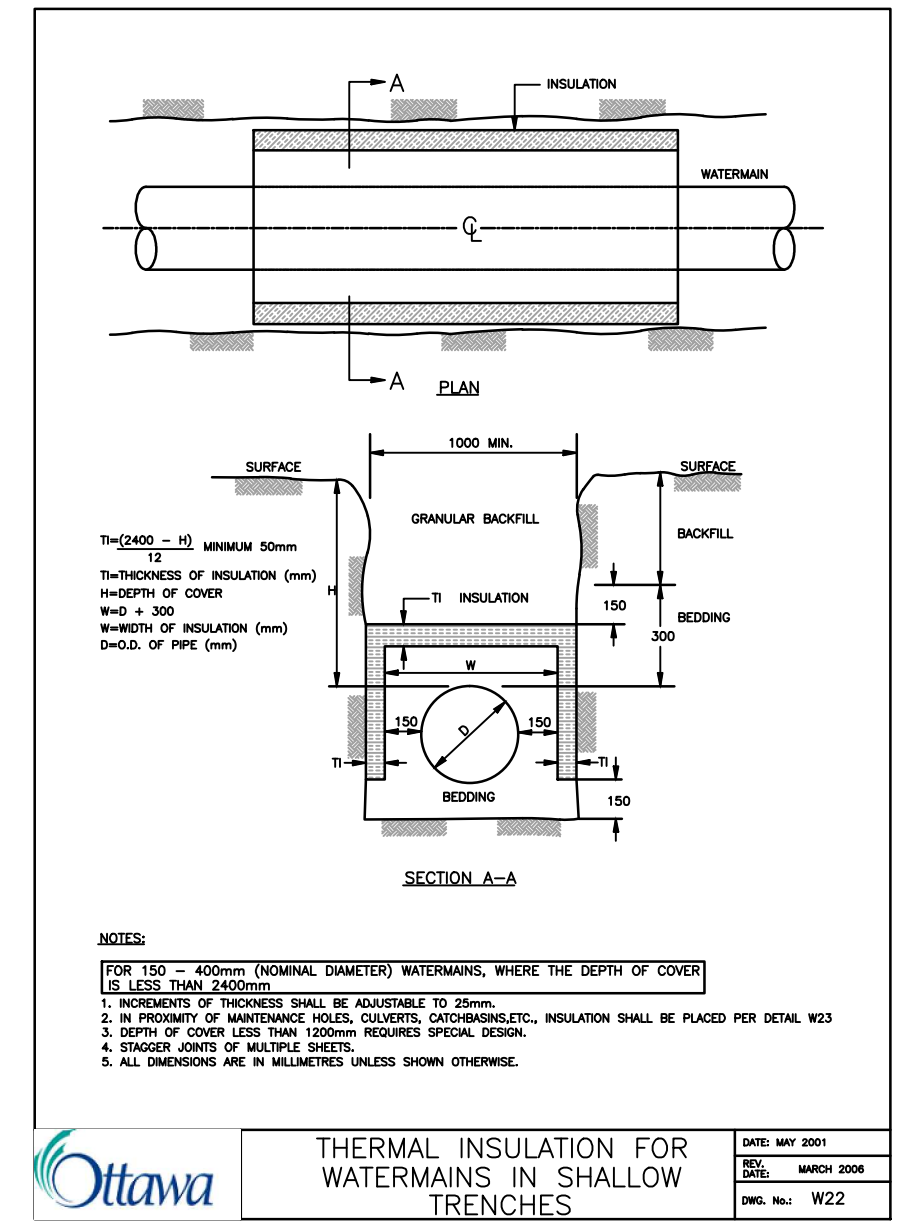
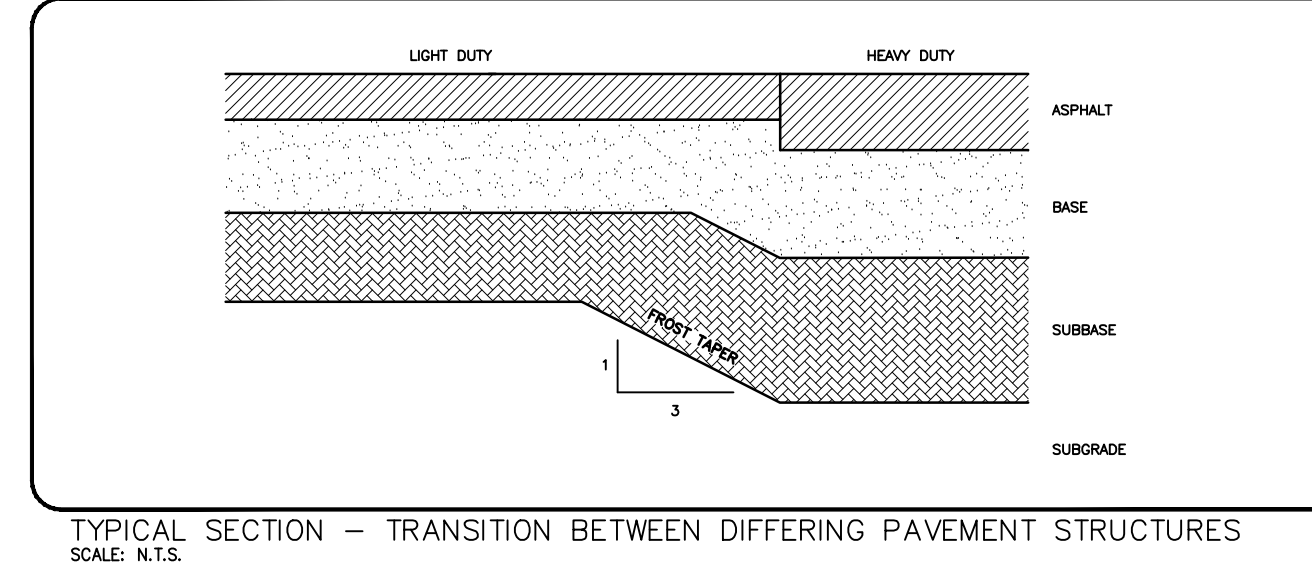
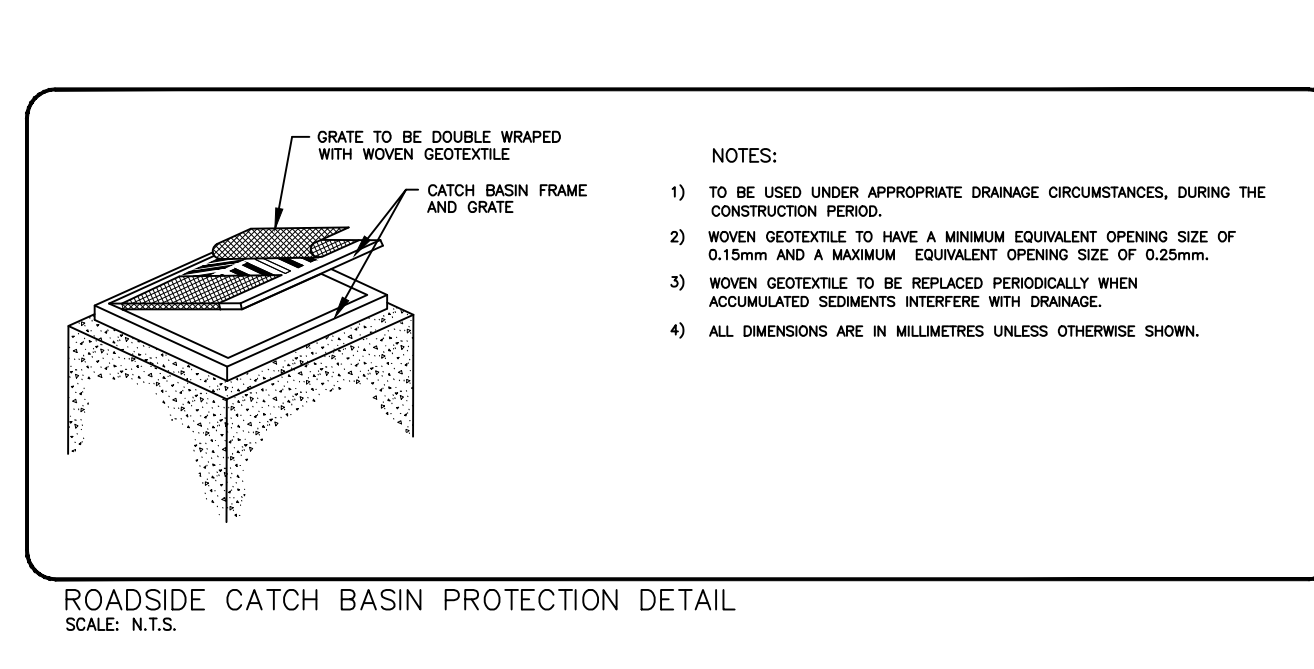
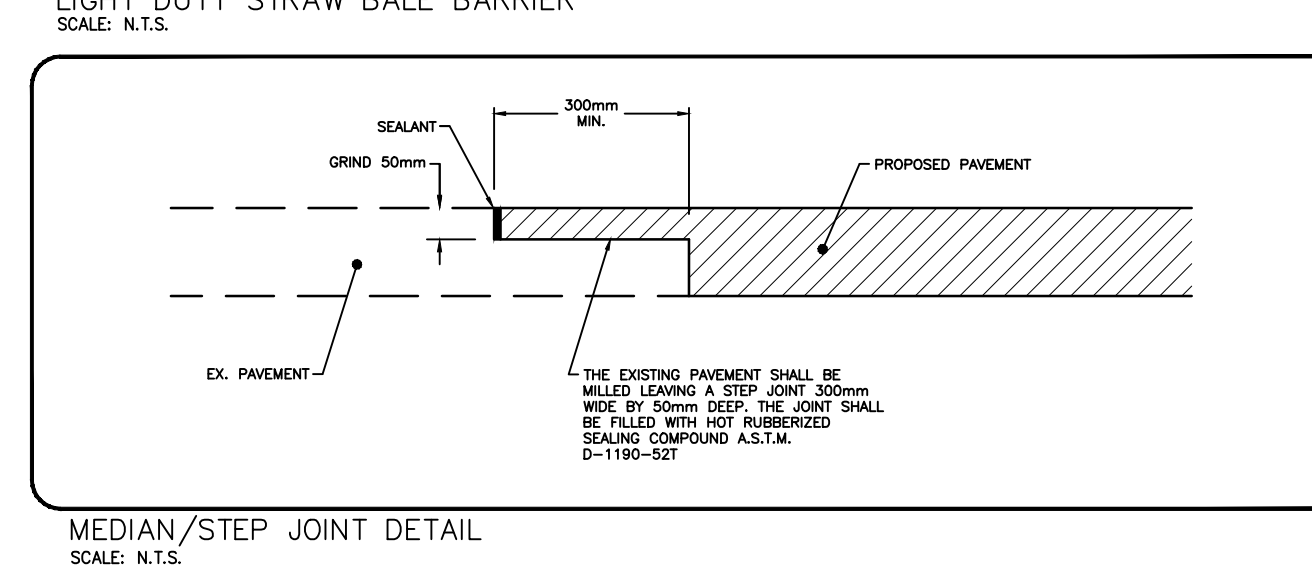
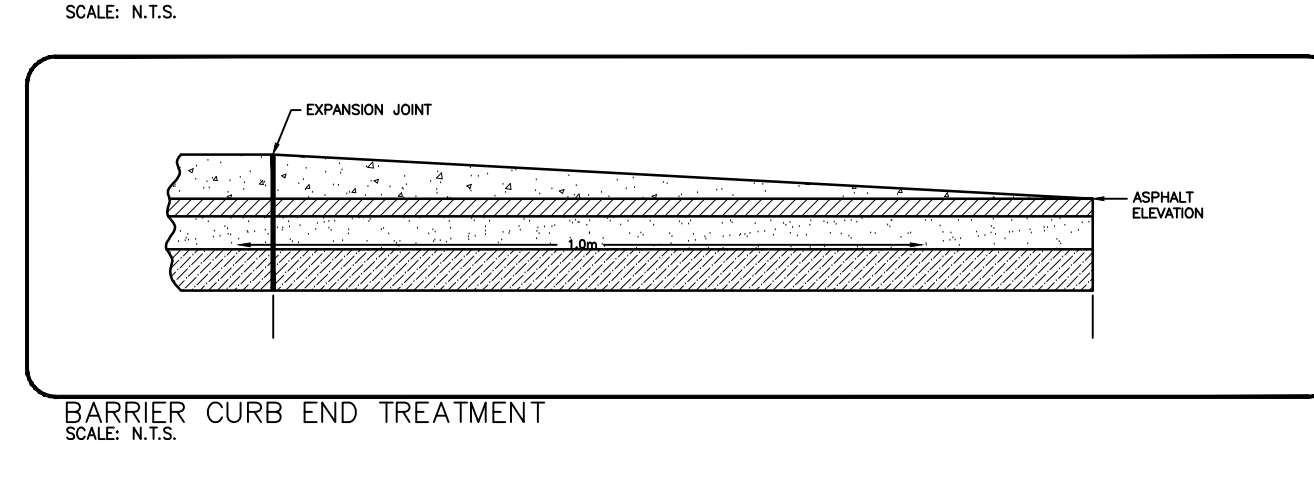
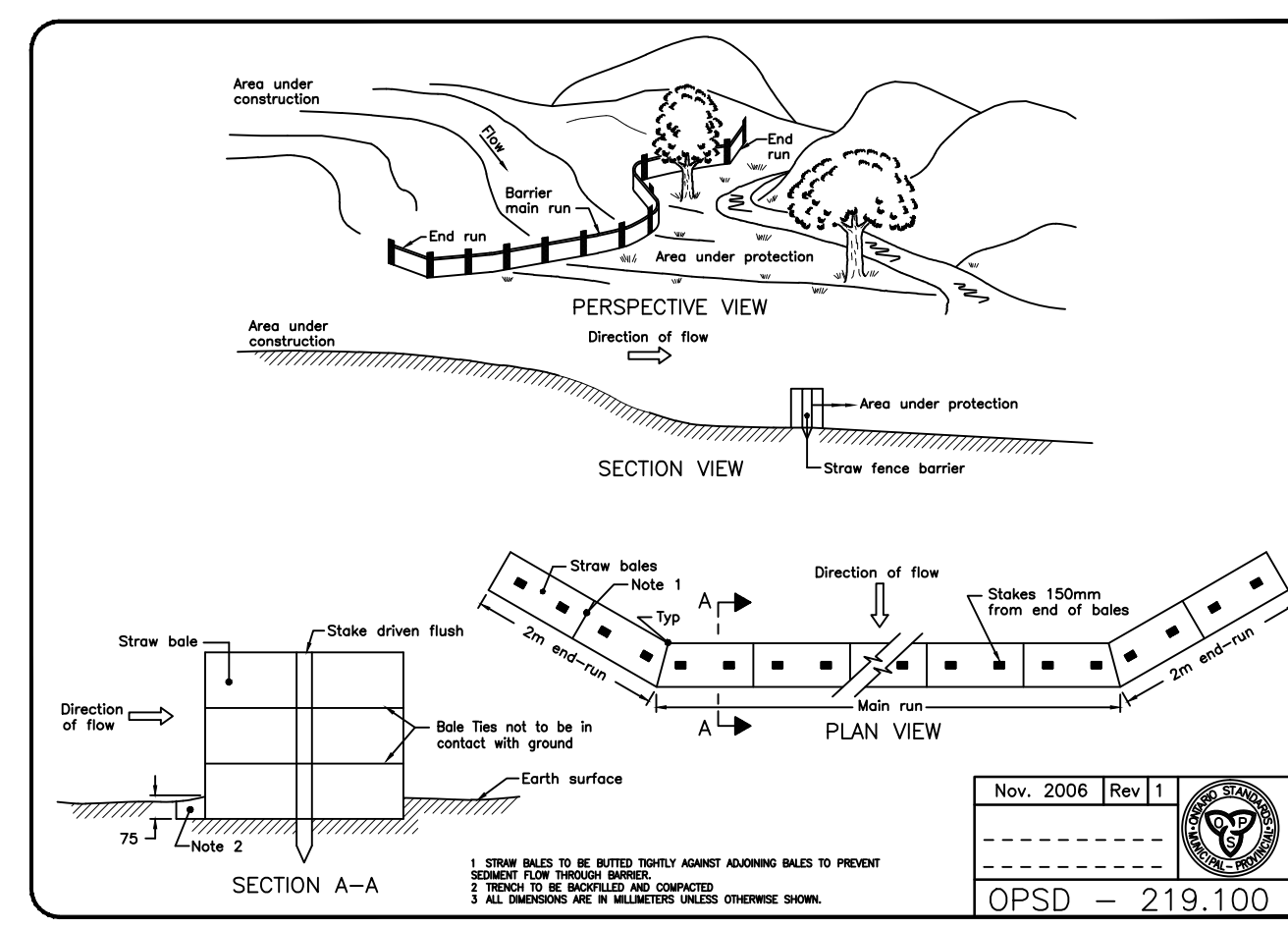
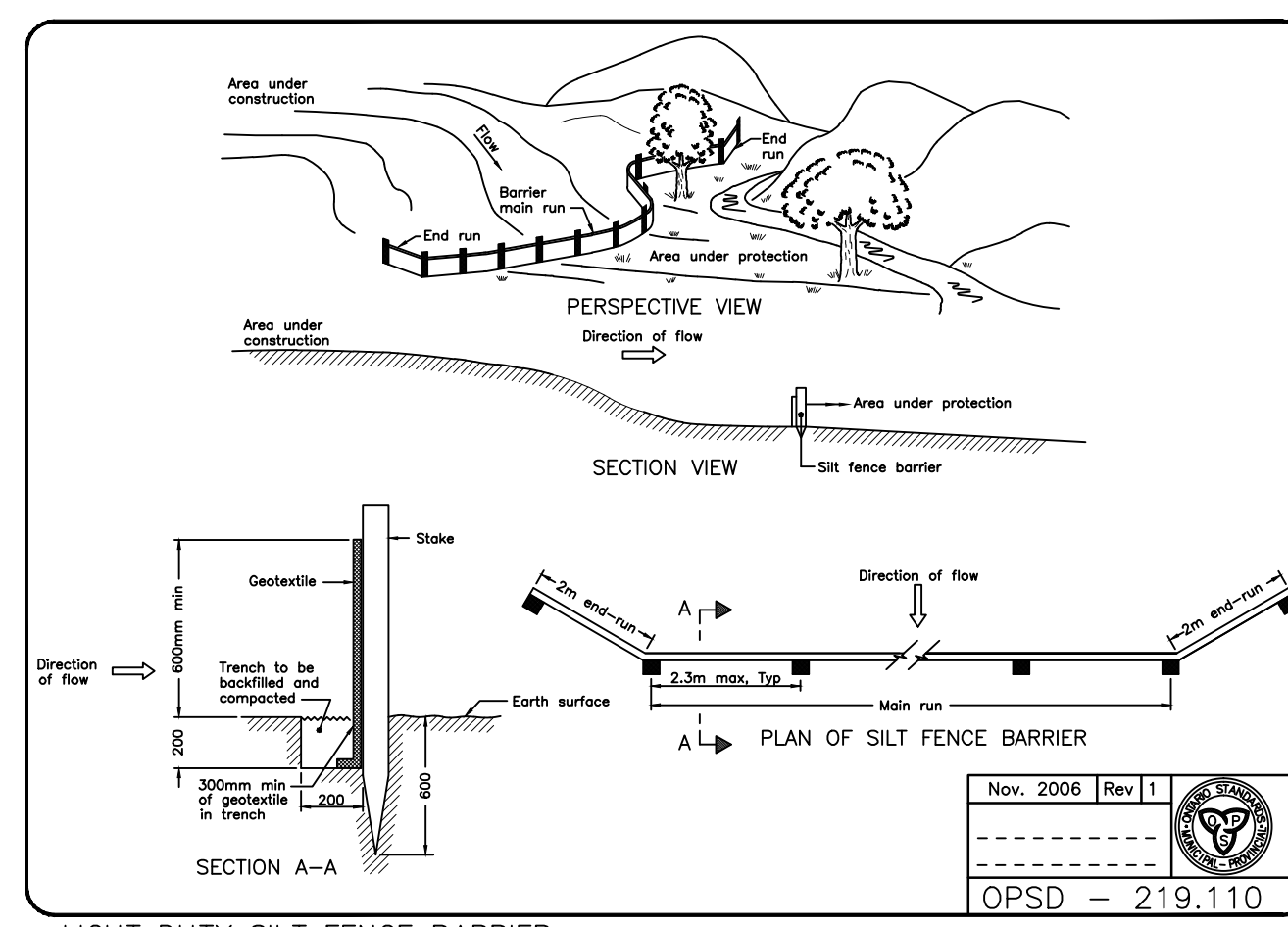
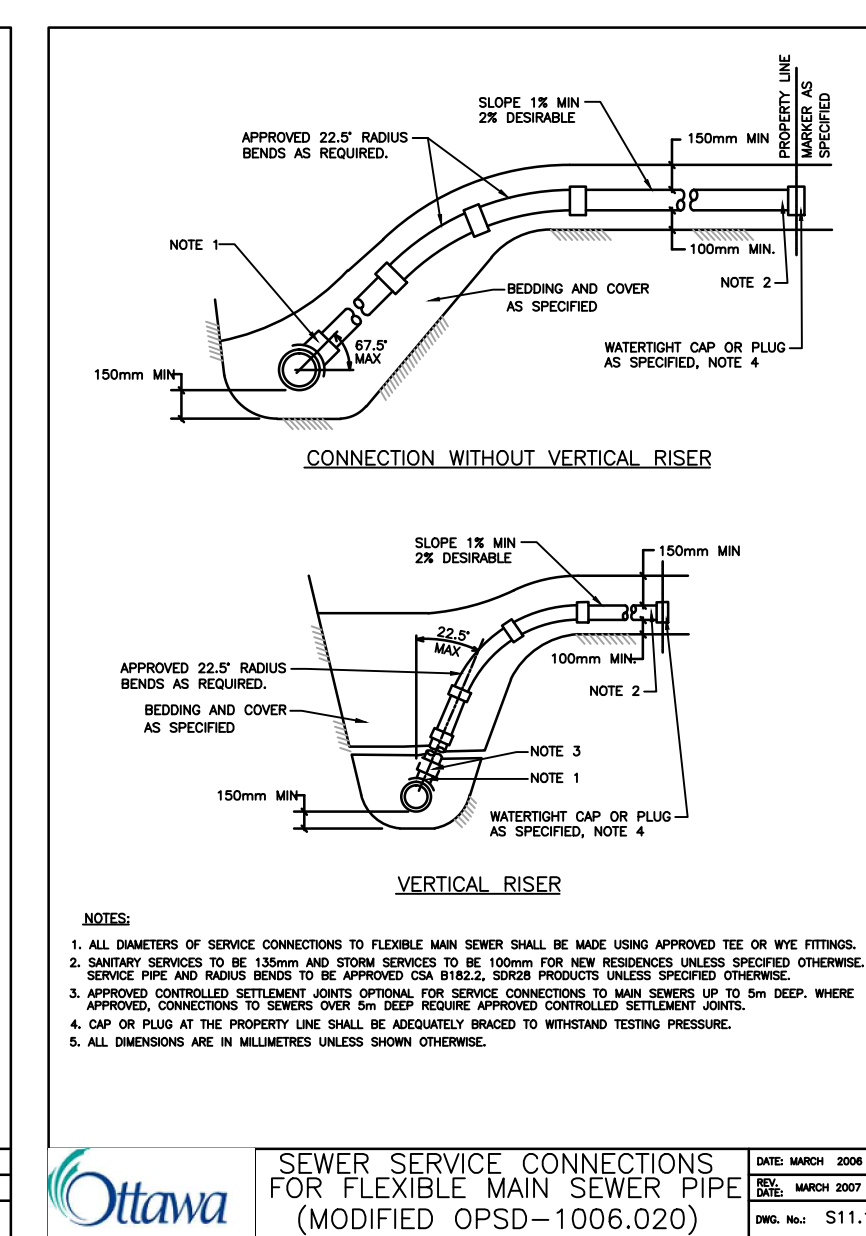
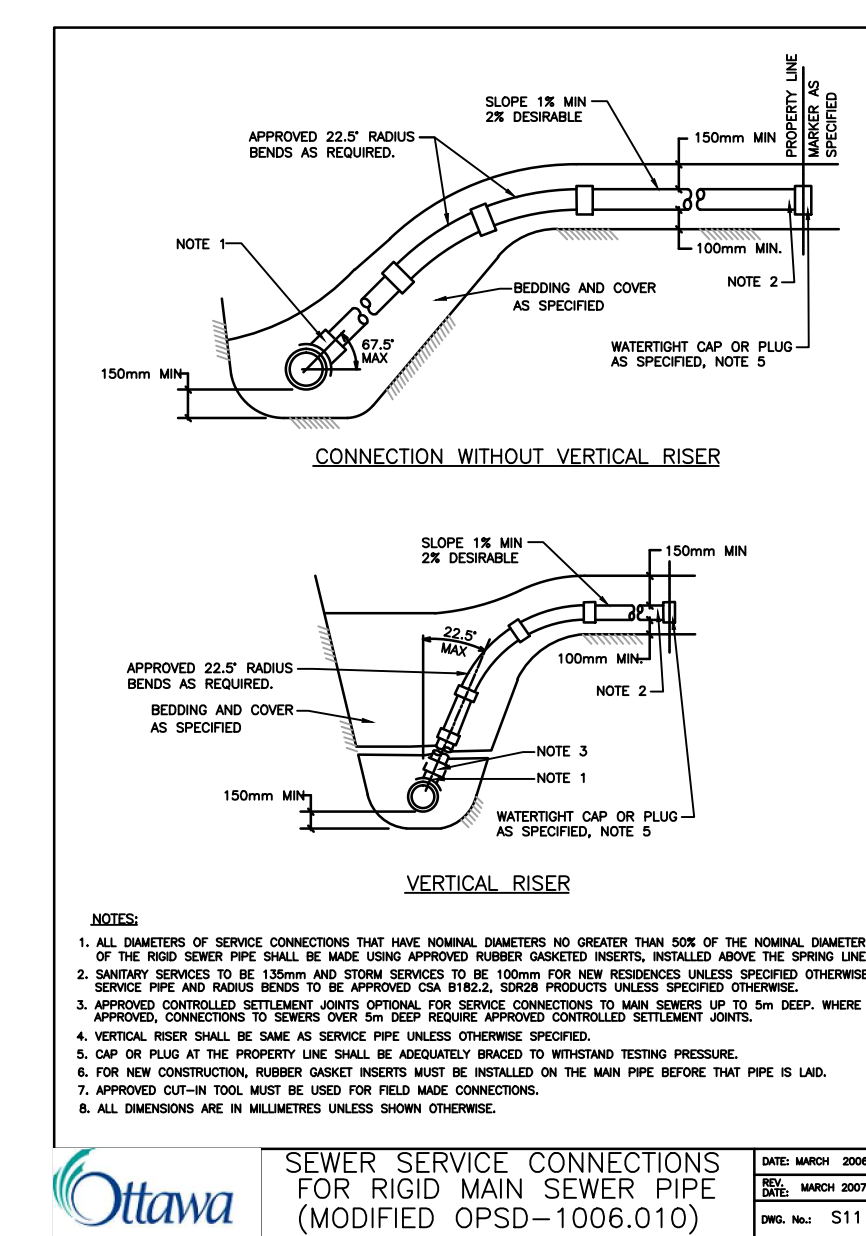
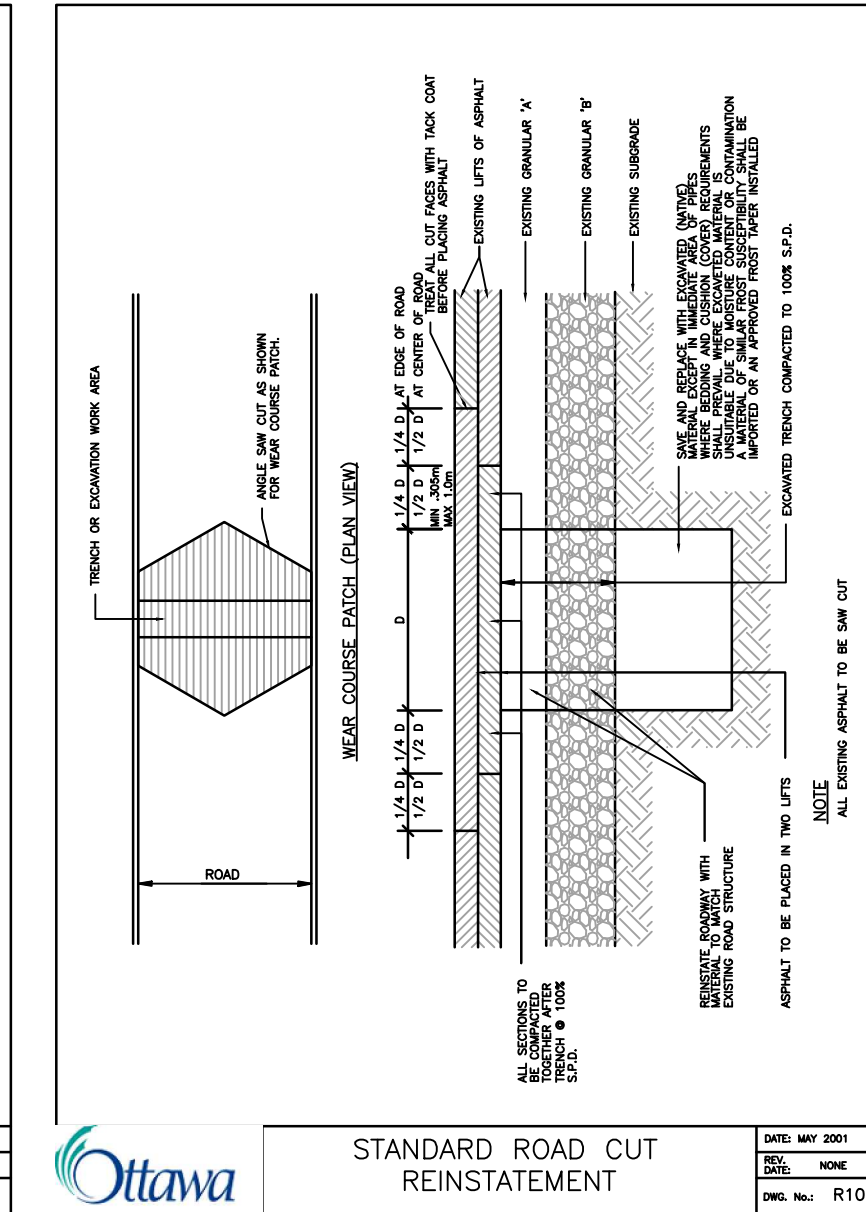
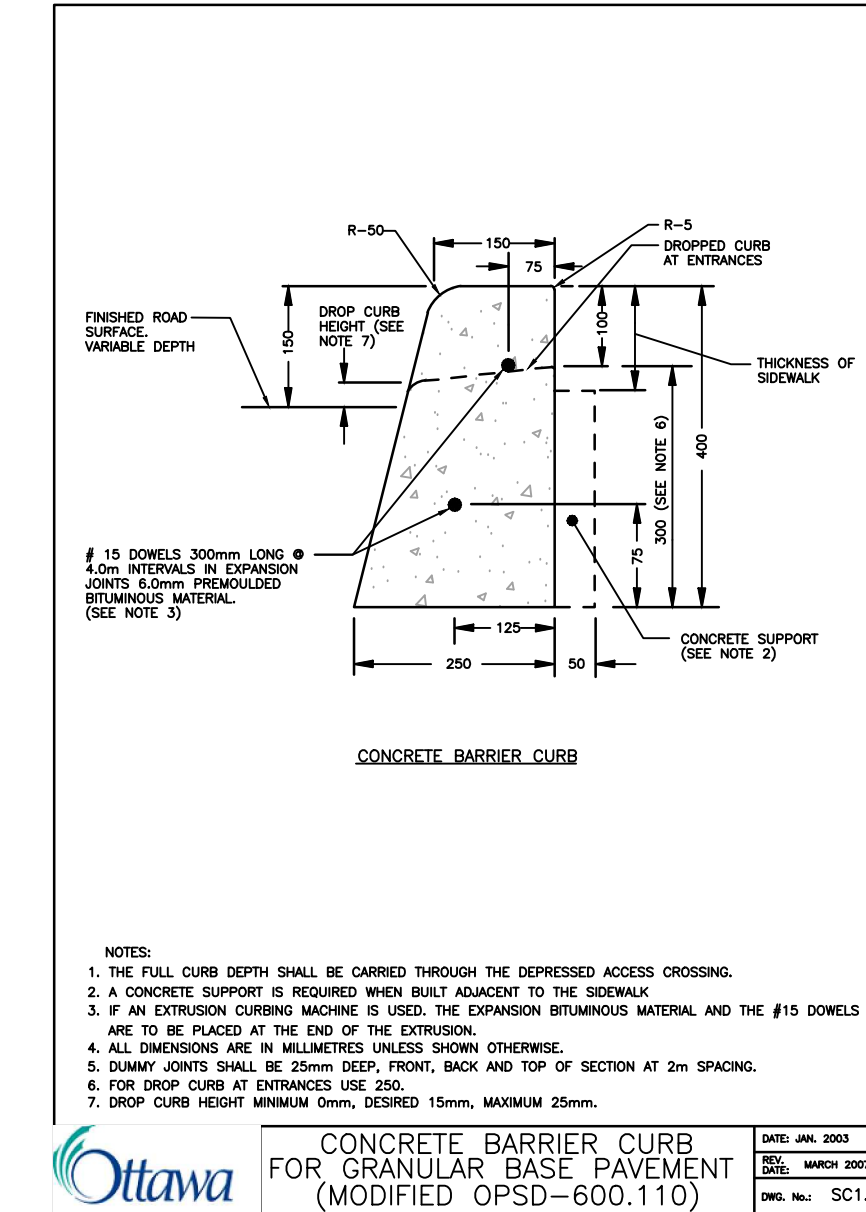


- PROPOSED SILT FENCE BOUNDARY
- PROPOSED CATCHBASIN SEDIMENT PROTECTION
- STRAW BALE SEDIMENT PROTECTION
- PROPOSED MUD MAT LOCATION

- CONTRACTOR TO PROVIDE EROSION AND SEDIMENT CONTROLS (BEST MANAGEMENT PRACTICES) DURING CONSTRUCTION OF THIS PROJECT.
- EROSION MUST BE MINIMIZED AND SEDIMENTS MUST BE REMOVED FROM CONSTRUCTION SITE RUN-OFF IN ORDER TO PROTECT DOWNSTREAM AREAS. DURING ALL CONSTRUCTION, EROSION AND SEDIMENTATION SHOULD BE CONTROLLED BY THE FOLLOWING TECHNIQUES:
- LIMIT THE EXTENT OF EXPOSED SOILS AT ANY GIVEN TIME.
 - REVEGETATE EXPOSED AREAS AND SLOPES AS SOON AS POSSIBLE.
 - MINIMIZE AREA TO BE CLEARED AND GRUBBED.
 - PROTECT EXPOSED SLOPES WITH PLASTIC OR SYNTHETIC MULCHES.
 - INSTALL FILTER CLOTH BETWEEN FRAME AND COVER ON ALL PROPOSED CATCH BASINS AND CATCH BASIN MANHOLES AND ON ALL EXISTING CATCH BASINS THAT WILL RECEIVE RUN-OFF FROM THE SITE.
 - A SILT FENCE SHALL BE INSTALLED AROUND THE PERIMETER OF ALL AND ANY STOCKPILES OF MATERIAL TO BE USED OR REMOVED FROM SITE. (LOCATION TO BE DETERMINED)
 - A VISUAL INSPECTION SHALL BE DONE DAILY ON SEDIMENT CONTROL MEASURES AND CLEANED OF ANY ACCUMULATED SILT AS REQUIRED. THE DEPOSITS WILL BE DISPOSED OFF SITE AS PER THE REQUIREMENTS OF THE CONTRACT.
 - SEDIMENT CONTROL BARRIERS MAY ONLY BE REMOVED TEMPORARILY WITH APPROVAL OF CONTRACT ADMINISTRATOR TO ACCOMMODATE CONSTRUCTION OPERATIONS. ALL AFFECTED BARRIERS MUST BE REINSTATED AT NIGHT WHEN CONSTRUCTION IS COMPLETED. NO REMOVAL WILL OCCUR IF THERE IS A SIGNIFICANT RAINFALL EVENT ANTICIPATED (>10mm) UNLESS A NEW DEVICE HAS BEEN INSTALLED TO PROTECT THE EXISTING STORM AND SANITARY SEWER SYSTEMS.
 - NO REFUELING OR CLEANING OF EQUIPMENT IS PERMITTED NEAR ANY EXISTING WATERWAY.
 - CONTRACTOR SHALL REMOVE SEDIMENT CONTROL MEASURES WHEN, IN THE OPINION OF THE CONTRACT ADMINISTRATOR, THE MEASURE(S) IS NO LONGER REQUIRED. NO CONTROL MEASURES SHALL BE PERMANENTLY REMOVED WITHOUT PRIOR WRITTEN AUTHORIZATION FROM THE CONTRACT ADMINISTRATOR.
 - THE CONTRACTOR SHALL PERIODICALLY, OR WHEN REQUESTED BY THE CONTRACT ADMINISTRATOR, CLEAN OUT ACCUMULATED SEDIMENTS AS REQUIRED.
 - THE CONTRACTOR SHALL IMMEDIATELY REPORT TO THE ENGINEER ANY ACCIDENTAL DISCHARGES OF SEDIMENT MATERIAL INTO THE WATERCOURSE. APPROPRIATE RESPONSE MEASURES, INCLUDING ANY REPAIRS TO EXISTING CONTROL MEASURES OR THE IMPLEMENTATION OF ADDITIONAL CONTROL MEASURES, SHALL BE CARRIED OUT BY THE CONTRACTOR WITHOUT DELAY.



MINIMUM REQUIREMENT LIGHT DUTY SILT FENCE AND STRAW BALE BARRIER PLACEMENT



V:\01_460A\civ\16400817_kanata_smarComer\Design\Drawings\16400817C-EC-CC-CC-FF1_LUBE.dwg
2014/02/18 4:12 PM BY: SPDS: MBE

1	ISSUED TO CITY FOR SPA	MJS	PM	14.02.18	
Revision		By	Appd.	YY.MM.DD	
File Name:	16400817C EC DS-JIFFY LUBE	MJS	PM	14.02.12	
		Dwn.	Chkd.	Dgn.	YY.MM.DD

Permit-Seal

Client/Project

KANATA SOUTH
COMMERCIAL DEVELOPMENT

FERNBANK & TERRY FOX
JIFFY LUBE

Ottawa, ON, Canada

Title

EROSION CONTROL PLAN AND
DETAIL SHEET

Project No.	Scale
16400838	AS SHOWN
Drawing No.	Sheet
	Revision