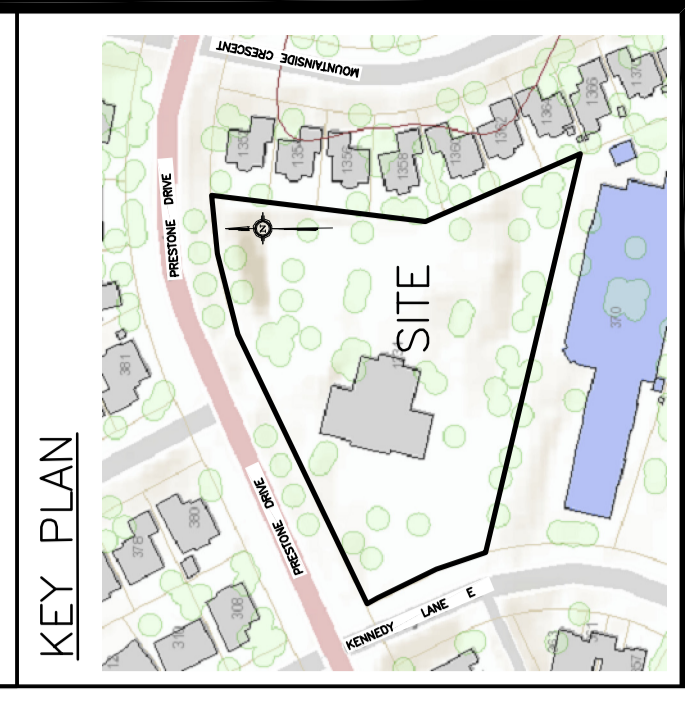


DRAWING LEGEND

CB	CATCH BASIN
MH	MANHOLE
CB/MH	CATCH BASIN/MANHOLE
WS / W	WATER SERVICE / WATERMAIN
SS	SANITARY SEWER
ST	STORM SEWER
CS	CURB STOP
V	VALVE & VALVE BOX
FH	FIRE HYDRANT
W	WATER METER
UPO	REMOTE WATER METER READOUT
UPO	UTILITY POLE
+	EXISTING GRADE ELEVATION
+	PROPOSED GRADE ELEVATION
+	NEW LIGHT DUTY PAVEMENT
+	NEW HEAVY DUTY PAVEMENT
+	PULVERIZE ASPHALT, RE-GRADE & PAVE WITH 50mm ASPHALT
+	PULVERIZE ASPHALT, RE-GRADE & PAVE WITH 80mm ASPHALT
0.5%	SLOPE OF GRADE
→	SWALE/DITCH (CENTERLINE)
→	EMERGENCY OVER LAND FLOW
→	SILT FENCE BARRIER
→	PROPERTY LINE
FFL	FIRST FLOOR ELEVATION
USF	UNDERSIDE OF FOOTING ELEVATION



No.	Date	REVISION
3	FEB 14-14	RE-ISSUED FOR APPROVAL
2	NOV 13-13	ISSUED FOR APPROVAL
1	NOV 5-13	ISSUED FOR CLIENT REVIEW & COORDINATION

D. B. GRAY ENGINEERING INC.
 Surveying Management Consulting & Planning / Storm & Sanitary Sewers / Stormwater
 700 Long Point Circle
 Ottawa, Ontario, K1T 4E9
 Tel: 613-425-8044
 dgray@ingers.com

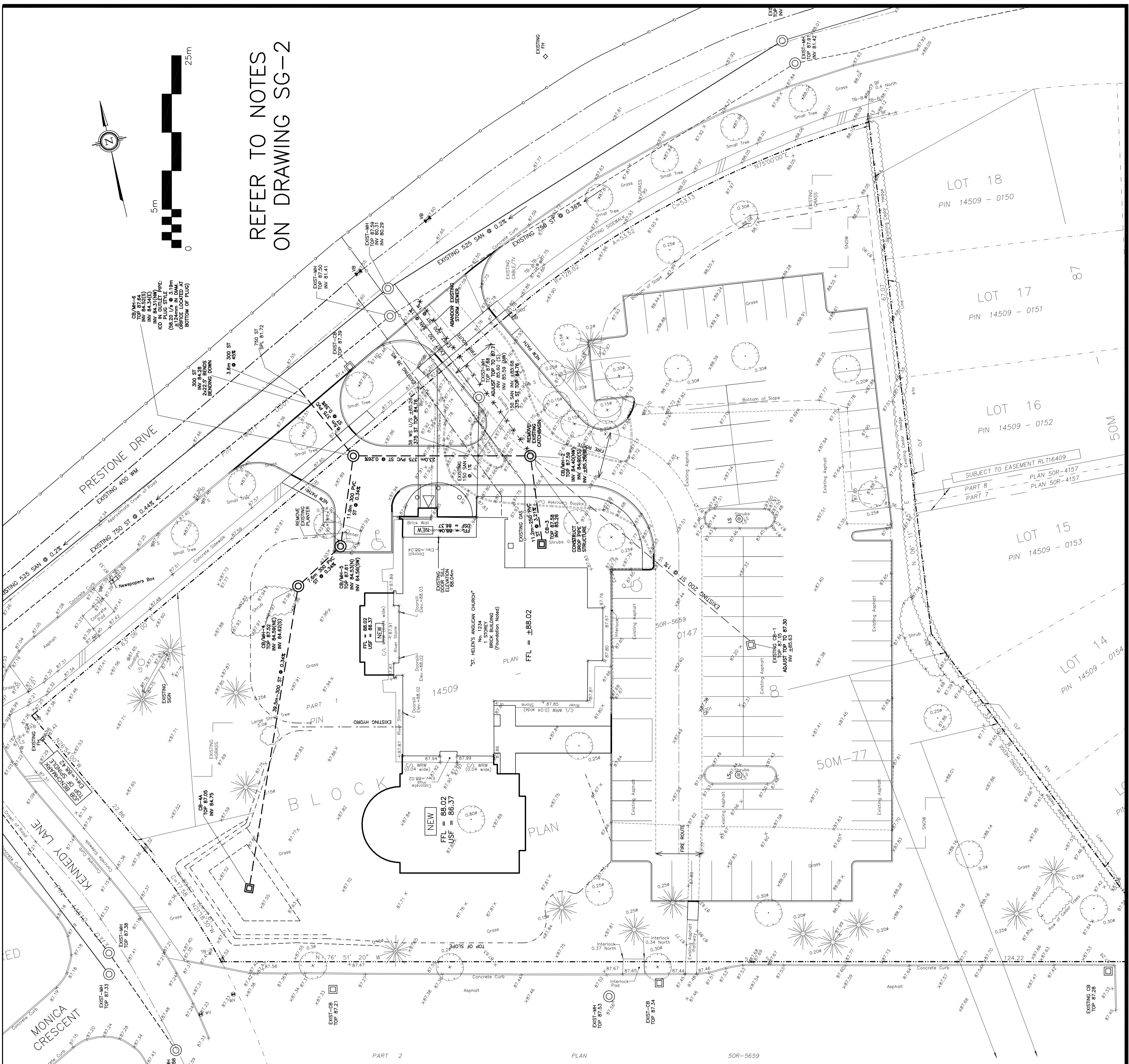
PROPOSED CHURCH ADDITIONS
 1234 PRESTONE DRIVE
 OTTAWA, ONTARIO

SITE SERVING & NOTES

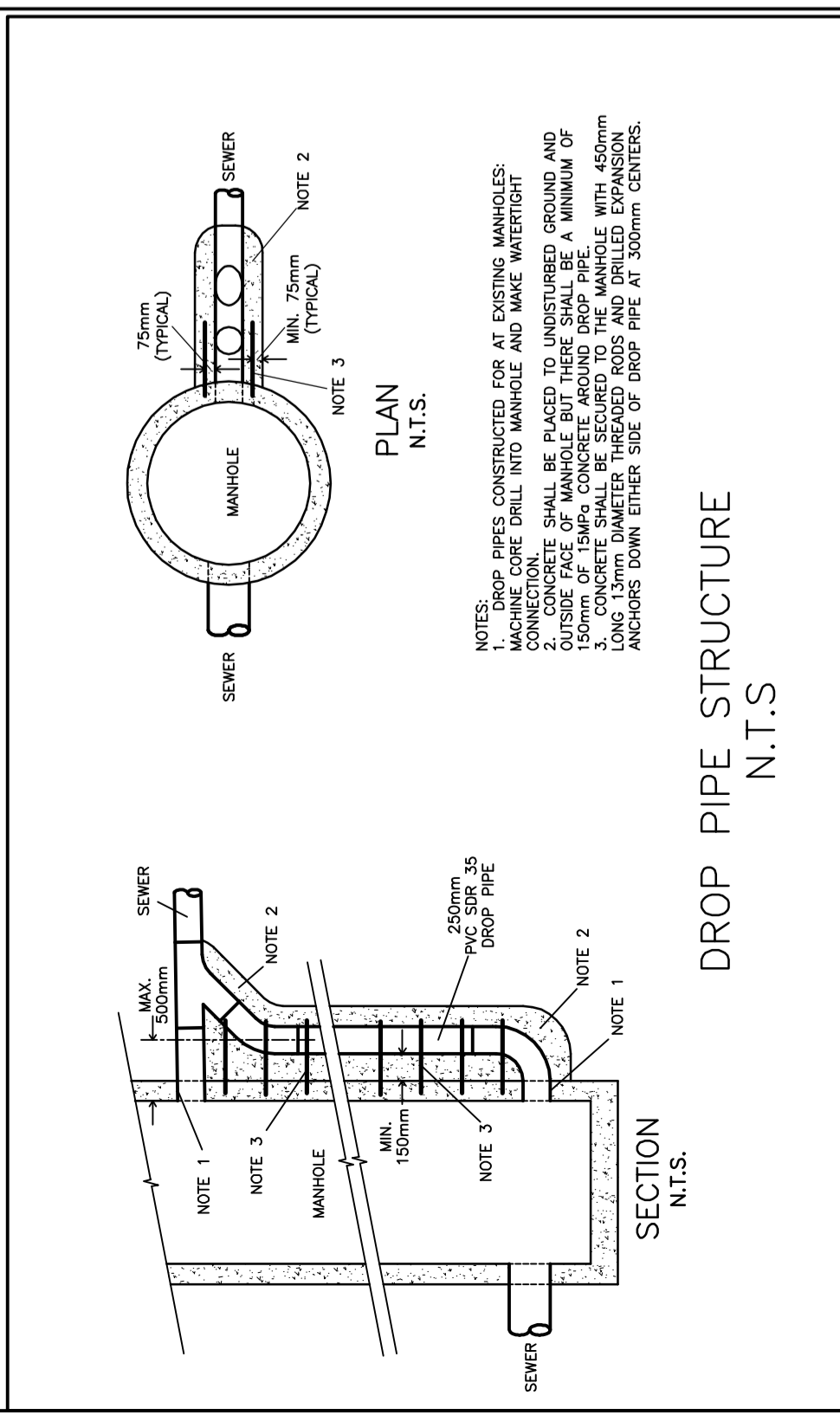
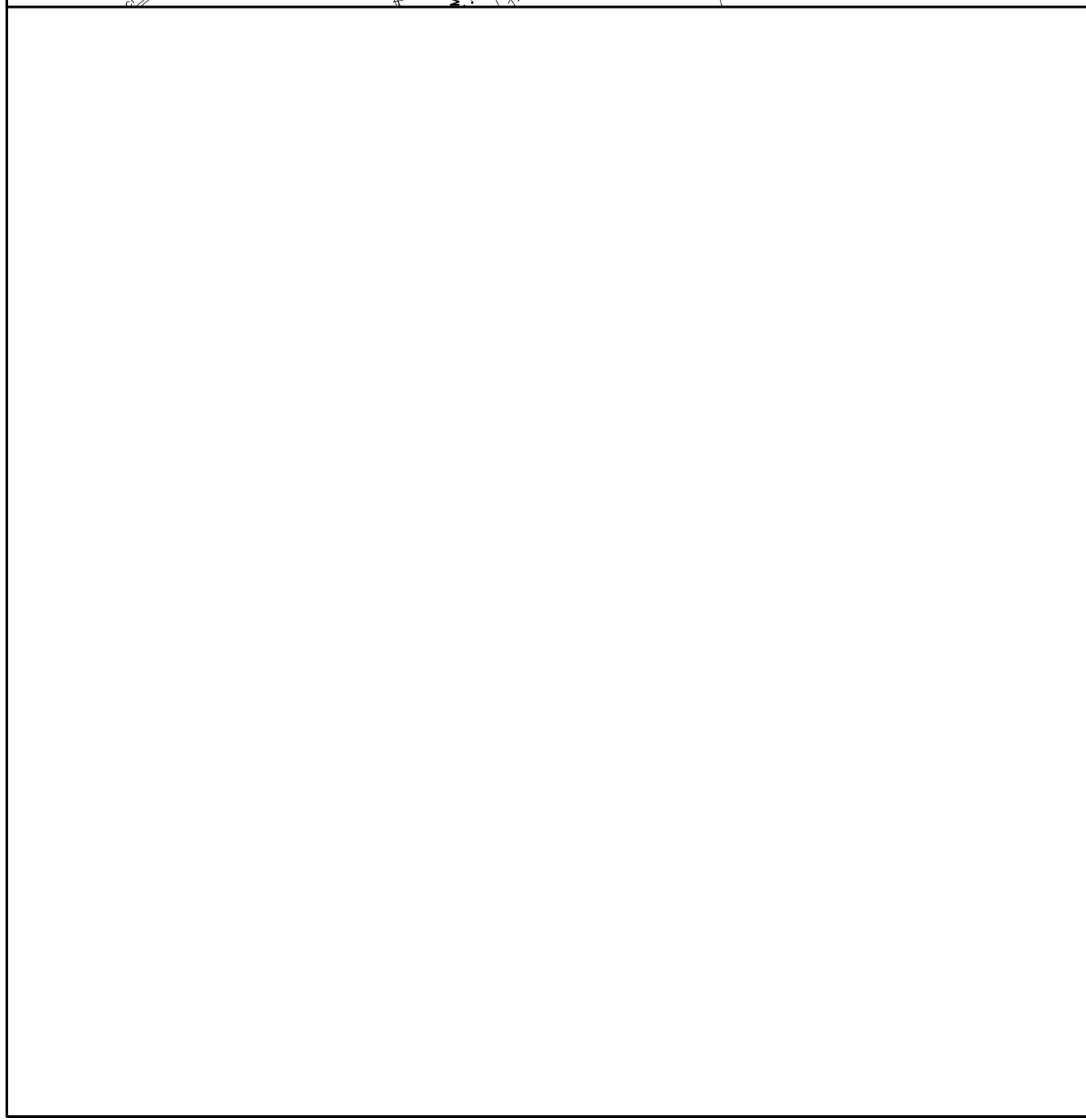
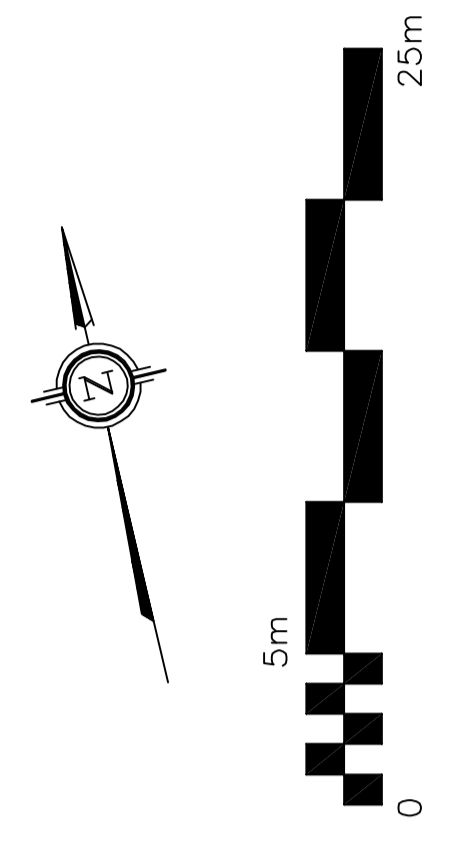
Drawn: D.B.G.
 Vert. Scale: 1:250
 Date: NOV 5-13
 Job: 130336
 Drawing No. **SG-1** of 2

Engineer's Seal: **D.B. GRAY** (Professional Engineer, License No. 17016502, Exp. Feb 14-17)

NOT VALID UNLESS SIGNED & DATED



REFER TO NOTES ON DRAWING SG-2



INSULATION OF SEWERS IN SHALLOW TRENCHES
 N.T.S.

DEPTH OF COVER (depth of cover)	MINIMUM INSULATION THICKNESS	MINIMUM WIDTH OF INSULATION	MINIMUM WIDTH OF BACKFILL
1400 to 2000mm	100mm	1000mm	1000mm
1100 to 1400mm	75mm	1000mm	1000mm
LESS THAN 1100mm	100mm	1000mm	1000mm

INSULATE SEWER AS INDICATED AND WHERE DEPTH OF COVER IS LESS THAN 2000mm.

CATCHBASIN & MANHOLE SCHEDULE

REF	TOP	SIZE	TYPE	INVERT AT INLET	INVERT AT OUTLET	NOTES
STORM SEWER						
CB/MH-2	87.59	1200mm	PRE-CAST CONCRETE CATCH BASIN/MANHOLE	84.90(S) ±85.26(SE)	84.40(NW)	TO OPSD 701.010 & CITY OF OTTAWA STANDARDS
CB-3	87.58	600 x 600mm	PRE-CAST CONCRETE CATCH BASIN	-	85.26	TO OPSD 705.010 & CITY OF OTTAWA STANDARDS
CB-4A	87.05	600 x 600mm	PRE-CAST CONCRETE CATCH BASIN	-	84.75	TO OPSD 705.010 & CITY OF OTTAWA STANDARDS
CB/MH-4	87.52	1200mm	PRE-CAST CONCRETE CATCH BASIN/MANHOLE	84.62(S)	84.59(NE)	TO OPSD 701.010 & CITY OF OTTAWA STANDARDS
CB/MH-5	87.61	1200mm	PRE-CAST CONCRETE CATCH BASIN/MANHOLE	84.56(SW)	84.53(N)	TO OPSD 701.010 & CITY OF OTTAWA STANDARDS
CB/MH-6	87.64	1200mm	PRE-CAST CONCRETE CATCH BASIN/MANHOLE	84.34(E)	84.31(NW)	TO OPSD 701.010 & CITY OF OTTAWA STANDARDS