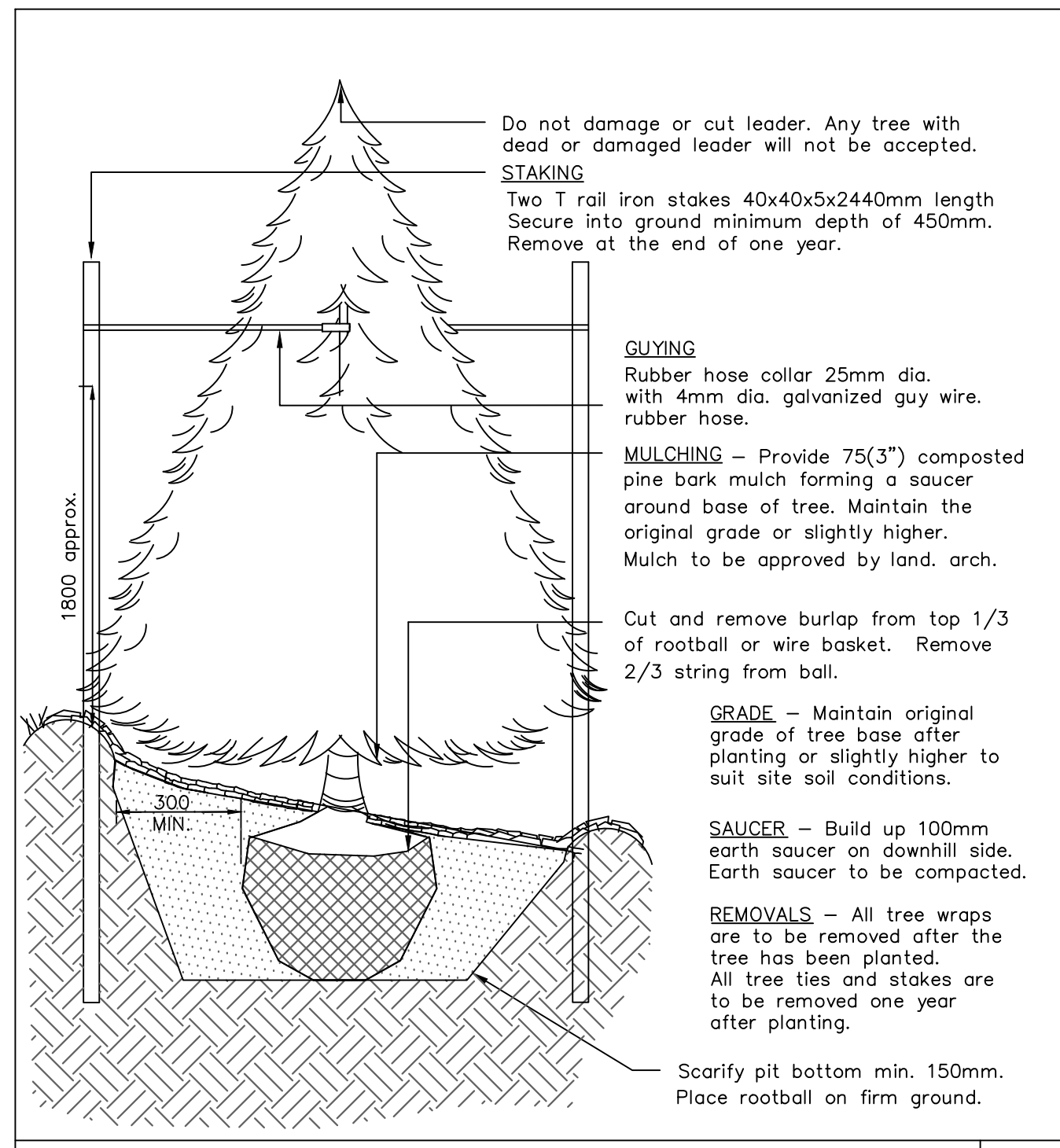
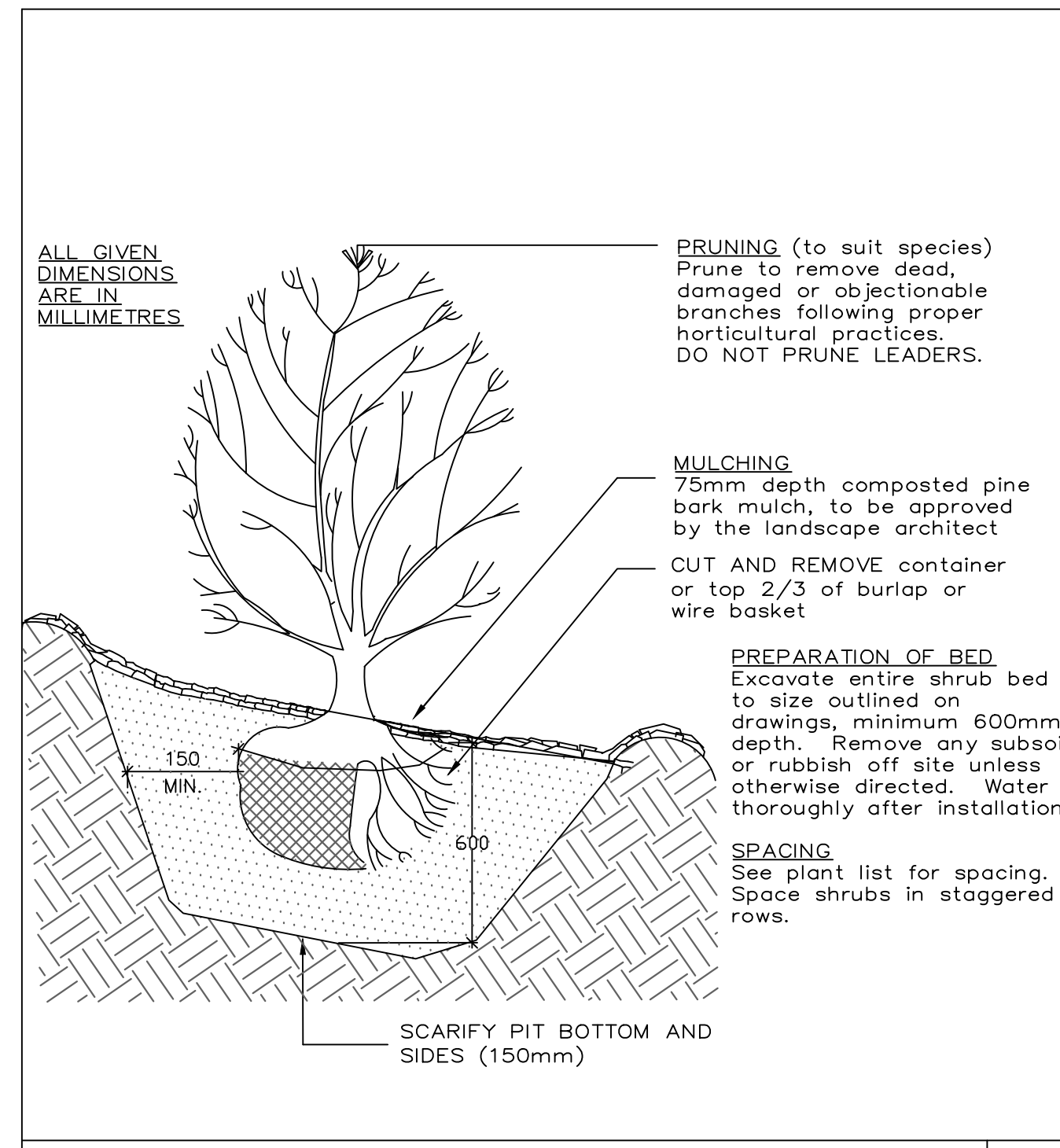


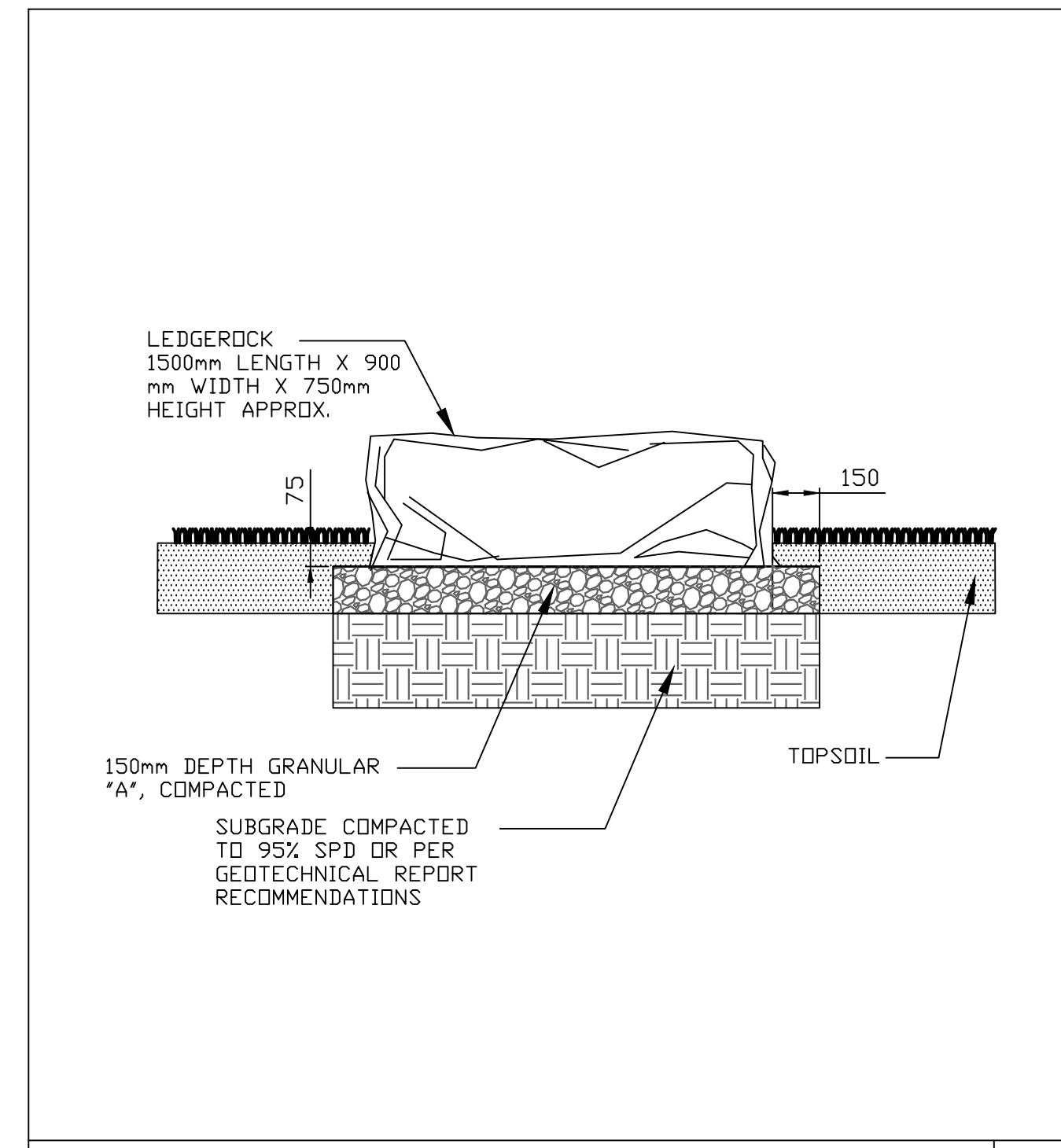
STANDARD DECIDUOUS TREE PLANTING DETAIL D1



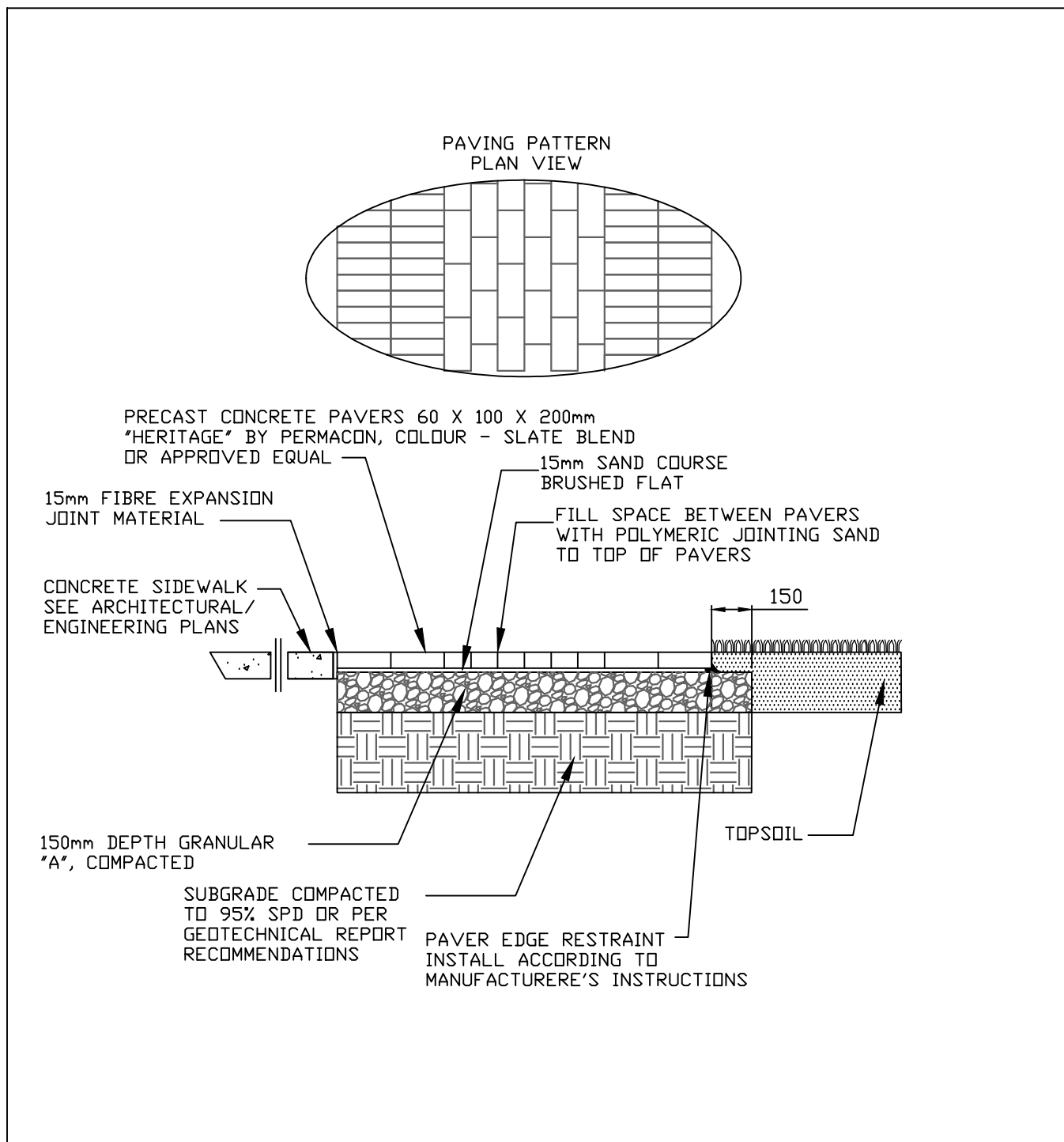
STANDARD CONIFEROUS TREE DETAIL D2



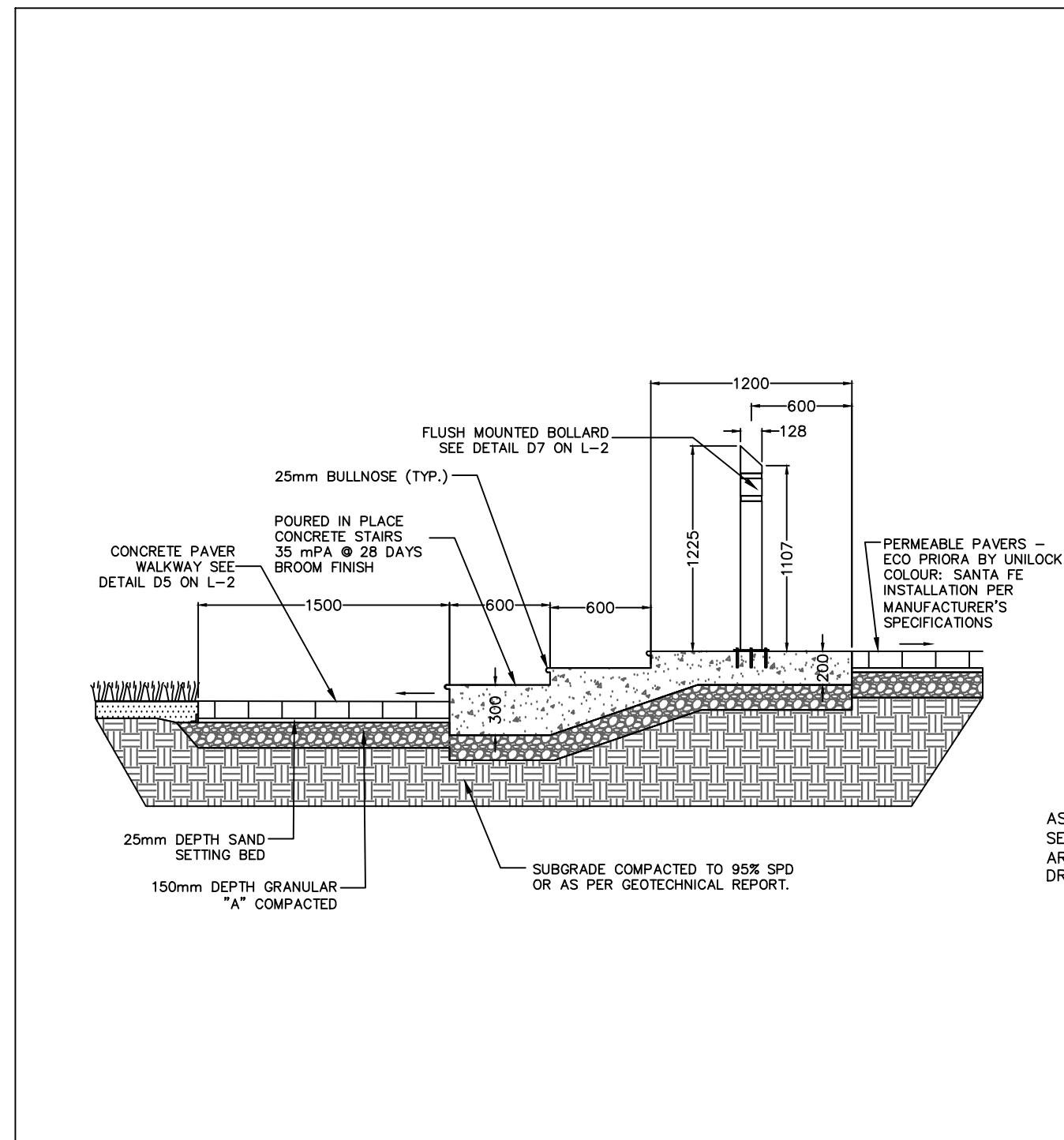
DECIDUOUS AND CONIFEROUS SHRUB PLANTING DETAIL D3



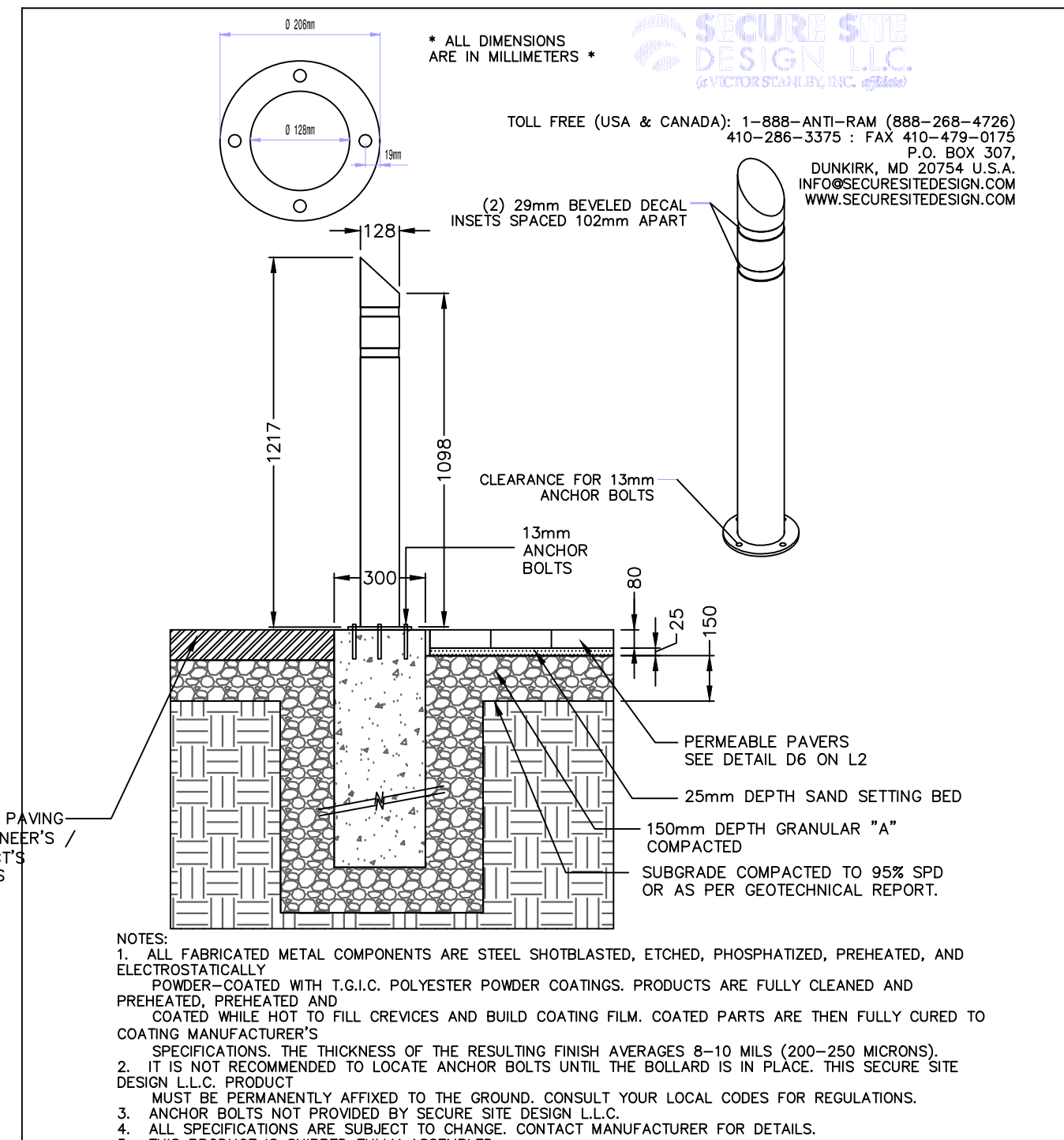
LEDGER ROCK D4



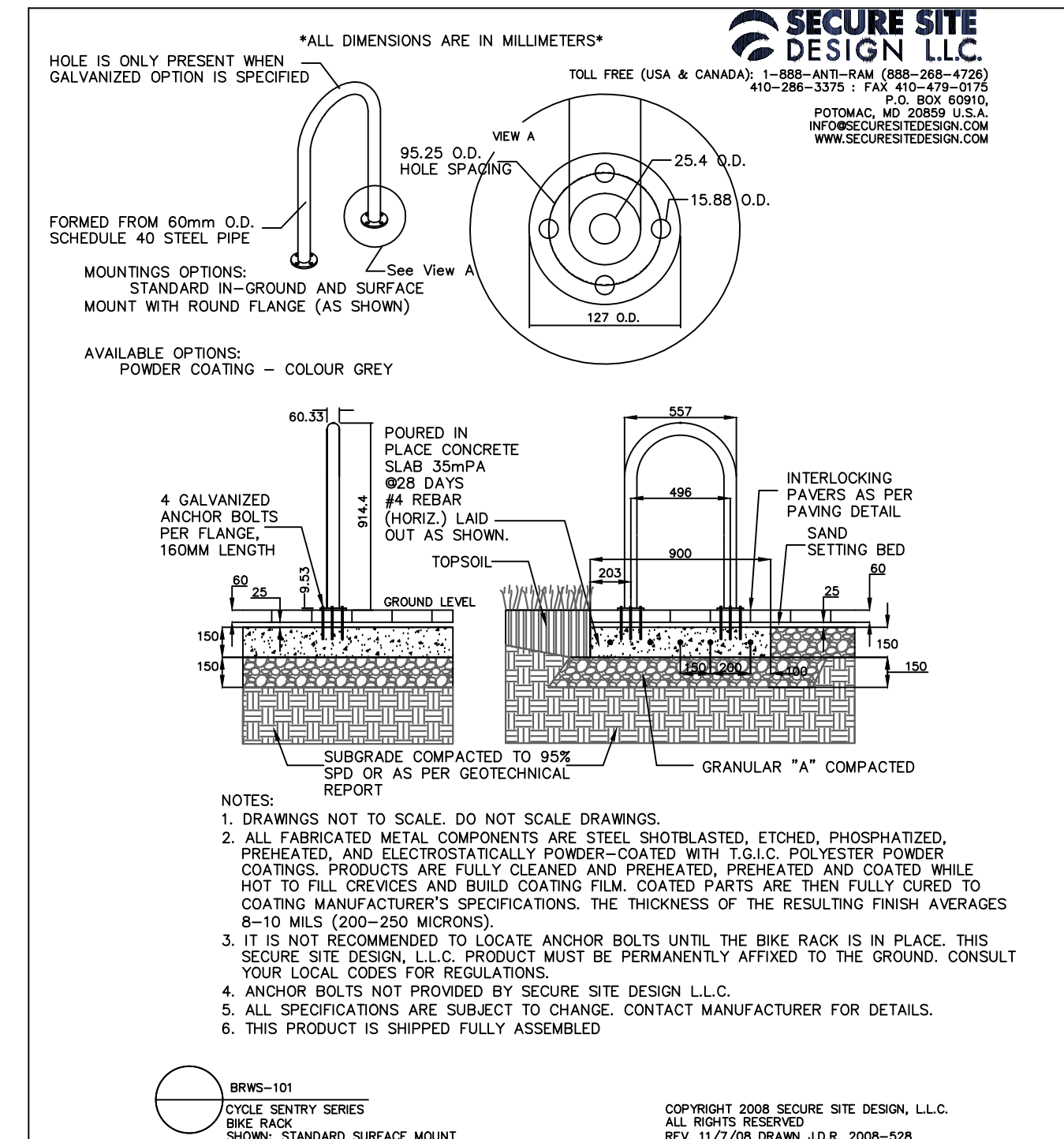
CONCRETE PAVER WALKWAY D5



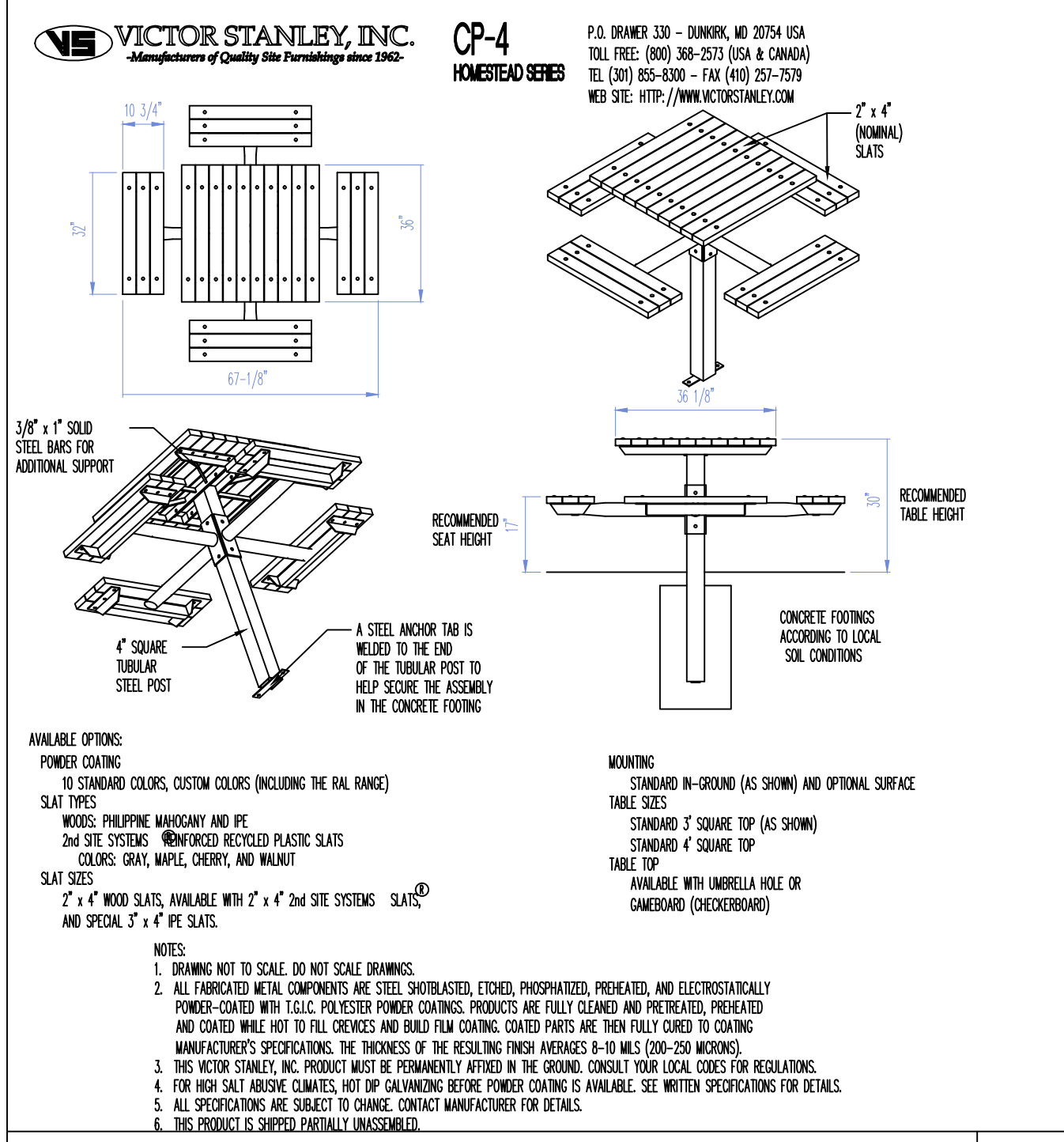
ENTRY FEATURE LANDSCAPING D6



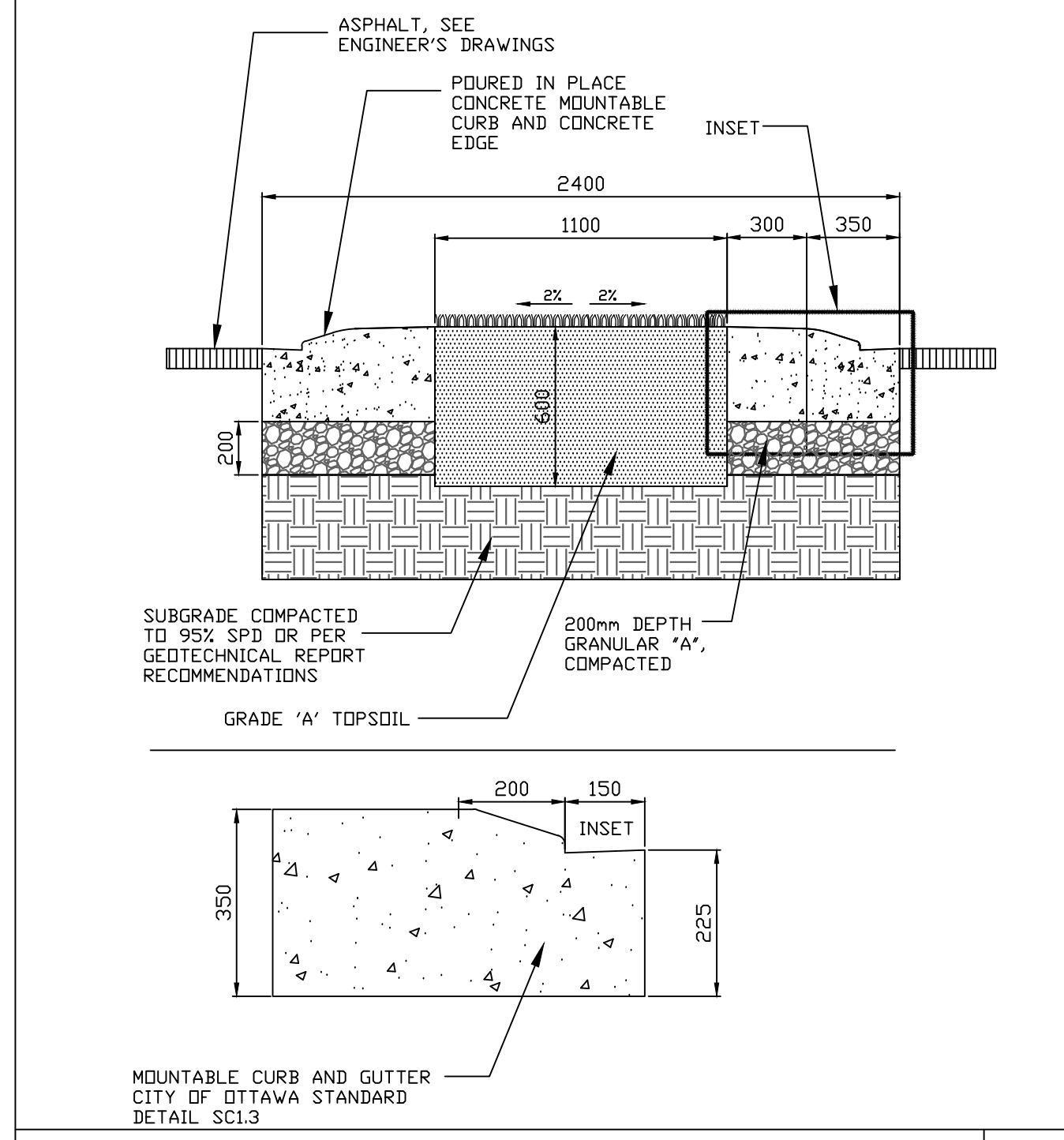
STAINLESS STEEL BOLLARD D7



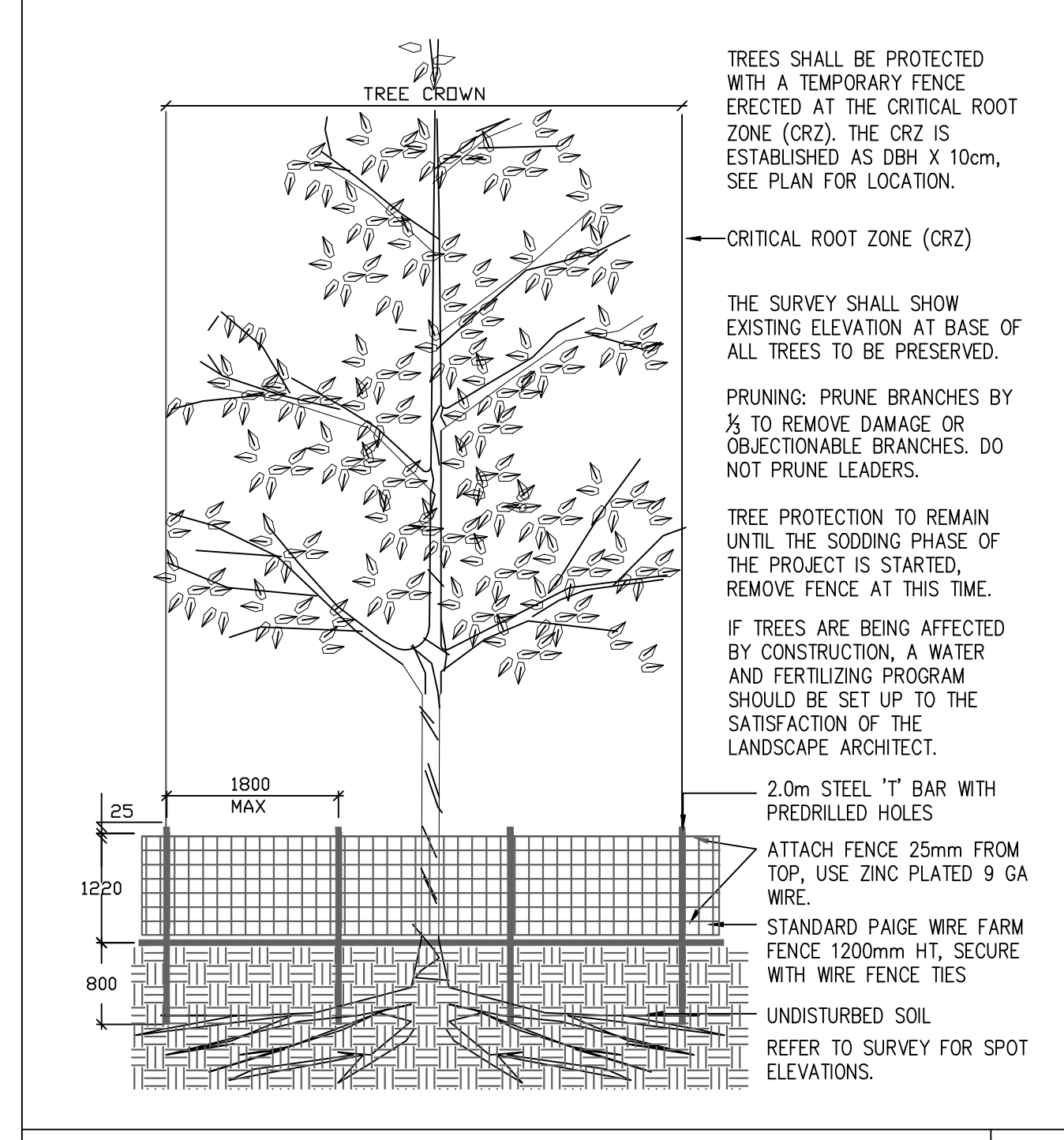
BICYCLE RACK D8



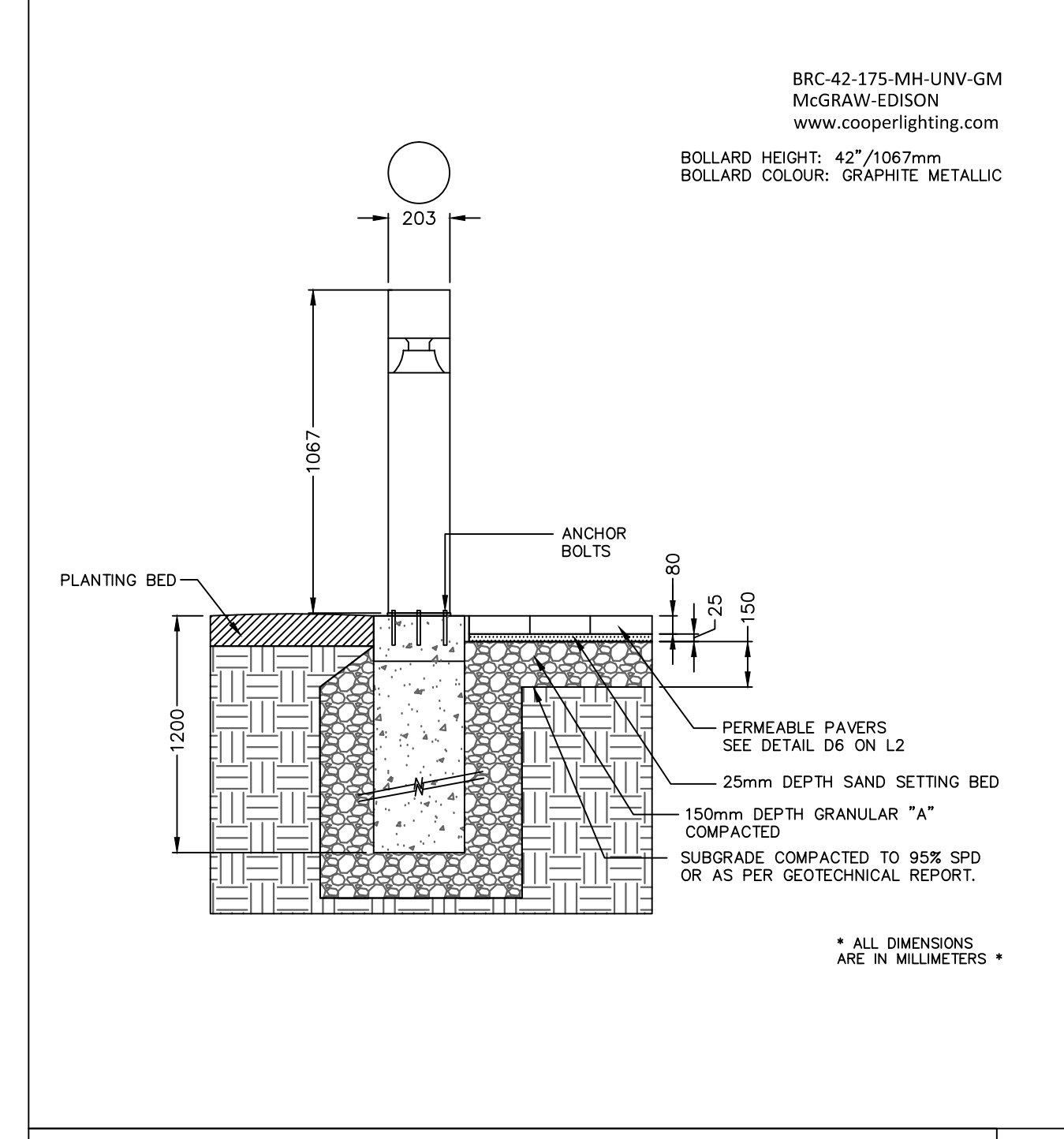
ROUND TABLE WITH BENCHES D9



LANDSCAPE ISLAND WITH MOUNTABLE CURB D10



STANDARD TREE PRESERVATION DETAIL D11



BOLLARD LIGHT D12

NOTE:
THE POSITION OF ALL POLE LINES, CONDUITS, WATERMANS, SEWERS AND OTHER UNDERGROUND AND OVERGROUND UTILITIES AND STRUCTURES IS NOT NECESSARILY SHOWN ON THE CONTRACT DRAWINGS, AND WHERE SHOWN, THE ACCURACY OF THE POSITION OF SUCH UTILITIES AND STRUCTURES IS NOT GUARANTEED. BEFORE STARTING WORK, DETERMINE THE EXACT LOCATION OF ALL SUCH UTILITIES AND STRUCTURES AND ASSUME ALL LIABILITY FOR DAMAGE TO THEM.

NOT FOR CONSTRUCTION

No.	REVISION	DATE	BY
4.	SITE PLAN APPROVAL FOURTH SUBMISSION	JUNE 4/14	RGJ
3.	SITE PLAN APPROVAL THIRD SUBMISSION	MAY 09/14	ML
2.	SITE PLAN APPROVAL SECOND SUBMISSION	FEB 28/14	JF
1.	ISSUED FOR SITE PLAN APPLICATION	NOV 5/13	JF

SCALE	REVISION	FOR REVIEW ONLY
NTS	CHECKED	JF
	DRAWN	RGJ
	CHECKED	ML
	APPROVED	RGJ
	APPROVED	MS
	APPROVED	MS

NOVATECH ENGINEERING CONSULTANTS LTD.
240, 240, 240 Michel-Coulombe Drive
Ottawa, Ontario, Canada
K2M 1P6
Telephone: (613) 254-9643
Facsimile: (613) 254-5867
Email: novatech@novatech-eng.com

LOCATION
955 DAIRY DRIVE, CITY OF OTTAWA
VW ORLEANS / TRIMTERRA DEVELOPMENTS

DRAWING NAME
LANDSCAPE DETAILS

PROJECT No.
113071-00

REV #02

DRAWING No.
113071-L2