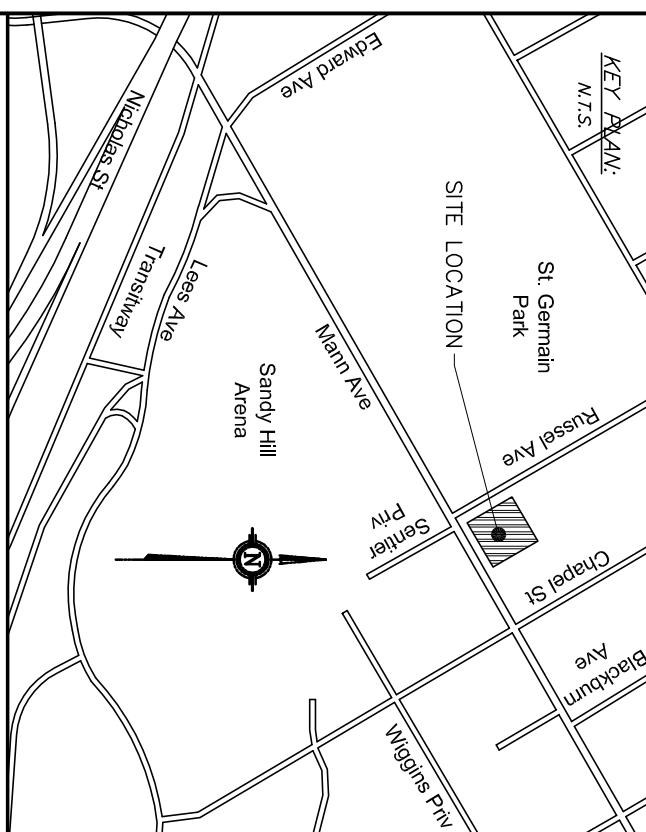


SITE SERVICING PLAN



GENERAL PROJECT NOTES:

- All dimensions are in metres; all elevations are in metres and are geodetic and are referred to Topographical Plan of Lots 13, 14 and 15 of Register Plan 32846, as prepared by Hines, Sullivan, Voltsch, Ltd. This is not a legal survey.
- TM = spike in utility pole. Elevation = 67.59 metres (geodetic).
- Contractor is responsible for location and protection of utilities.
- Contractor to verify that appropriate permits have been acquired prior to any construction.
- All dimensions to be verified on site by contractor.
- The proposed grade around the proposed building are shown on Grade Control & Drainage drawings.
- Finished grade to slope away from proposed and existing buildings at a minimum of 2%. Grade elevations are as indicated.
- Zone = 24, according to City of Ottawa Zoning By-law 2012-01-001, as amended.
- Insulation specifications for watermain, pipe bedding, reinstatement of disturbed areas and leakage testing.
- Any proposed works to this plan must be verified and approved by Kollard Associates Inc. This drawing is part of Kollard Associates design report # 130375.
- All materials and construction to be in accordance with the Ontario Building Code and Ontario Provincial Standards and Specifications, provide minimum 2.4 metres of cover for water services, cathodic protection, City of Ottawa insulation specifications for watermain, pipe bedding, reinstatement of disturbed areas and leakage testing.
- Any proposed works to this plan must be verified and approved by Kollard Associates Inc. This drawing is part of Kollard Associates design report # 130375.

NO.	REVISION	DATE	BY
0	FOR SUBMISSION	7/AUG/2013	WJ
	REVISION		



Kollard Associates
Engineers

P.O. BOX 189 210 PRESCOTT ST. (613) 860-0923
KEENWILVILLE, ONTARIO
R0G 1J0 PAK (613) 258-0475
http://www.kollard.ca

CLIENT NAME
2367352 ONTARIO LTD.

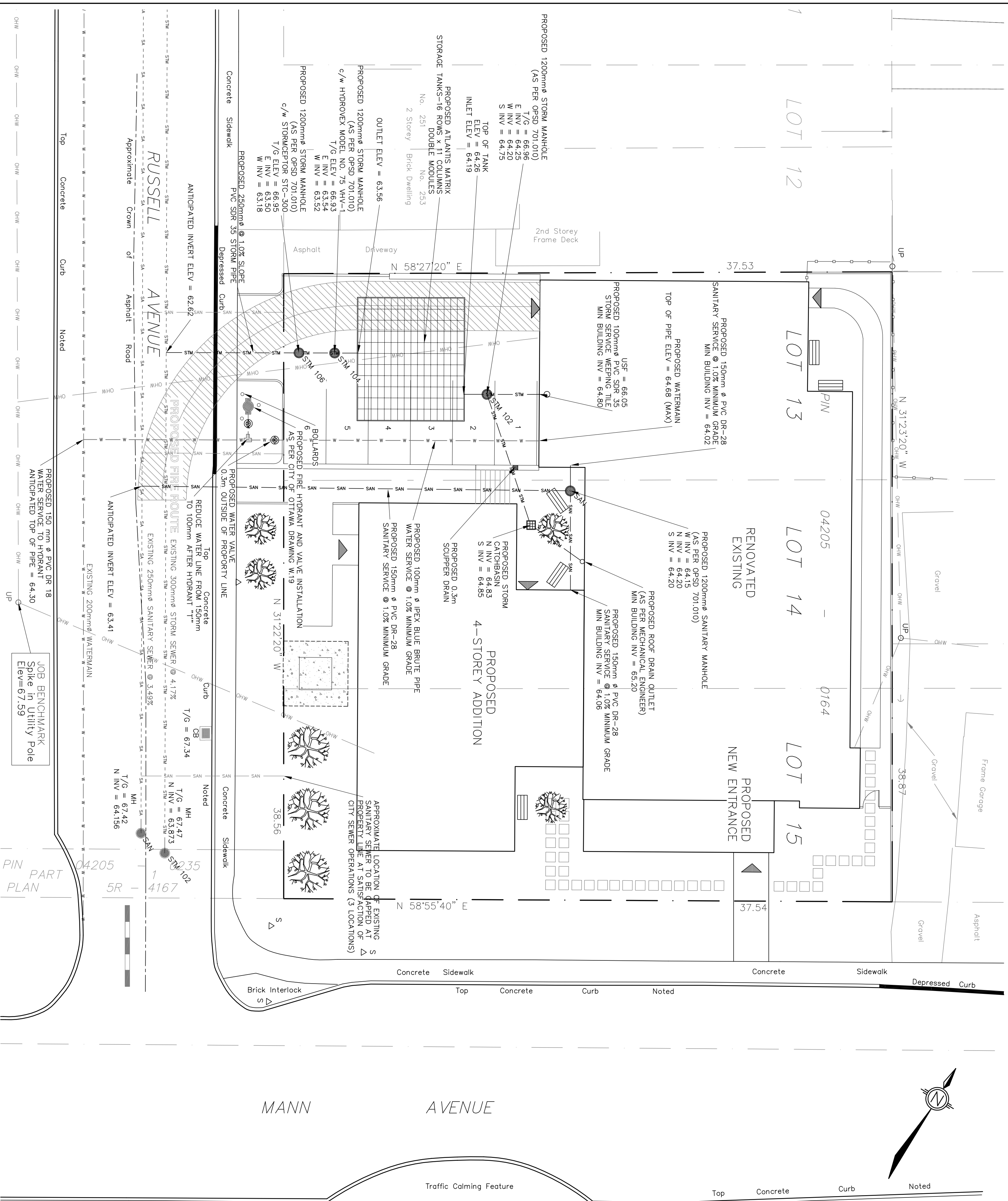
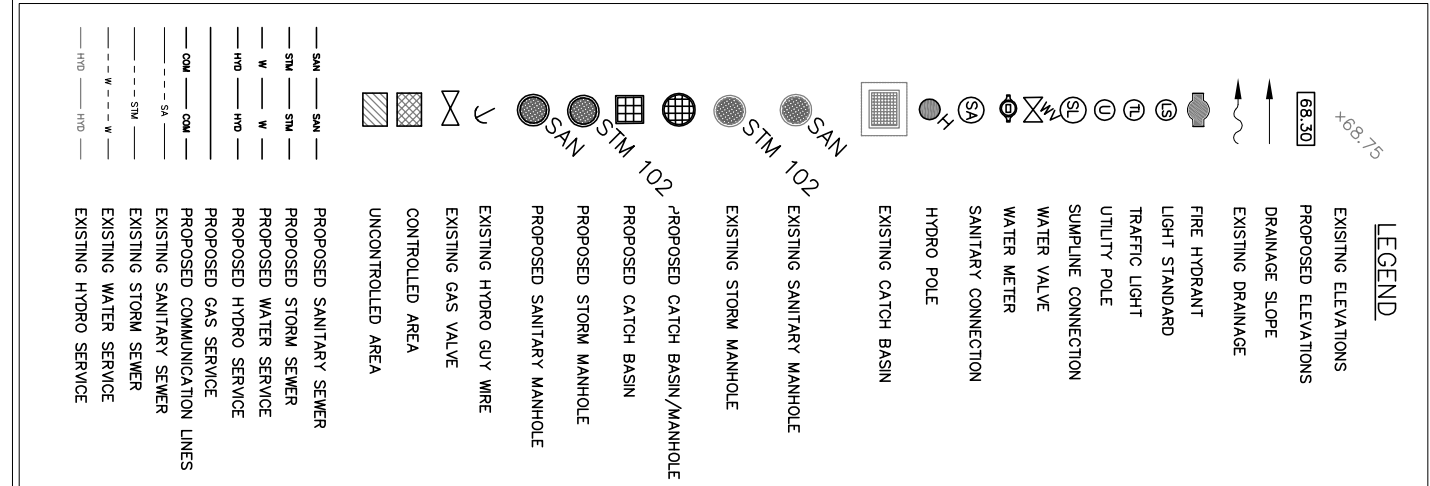
PROJECT NAME
87 MANN AVE.—BUILDING CONVERSION

PROJECT LOCATION
LOTS 13, 14, 15
R—PLAN 32846
CITY OF OTTAWA, ONTARIO

DESIGNED BY	WJ	CHECKED BY	SD
DRAWN BY	WJ	APPROVED BY	
DATE	7/AUG/2013		
SCALE	AS SHOWN		
PROJECT NO.	130375		
SHEET SET	2 OF 2		

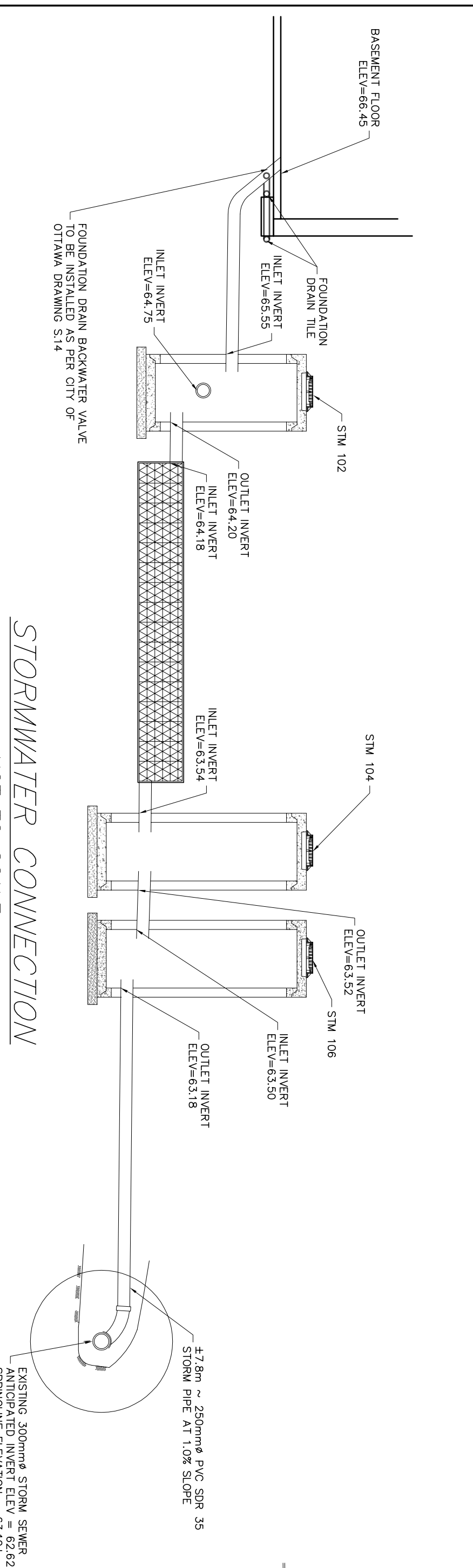
NOTE:

AS PREVIOUSLY DISCUSSED IT IS UNDERSTOOD THAT THE ENTIRE RUNOFF FROM ALL SIDES OF ALL ROOFS WILL BE DIRECTED TO THE STORMWATER STORAGE IN ORDER TO FACILITATE STORMWATER MANAGEMENT

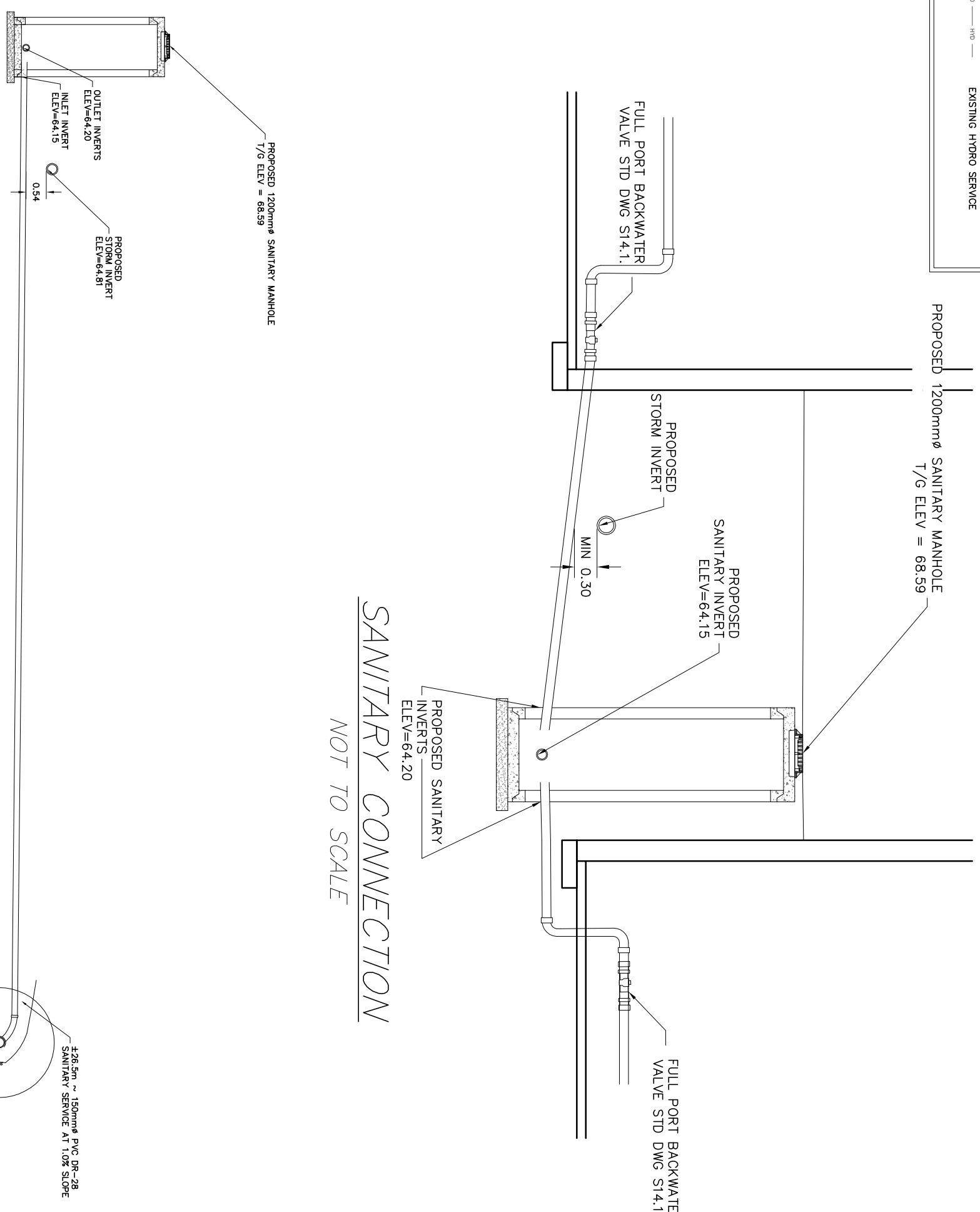


SITE SERVICING PLAN
SCALE = 1:150

STORMWATER CONNECTION
NOT TO SCALE



SANITARY CONNECTION
NOT TO SCALE



WATER CONNECTION
NOT TO SCALE

