



2	REVISED FOR SPA	01/02/2019
1	ISSUED FOR SPA	09/11/2018
No.	Revision	Date

North:

Stamp:

CSW Landscape Architecture
Urban Design
Site Planning
Recreation and Park Planning
Project Management

319 McRae Avenue, Suite 502, Ottawa, Ontario, K1Z 0B9
Tel: (613) 729-4536

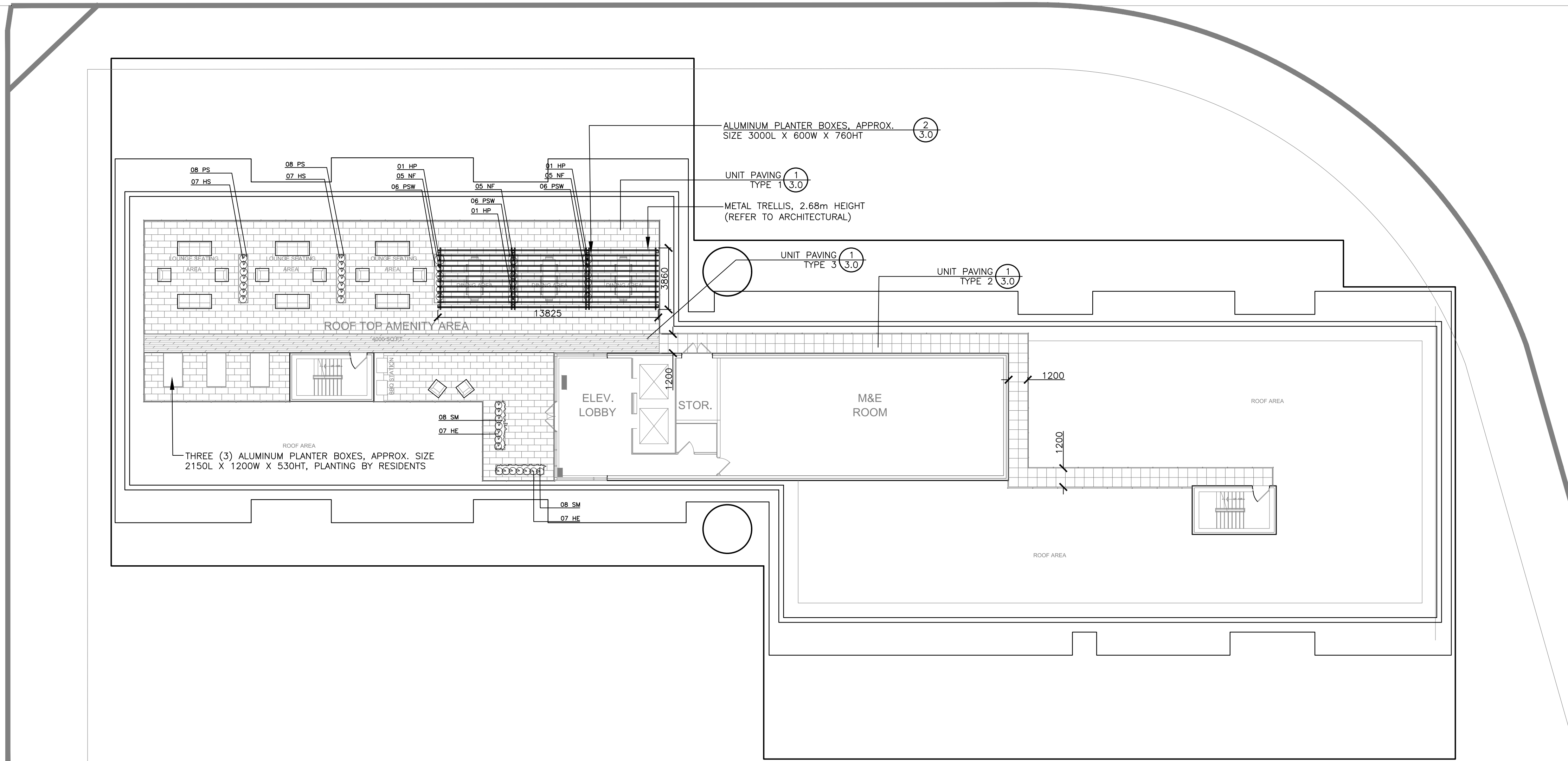
- All measurements in millimeters unless specified otherwise. Do not scale drawing. All drawings to be read in conjunction with written specifications.
- Copyright reserved. This drawing is the exclusive property of CSW Landscape Architects Ltd. and shall not be used without the consent thereof.
- This Drawing may not be used for construction until signed by the landscape architect. It is the responsibility of the contractor to:
 - check and verify all dimensions on site;
 - report all errors and/or omissions to the landscape architect;
 - comply with all pertinent codes and by-laws;
 - check and verify locations of all underground services with all local utilities prior to any digging.

Project: **ELMVALE ACRES REDEVELOPMENT - PH I**

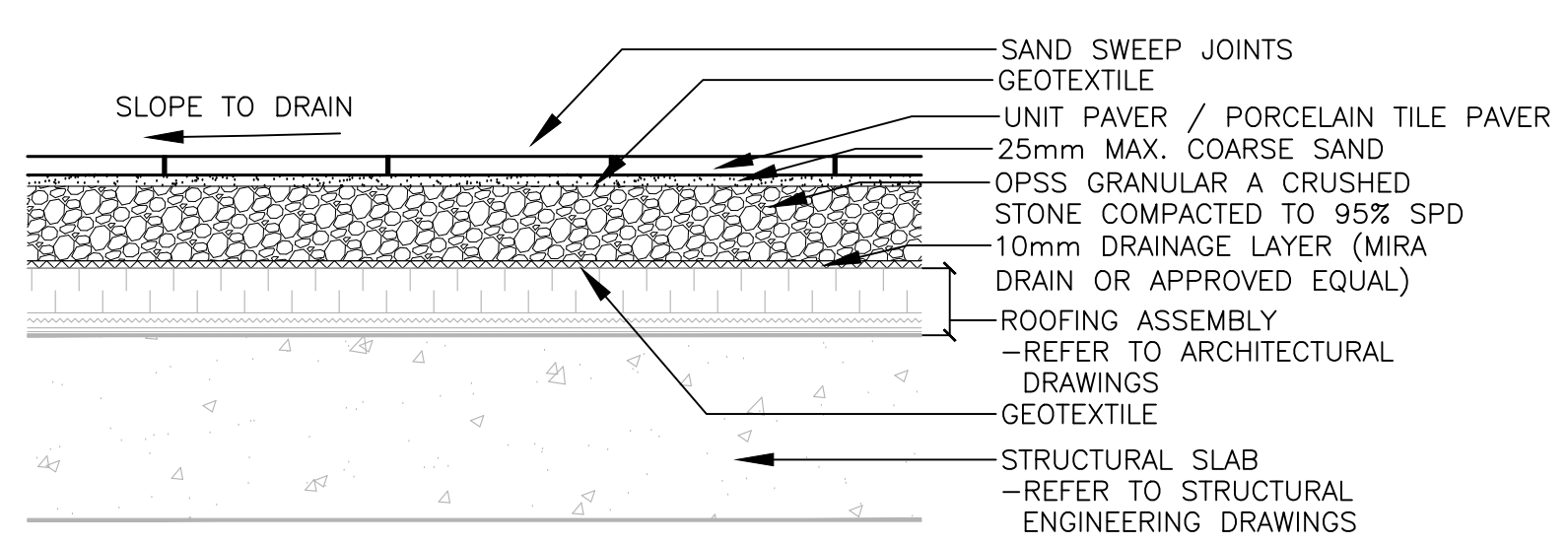
OTTAWA, ONTARIO

Drawing: LANDSCAPE PLAN UPPER TERRACE	
Scale: 1:200	Date: NOV 2018
Design By: SE	Drawn By: SE
Project Number: 1907-02	Sheet Number: L 3.0

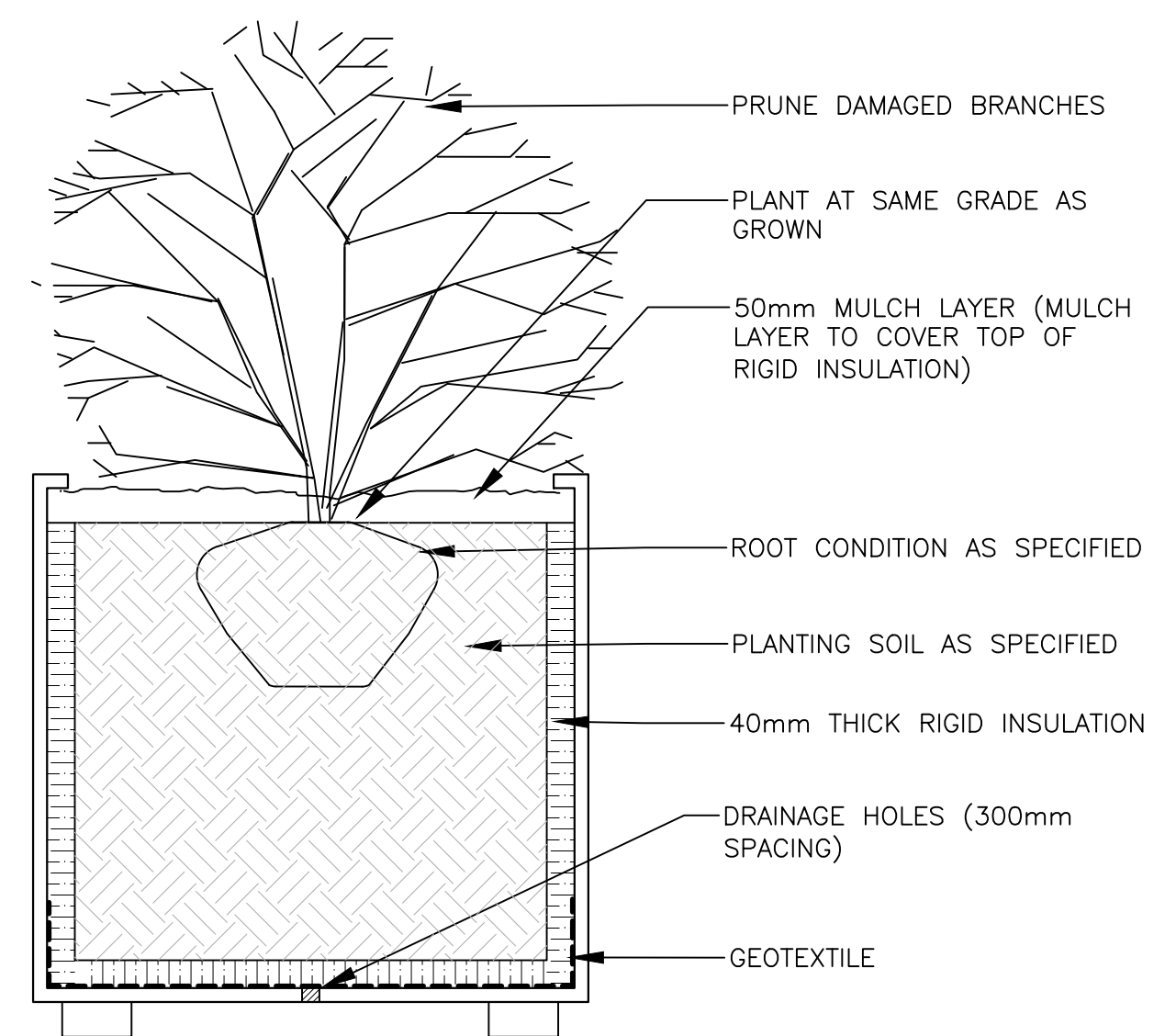
D07-12-18-0173



SYM.	BOTANICAL NAME	COMMON NAME	QTY.	SIZE	REMARKS
SHRUBS					
HP	HYDRANGEA PETIOLARIS	CLIMBING HYDRANGEA	03	500mm HT.	POT.
PERENNIALS					
HE	HEUCHERA 'PLUM PUDDING'	PLUM PUDDING CHORAL BELLS	14	1 GAL.	POT. 600mm O.C.
NF	NEPETA X FAASSENII 'WALKERS LOW'	WALKERS LOW CATMINT	15	1 GAL.	POT. 600mm O.C.
PS	PHLOX SUBULATA 'EMERALD PINK'	CREeping PHLOX 'PINK'	16	1 GAL.	POT. 600mm O.C.
PSW	PHLOX SUBULATA 'WHITE DELIGHT'	CREeping PHLOX 'WHITE'	18	1 GAL.	POT. 600mm O.C.
SM	SEDUM MEXICANUM 'GOLD MOUND'	GOLD MOUND SEDUM	16	1 GAL.	POT. 600mm O.C.
ORNAMENTAL GRASS					
HS	HELICTOTRICHON SEMPERVIRENS	BLUE OAT GRASS	14	1 GAL.	POT. 600mm O.C.



- UNIT PAVING TYPE 1:**
- INFINITY SLAB PAVER BY PERMACON (OR APPROVED EQUAL)
 - 40mm X 400mm X 600mm
 - LINEAR PATTERN
 - COLOR: T.B.D.
- UNIT PAVING TYPE 2:**
- NAVASCAPE PATIO SIDEWALK SLAB BY PERMACON (OR APPROVED EQUAL)
 - 40mm X 610mm X 610mm
 - COLOR: NATURAL
- UNIT PAVING TYPE 3:**
- PORCELAIN TILE PAVER: MIRAGE QUARZITI BY PERMACON (OR APPROVED EQUAL)
 - 20mm X 600 X 300 & 20 X 600 X 1200
 - COLOR: T.B.D.



Lily Xu
LILY XU, MCIP, RPP
(A) MANAGER, DEVELOPMENT REVIEW - SOUTH PLANNING, INFRASTRUCTURE & ECONOMIC DEVELOPMENT DEPARTMENT, CITY OF OTTAWA

APPROVED
By Lily Xu at 1:18 pm, Jun 11, 2019

1 UNIT PAVING Scale: 1:1

2 LANDSCAPE PLANTER Scale: 1:1



Last Save: 5/20/2019 11:11:59 AM File Location: C:\Projects\1907-02 Elmvale Acres Phase 1\Drawings\SPA\1907-02 Elmvale Phase 1_Roof Terrace Landscape L3.0.dwg