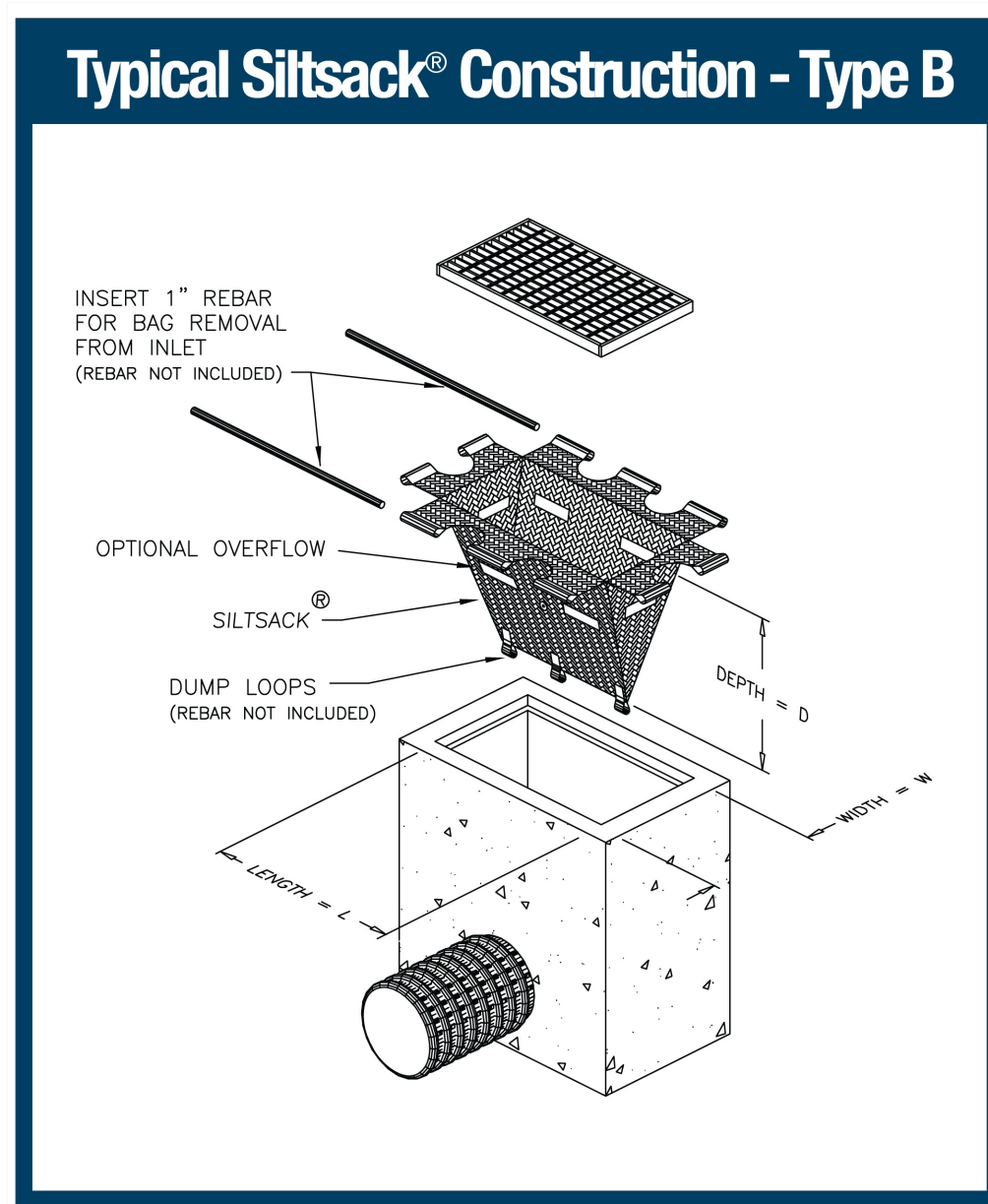
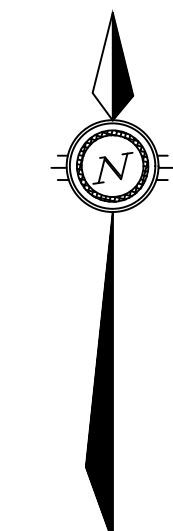
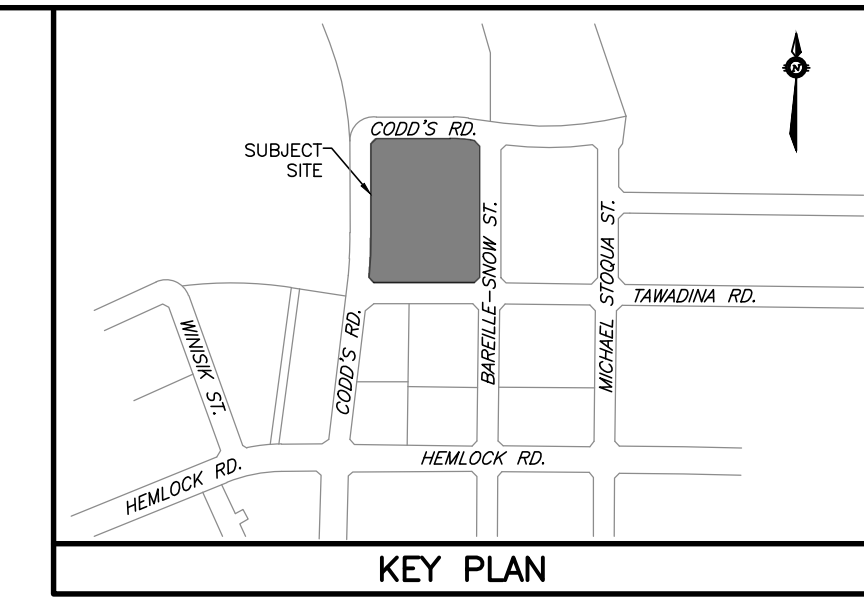


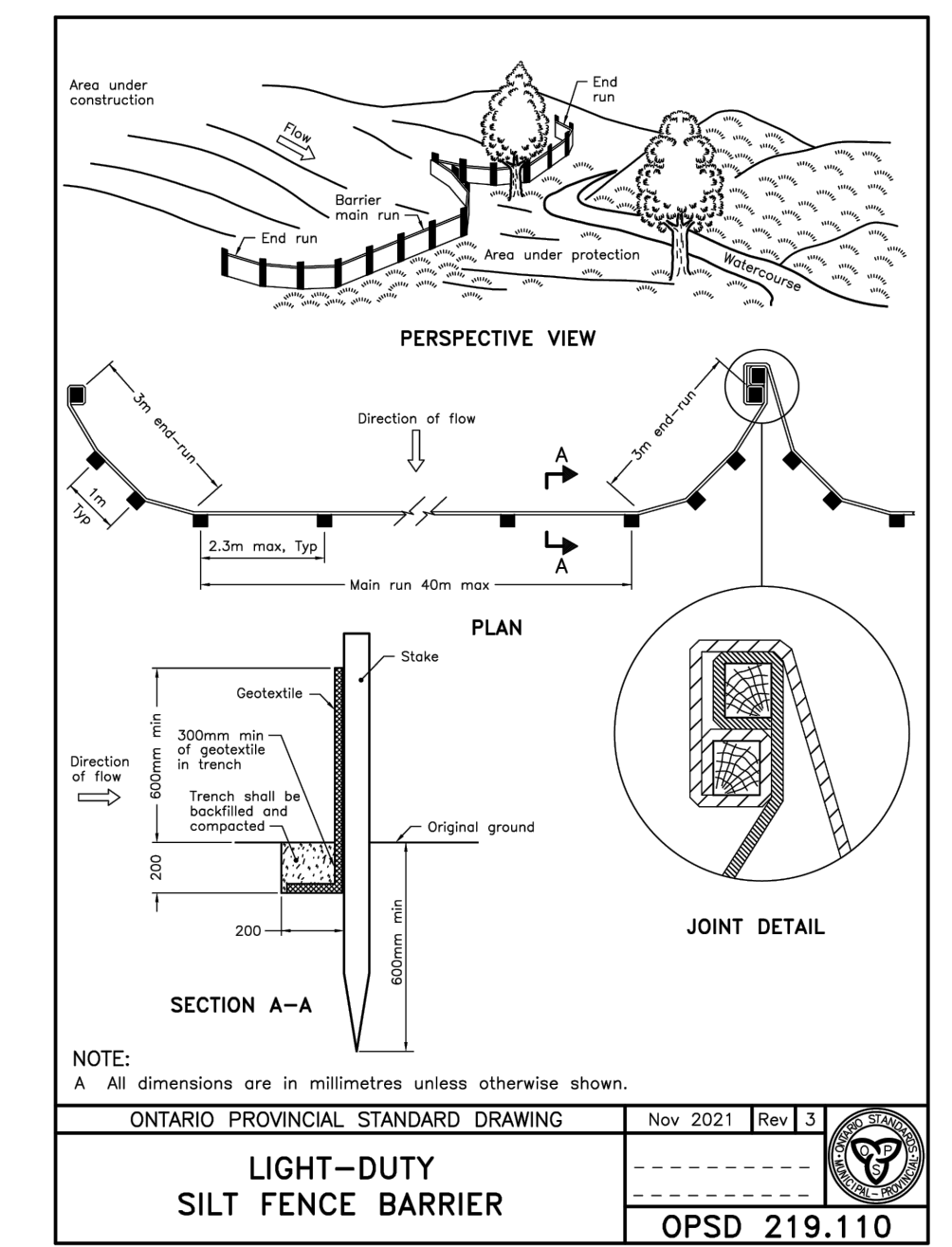
NOTES:  
 1. SEDIMENT SHALL BE CLEANED FROM ROADWAYS AS REQUIRED.  
 2. INSTALL AND MAINTAIN MUD MATS AT ALL CONSTRUCTION ENTRANCES.

**MUD MAT DETAIL**  
 N.T.S.



- LEGEND**
- PROPERTY BOUNDARY
  - - - PHASING LIMIT
  - - - EASEMENT
  - EXISTING CATCH BASIN
  - EXISTING STORM SEWER & MANHOLE
  - CATCH BASIN
  - STORM SEWER & MANHOLE
  - ▽ BUILDING ENTRANCE
  - ⊕ BOREHOLE/MONITORING WELL (REFER TO GEOTECHNICAL)
  - ||| TERRACING (3H:1V MAX.)
  - - - SWALE
  - - - LIGHT-DUTY SILT FENCE BARRIER
  - SS SILT SACK (OR APPROVED EQUIVALENT)

- NOTES:**
1. THE CONTRACTOR SHALL IMPLEMENT EROSION AND SEDIMENT CONTROL MEASURES TO PROVIDE PROTECTION OF THE AREA DRAINAGE SYSTEM AND THE ULTIMATE RECEIVING WATERCOURSE DURING CONSTRUCTION ACTIVITIES. THE CONTRACTOR ACKNOWLEDGES THAT FAILURE TO IMPLEMENT APPROPRIATE EROSION AND SEDIMENT CONTROL MEASURES MAY BE SUBJECT TO PENALTIES IMPOSED BY ANY APPLICABLE REGULATORY AGENCY.
  2. LIMIT THE EXTENT OF EXPOSED SOILS AT ANY GIVEN TIME.
  3. RETAIN EXISTING VEGETATION TO THE GREATEST EXTENT POSSIBLE FOR AS LONG AS POSSIBLE.
  4. MINIMIZE SLOPE LENGTH AND GRADIENT OF DISTURBED AREAS.
  5. MAINTAIN OVERLAND SHEET FLOW AND AVOID CONCENTRATED FLOWS.
  6. REDUCE RUNOFF VELOCITIES AND DETAIN RUNOFF TO PROMOTE SETTLING.
  7. EROSION AND SEDIMENT CONTROL MEASURES SHALL BE MAINTAINED UNTIL VEGETATION HAS BEEN RE-ESTABLISHED IN ALL DISTURBED AREAS. RE-VEGETATE DISTURBED AREAS AS SOON AS POSSIBLE.
  8. DIVERT RUNOFF FROM PROBLEM AREAS AND AWAY FROM INFILTRATION BASED LID PRACTICES.
  9. AVOID HEAVY VEHICLE TRAFFIC WHERE INFILTRATION BASED LID MEASURES ARE PROPOSED.
  10. CONTRACTOR SHALL MINIMIZE THE AMOUNT OF STOCKPILED MATERIAL. ALL STOCKPILE SOIL SHALL BE AWAY (15 METRES OR GREATER) FROM WATERCOURSES, LID PRACTICES, DRAINAGE FEATURES AND TOP OF STEEP SLOPES. THE DOWNSTREAM SIDE OF ALL STOCKPILES SHALL BE PROTECTED WITH SILT FENCE, FIBRE ROLLS OR EQUIVALENT MEASURES PRIOR TO A RAINFALL EVENT.
  11. SILT SACKS ARE TO BE PLACED UNDERNEATH THE FRAME AND COVER OF ALL PROPOSED AND EXISTING CATCH BASIN AND OPEN COVER STORM MANHOLES UNTIL CONSTRUCTION IS COMPLETED.
  12. LIGHT-DUTY SILT FENCE BARRIERS SHALL BE INSTALLED AS PER OPSD 219.110 WHERE INDICATED AND MAINTAINED AS REQUIRED.
  13. DURING ACTIVE CONSTRUCTION PERIODS, VISUAL INSPECTIONS SHALL BE UNDERTAKEN ON A WEEKLY BASIS AND AFTER MAJOR STORM EVENTS (>25mm RAIN IN 24 HOUR PERIOD) ON SEDIMENT CONTROL BARRIERS AND ANY DAMAGE REPAIRED IMMEDIATELY.
  14. EROSION AND SEDIMENT CONTROL BARRIERS SHALL ALSO BE ASSESSED (AND REPAIRED AS REQUIRED) FOLLOWING SIGNIFICANT SNOWMELT EVENTS.
  15. VISUAL INSPECTIONS SHALL ALSO BE UNDERTAKEN IN ANTICIPATION OF LARGE STORM EVENTS (OR A SERIES OF RAINFALL AND/OR SNOWMELT DAYS) THAT COULD POTENTIALLY YIELD SIGNIFICANT RUNOFF VOLUMES.
  16. CARE SHALL BE TAKEN TO PREVENT DAMAGE TO EROSION AND SEDIMENT CONTROLS DURING CONSTRUCTION OPERATIONS.
  17. IN SOME CASES, BARRIERS MAY BE REMOVED TEMPORARILY TO ACCOMMODATE THE CONSTRUCTION OPERATIONS. THE AFFECTED BARRIERS SHALL BE REINSTATEMENT IMMEDIATELY AFTER CONSTRUCTION OPERATIONS ARE COMPLETED.
  18. SEDIMENT CONTROL DEVICES SHALL BE CLEANED OF ACCUMULATED SEDIMENTATION AS REQUIRED AND REPLACED AS NECESSARY.
  19. DURING THE COURSE OF CONSTRUCTION, IF THE ENGINEER BELIEVES THAT ADDITIONAL PREVENTION METHODS ARE REQUIRED TO CONTROL EROSION AND SEDIMENTATION, THE CONTRACTOR SHALL IMPLEMENT ADDITIONAL MEASURES, AS REQUIRED, TO THE SATISFACTION OF THE ENGINEER.
  20. CONSTRUCTION AND MAINTENANCE REQUIREMENTS FOR EROSION AND SEDIMENT CONTROLS ARE TO COMPLY WITH OPSD 805.
  21. MUD MATS SHALL BE INSTALLED AT ALL CONSTRUCTION ENTRANCES.
  22. INSPECTION AND MAINTENANCE OF TEMPORARY ESC MEASURES SHALL CONTINUE UNTIL THEY ARE NO LONGER REQUIRED.
  23. THE CONTRACTOR SHALL ENSURE THAT RECORDS OF INSPECTION ARE TAKEN, INCLUDING INSPECTOR'S NAME, DATE OF INSPECTION, VISUAL OBSERVATIONS, AND ANY NECESSARY REMEDIAL MEASURES TAKEN TO MAINTAIN INTERIM ESC MEASURES.

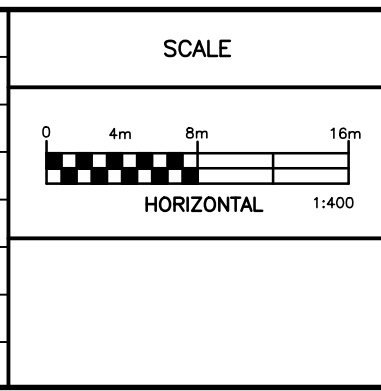


**NOTES**

THE POSITION OF ALL POLE LINES, CONDUITS, WATERMANS, SEWERS AND OTHER UNDERGROUND AND OVERGROUND UTILITIES AND STRUCTURES IS NOT NECESSARILY SHOWN ON THE CONTRACT DRAWINGS, AND WHERE SHOWN, THE ACCURACY OF THE POSITION OF SUCH UTILITIES AND STRUCTURES IS NOT GUARANTEED. BEFORE STARTING WORK, DETERMINE THE EXACT LOCATION OF ALL SUCH UTILITIES AND STRUCTURES AND ASSUME ALL LIABILITY FOR DAMAGE TO THEM.

PROPERTY BOUNDARIES ARE DERIVED FROM TOPOGRAPHIC PLAN OF PART OF WATER RIDGE DEVELOPMENT BEING SHOWN AS BLOCK 21 ON DRAFT M-PLAN LOCATED NORTH OF TAWADINA ROAD AND EAST OF CODD'S ROAD, GEOGRAPHIC TOWNSHIP OF GLOUCESTER, CITY OF OTTAWA, MONUMENT-URSO SURVEYING LTD. ELEVATIONS ARE GEODETIC AND REFERRED TO THE CANADIAN GEODETIC VERTICAL DATUM (CGVD28:78).

NO.	REVISION DESCRIPTION	DATE	BY
5	REVISED PER COMMENTS	10/06/26	BLM
4	ISSUED FOR BUILDING PERMIT	05/05/26	BLM
3	REISSUED FOR TENDER	23/03/26	BLM
2	REVISED PER CLC COMMENTS	27/02/26	BLM
1	ISSUED FOR REVIEW	16/01/26	BLM



**Robinson**  
 Land Development

2936 Baseline Road  
 Suite 200  
 Ottawa, ON K2H 1B3  
 (613) 592-6060 rcii.com

DESIGN	BLM
CHECKED	SM
DRAWN	BLM
CHECKED	SM
APPROVED	BLM

**WATERIDGE LIFESTYLES LTD.**

**WATERIDGE VILLAGE**  
 100 BAREILLE-SNOW STREET  
 CITY OF OTTAWA, ON

**INTERIM**  
**EROSION AND SEDIMENT**  
**CONTROL PLAN**

PROJECT No.	25117
SURVEY	MONUMENT-URSO SURVEYING LTD.
DATED	JUNE 2026
DWG. No.	25117-ESC2

FILE No. D07-12-26-0020