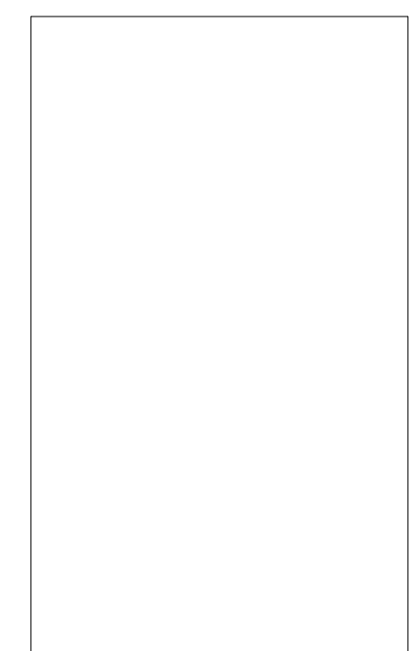


1 BASEMENT FLOOR PLAN
 A-200 SCALE = 1/4" = 1'-0"

- GENERAL NOTES:**
- FOR ALL TECHNICAL ISSUE OR QUESTIONS, CONTACT THE ARCHITECT BEFORE CONTINUING THE WORK
 - THE CONTRACTOR IS RESPONSIBLE TO CONFIRM ALL DIMENSIONS AND CONDITIONS AFFECTING THE WORK SITE AND WILL BE SOLELY RESPONSIBLE FOR THE ACCURACY OF MEASUREMENTS AND OBSERVATIONS.
 - CONTRACTOR WILL REPORT ANY ERRORS, OMISSIONS OR DEFECTS TO THE ARCHITECT BEFORE THE COMMENCEMENT OF WORK. VERIFY EXISTING CONDITIONS ON SITE AND ADJUST AS NECESSARY
 - ALL WORK SHALL BE PERFORMED:
 - ALL WORK IS TO BE DONE IN ACCORDANCE WITH THE LATEST EDITION OF ONTARIO BUILDING CODE AND ALL OTHER APPLICABLE REGULATIONS.
 - IN ACCORDANCE WITH MANUFACTURERS' LITERATURE FOR INSTALLATION AND MAINTENANCE.
 - DO NOT SCALE DRAWINGS. IF NO DIMENSIONS IS GIVEN REFER TO THE AUTHOR OF THE DRAWINGS.
 - REFER TO STRUCTURAL DRAWINGS FOR ALL DETAILS REGARDING FOOTINGS, FOUNDATIONS, WOOD FRAME STRUCTURE AND ALL OTHER STRUCTURAL COMPONENTS OF THE BUILDING.
 - REFER TO CONSULTING ENGINEERING CONSULTANTS FOR ANY ISSUES AFFECTING STRUCTURAL AND/OR GEOTECHNICAL (SOILS).
 - IT IS FORBIDDEN TO REPRODUCE IN WHOLE OR IN PART THIS DOCUMENT WITHOUT THE WRITTEN PERMISSION OF THE AUTHOR. L+D ARCHITECTS OWN EXCLUSIVE COPYRIGHTS ON THIS DOCUMENT.
 - NO COPY OF THIS PLAN WITHOUT THE WRITTEN CONSENT IS PERMITTED. ANY OFFENDER IS SUBJECT TO PROSECUTION. IF ADDITIONAL COPIES ARE REQUIRED, PLACE A REQUEST WITH THE ARCHITECTS. PRINTING COST WILL APPLY.
 - FOUNDATION WALLS SHOULD NOT BE BACKFILLED UNTIL CONCRETE HAS REACHED ITS SPECIFIED 28 DAYS CURING STRENGTH AND STRUCTURAL FLOOR FRAMING INCLUDING PLYWOOD SUBFLOOR IS REQUIRED TO STABILIZE THE WALL PRIOR TO BACKFILL.
 - REFER TO STRUCTURAL DRAWINGS FOR ALL FOUNDATION, FOOTINGS, COLUMNS, BEAMS, ETC.
 - REFER TO THE MECHANICAL AND ELECTRICAL DRAWINGS FOR ALL MECHANICAL AND ELECTRICAL ELEMENTS.

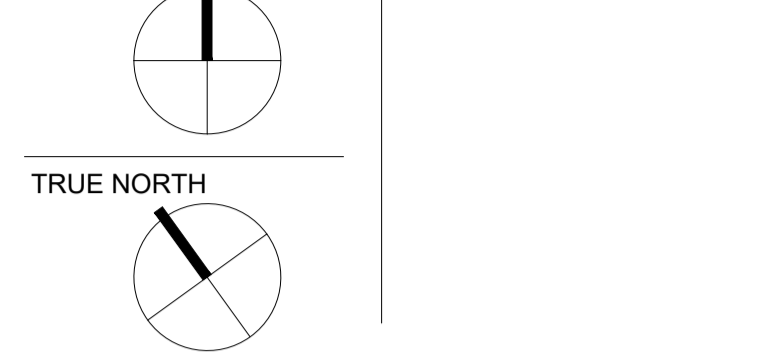


LEGEND

	DENOTES 1-HOUR FIRE-RATED PARTITION
	DENOTES STRUCTURAL MEMBERS - REFER TO STRUCTURAL
	DENOTES BULKHEAD TO ACCOMMODATE MECHANICAL DUCTING. UNDERSIDE OF BULKHEADS TO BE AT 8'-0" ABOVE FINISHED FLOOR

CLIENT

PROJECT NORTH SEAL



ARCHITECTURAL



MECHANICAL + ELECTRICAL

STRUCTURAL

CIVIL

DATE	DESCRIPTION	ISSUE REV.
2026-05-28	ISSUED FOR REVIEW	2
2026-01-20	ISSUED FOR REVIEW	2
2025-12-11	ISSUED FOR REVIEW	1

PROJECT NAME

**NEMORIN
 ORLEANS DEVELOPMENT - PRR2**

1144 St. Pierre, Orleans, ON

DRAWING TITLE

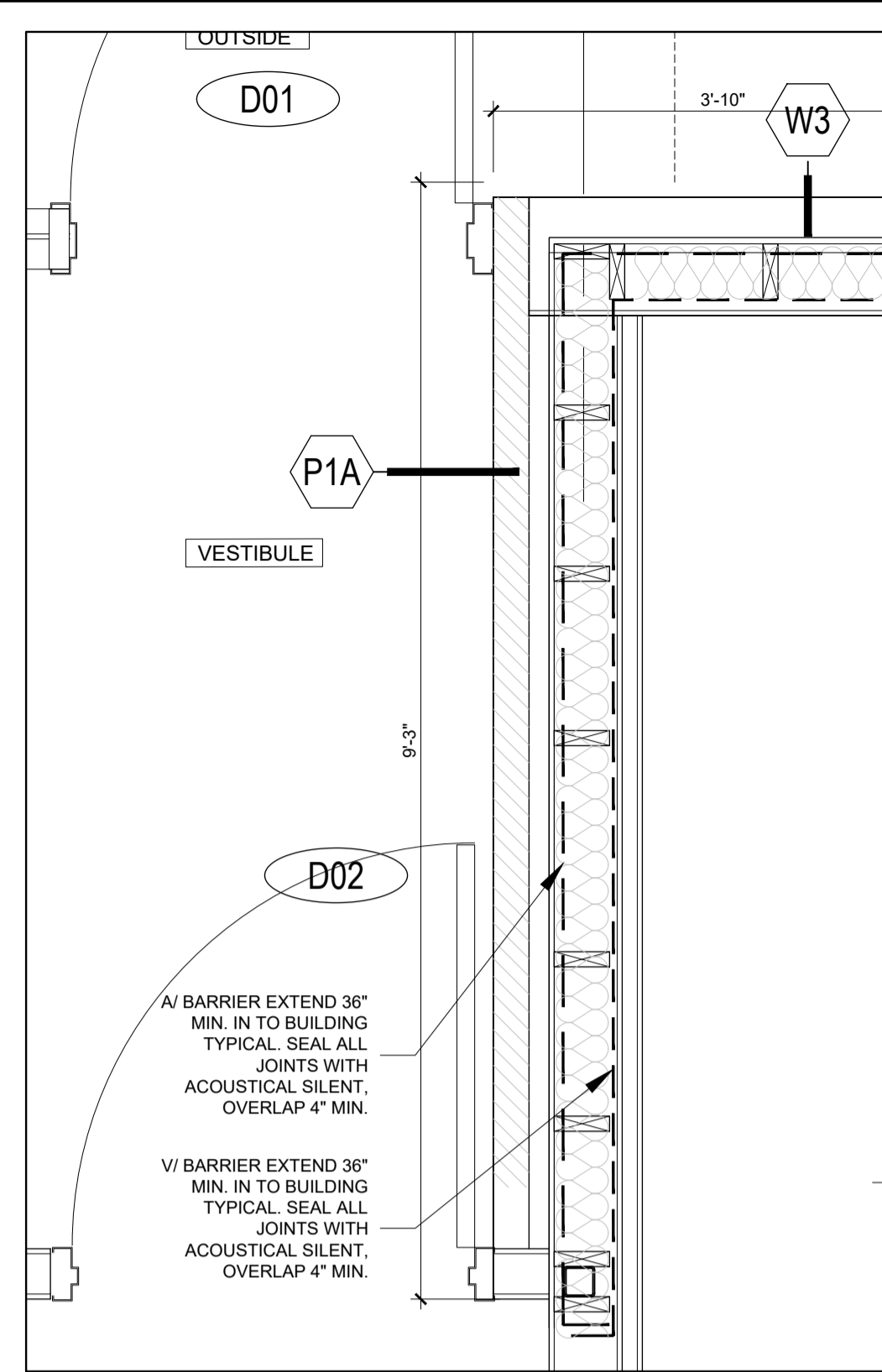
BASEMENT FLOOR PLAN

DATE 2025-12-11 PROJECT NO.

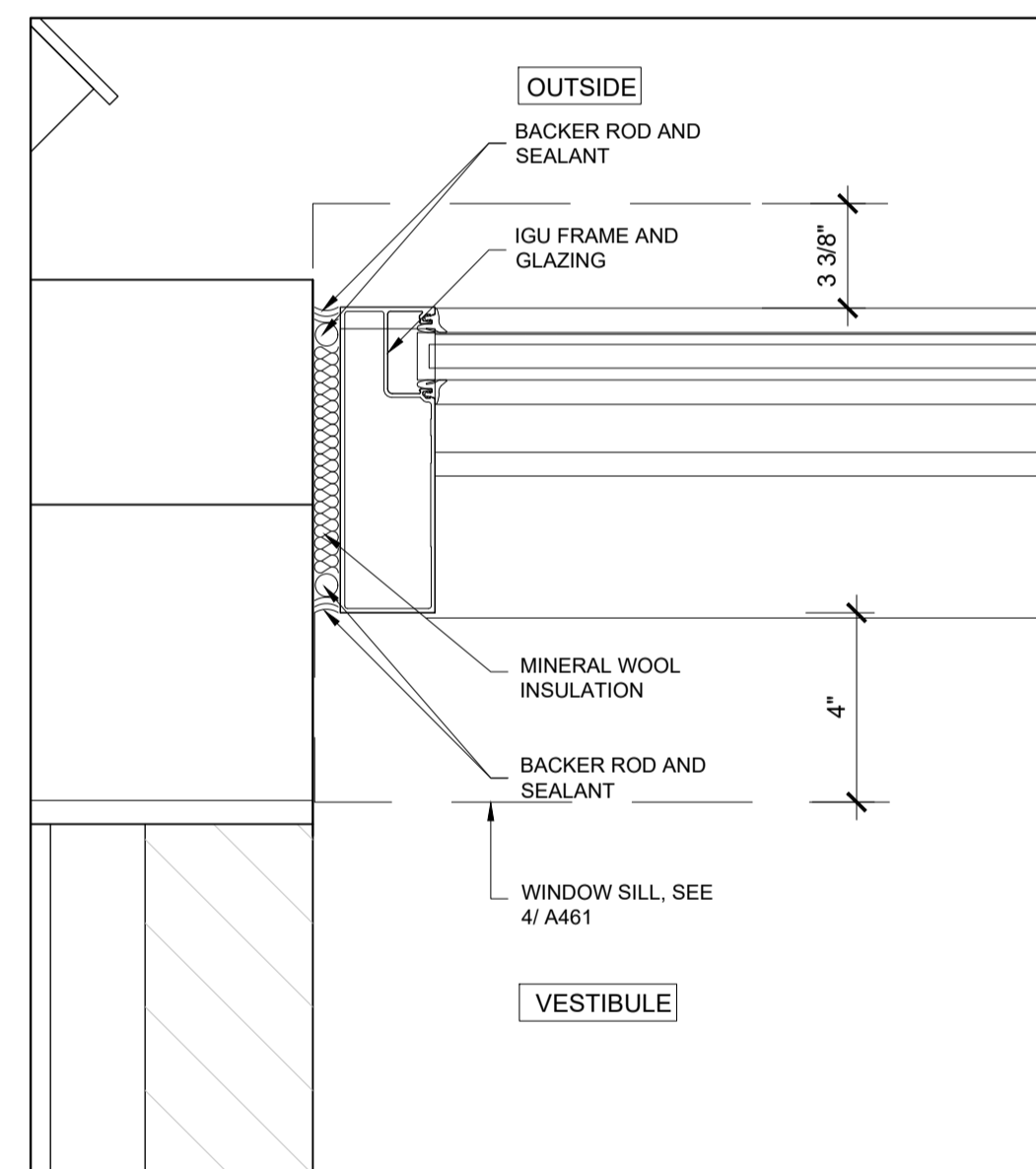
SCALE AS NOTED **25.019**

DRAWN BY MD DRAWING NO.

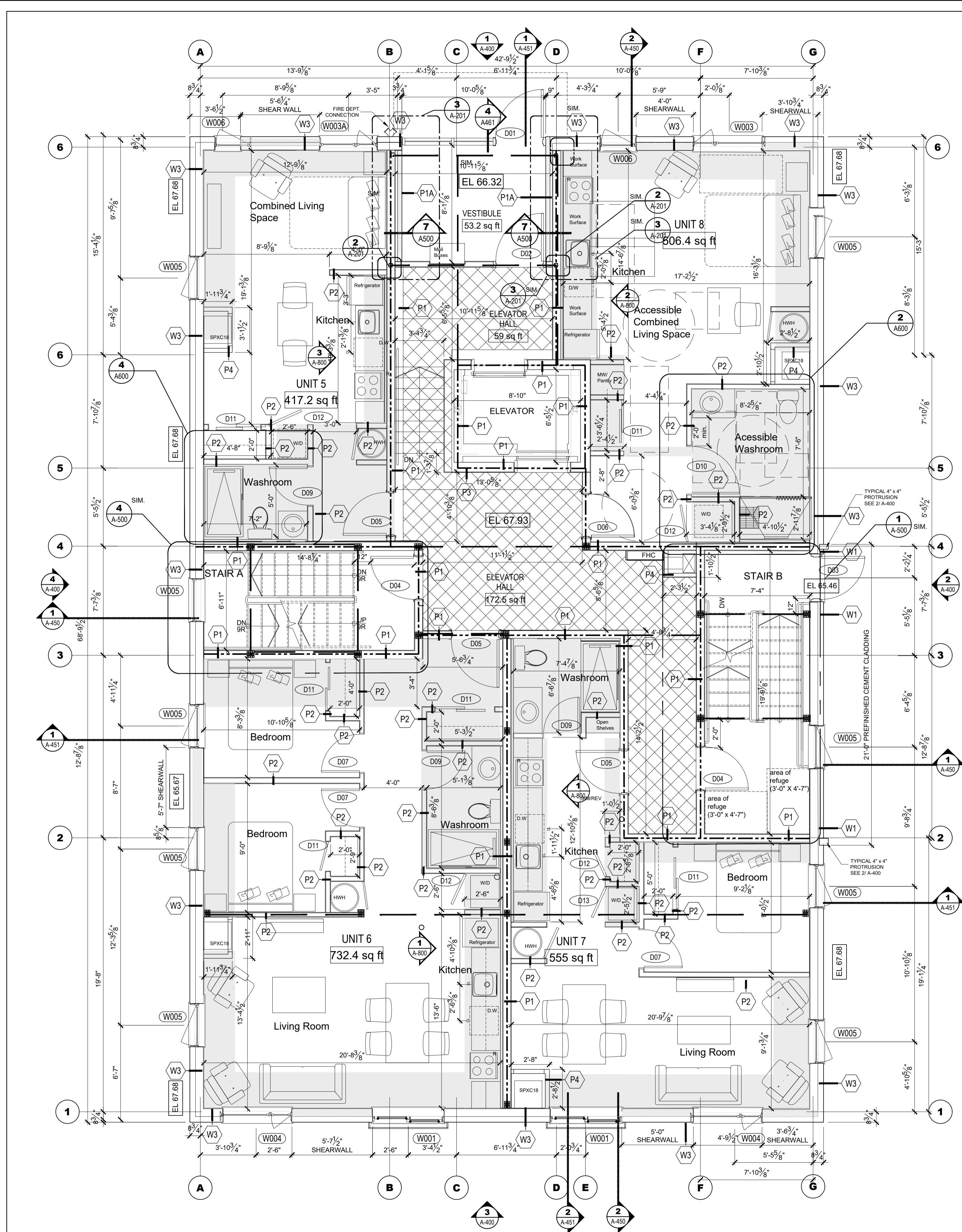
REVIEWED BY LCL **A-200**



2 PLAN DETAIL
A-201 SCALE = 3/4" = 1'-0"



3 PLAN DETAIL
A-201 SCALE = 3" = 1'-0"



1 FIRST FLOOR PLAN
A-201 SCALE = 1/4" = 1'-0"

- GENERAL NOTES:**
- FOR ALL TECHNICAL ISSUE OR QUESTIONS, CONTACT THE ARCHITECT BEFORE CONTINUING THE WORK.
 - THE CONTRACTOR IS RESPONSIBLE TO CONFIRM ALL DIMENSIONS AND CONDITIONS AFFECTING THE WORK SITE AND WILL BE SOLELY RESPONSIBLE FOR THE ACCURACY OF MEASUREMENTS AND OBSERVATIONS.
 - CONTRACTOR WILL REPORT ANY ERRORS, OMISSIONS OR DEFECTS TO THE ARCHITECT BEFORE THE COMMENCEMENT OF WORK. VERIFY EXISTING CONDITIONS ON SITE AND ADJUST AS NECESSARY.
 - ALL WORK SHALL BE PERFORMED:
 - ALL WORK IS TO BE DONE IN ACCORDANCE WITH THE LATEST EDITION OF ONTARIO BUILDING CODE AND ALL OTHER APPLICABLE REGULATIONS.
 - IN ACCORDANCE WITH MANUFACTURERS' LITERATURE FOR INSTALLATION AND MAINTENANCE.
 - DO NOT SCALE DRAWINGS. IF NO DIMENSIONS IS GIVEN REFER TO THE AUTHOR OF THE DRAWINGS.
 - REFER TO STRUCTURAL DRAWINGS FOR ALL DETAILS REGARDING FOOTINGS, FOUNDATIONS, WOOD FRAME STRUCTURE AND ALL OTHER STRUCTURAL COMPONENTS OF THE BUILDING.
 - REFER TO CONSULTING ENGINEERING CONSULTANTS FOR ANY ISSUES AFFECTING STRUCTURAL AND/OR GEOTECHNICAL (SOLS).
 - IT IS FORBIDDEN TO REPRODUCE IN WHOLE OR IN PART THIS DOCUMENT WITHOUT THE WRITTEN PERMISSION OF THE AUTHOR. L+D ARCHITECTS OWN EXCLUSIVE COPYRIGHTS ON THIS DOCUMENT.
 - NO COPY OF THIS PLAN WITHOUT THE WRITTEN CONSENT IS PERMITTED. ANY OFFENDER IS SUBJECT TO PROSECUTION. IF ADDITIONAL COPIES ARE REQUIRED, PLACE A REQUEST WITH THE ARCHITECTS. PRINTING COST WILL APPLY.
 - FOUNDATION WALLS SHOULD NOT BE BACKFILLED UNTIL CONCRETE HAS REACHED ITS SPECIFIED 28 DAYS CURING STRENGTH AND STRUCTURAL FLOOR FRAMING INCLUDING PLYWOOD SUBFLOOR IS REQUIRED TO STABILIZE THE WALL PRIOR TO BACKFILL.
 - REFER TO STRUCTURAL DRAWINGS FOR ALL FOUNDATION, FOOTINGS, COLUMNS, BEAMS, ETC.
 - REFER TO THE MECHANICAL AND ELECTRICAL DRAWINGS FOR ALL MECHANICAL AND ELECTRICAL ELEMENTS.



LEGEND

	DENOTES 1-HOUR FIRE-RATED PARTITION
	DENOTES STRUCTURAL MEMBERS - REFER TO STRUCTURAL
	DENOTES BULKHEAD TO ACCOMMODATE MECHANICAL DUCTING. UNDERSIDE OF BULKHEADS TO BE AT 8'-0" ABOVE FINISHED FLOOR
	DENOTE ADDITIONAL FIRE-RATING TO CEILING - REFER TO F1A ON DWG A003

CLIENT

PROJECT NORTH SEAL

TRUE NORTH

ARCHITECTURAL

(L+D) LALANDE + DOYLE ARCHITECTS INC.
www.l+d.ca
119 Millard Ave
Ottawa, Ontario K1Y 0Y2
Tel: 613.233.2900
Fax: 613.233.1008

MECHANICAL + ELECTRICAL

STRUCTURAL

CIVIL

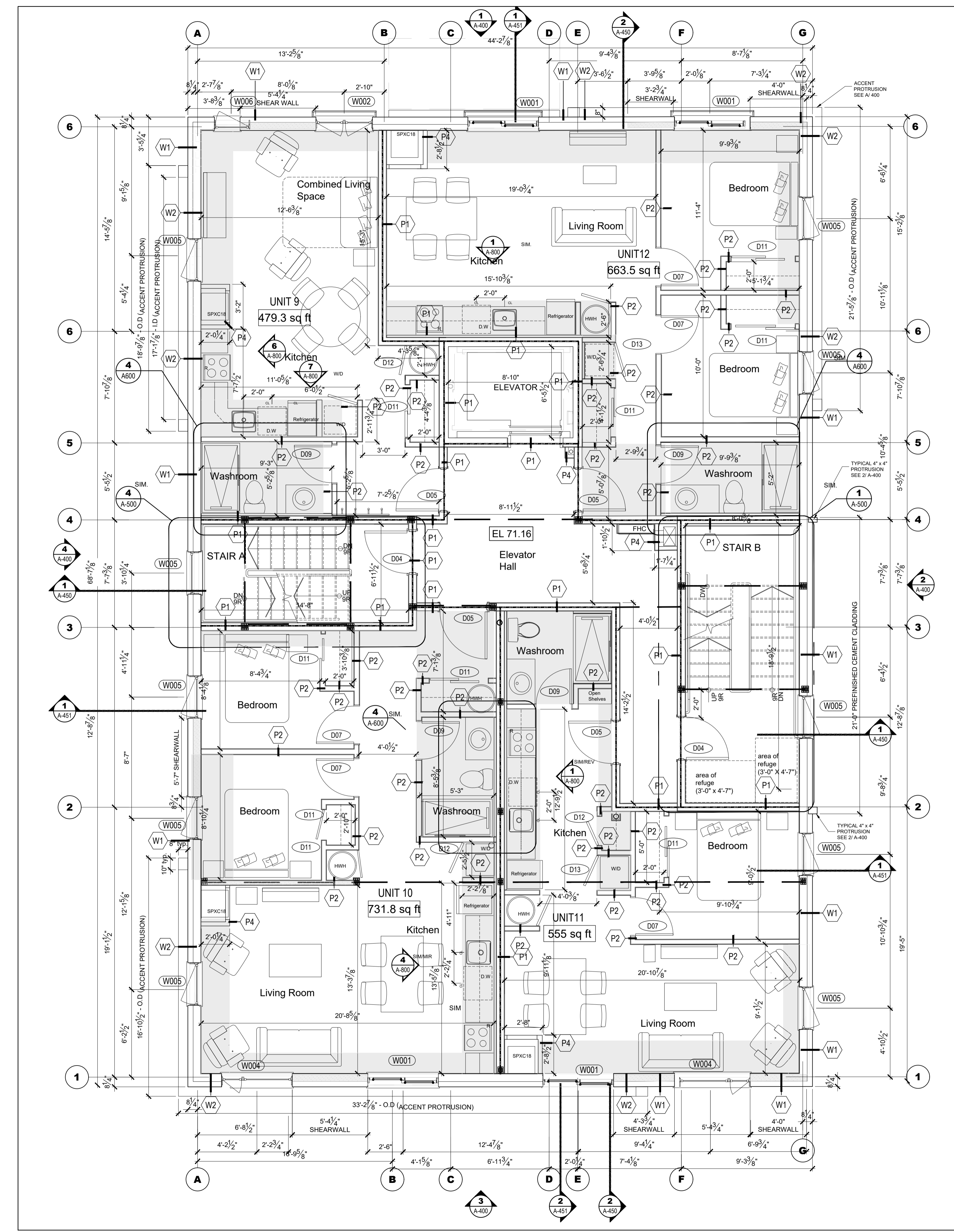
DATE	DESCRIPTION	ISSUE REV.
2026-05-26	ISSUED FOR REVIEW	2
2026-01-20	ISSUED FOR REVIEW	2
2025-12-11	ISSUED FOR REVIEW	1

PROJECT NAME
NEMORIN
ORLEANS DEVELOPMENT - PRR2

1144 St. Pierre Street, Orleans, ON

DRAWING TITLE
FIRST FLOOR PLAN

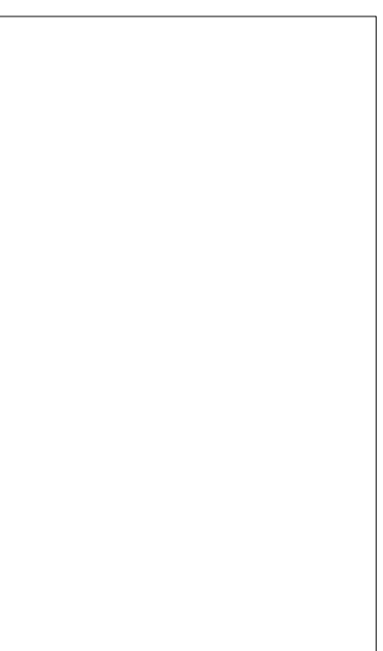
DATE 2025-12-11	PROJECT NO. 25.019
SCALE AS NOTED	
DRAWN BY MD	DRAWING NO. A-201
REVIEWED BY LCL	



1 SECOND FLOOR PLAN
SCALE = 1/4" = 1'-0"

GENERAL NOTES:

- FOR ALL TECHNICAL ISSUE OR QUESTIONS, CONTACT THE ARCHITECT BEFORE CONTINUING THE WORK.
- THE CONTRACTOR IS RESPONSIBLE TO CONFIRM ALL DIMENSIONS AND CONDITIONS AFFECTING THE WORK SITE AND WILL BE SOLELY RESPONSIBLE FOR THE ACCURACY OF MEASUREMENTS AND OBSERVATIONS.
- CONTRACTOR WILL REPORT ANY ERRORS, OMISSIONS OR DEFECTS TO THE ARCHITECT BEFORE THE COMMENCEMENT OF WORK. VERIFY EXISTING CONDITIONS ON SITE AND ADJUST AS NECESSARY.
- ALL WORK SHALL BE PERFORMED:
 - ALL WORK IS TO BE DONE IN ACCORDANCE WITH THE LATEST EDITION OF ONTARIO BUILDING CODE AND ALL OTHER APPLICABLE REGULATIONS.
 - IN ACCORDANCE WITH MANUFACTURERS' LITERATURE FOR INSTALLATION AND MAINTENANCE.
- DO NOT SCALE DRAWINGS. IF NO DIMENSIONS IS GIVEN REFER TO THE AUTHOR OF THE DRAWINGS.
- REFER TO STRUCTURAL DRAWINGS FOR ALL DETAILS REGARDING FOOTINGS, FOUNDATIONS, WOOD FRAME STRUCTURE AND ALL OTHER STRUCTURAL COMPONENTS OF THE BUILDING.
- REFER TO CONSULTING ENGINEERING CONSULTANTS FOR ANY ISSUES AFFECTING STRUCTURAL AND/OR GEOTECHNICAL (SOLS).
- IT IS FORBIDDEN TO REPRODUCE IN WHOLE OR IN PART THIS DOCUMENT WITHOUT THE WRITTEN PERMISSION OF THE AUTHOR. L+D ARCHITECTS OWN EXCLUSIVE COPYRIGHTS ON THIS DOCUMENT.
- NO COPY OF THIS PLAN WITHOUT THE WRITTEN CONSENT IS PERMITTED. ANY OFFENDER IS SUBJECT TO PROSECUTION. IF ADDITIONAL COPIES ARE REQUIRED, PLACE A REQUEST WITH THE ARCHITECTS. PRINTING COST WILL APPLY.
- FOUNDATION WALLS SHOULD NOT BE BACKFILLED UNTIL CONCRETE HAS REACHED ITS SPECIFIED 28 DAYS CURING STRENGTH AND STRUCTURAL FLOOR FRAMING INCLUDING PLYWOOD SUBFLOOR IS REQUIRED TO STABILIZE THE WALL PRIOR TO BACKFILL.
- REFER TO STRUCTURAL DRAWINGS FOR ALL FOUNDATION, FOOTINGS, COLUMNS, BEAMS, ETC.
- REFER TO THE MECHANICAL AND ELECTRICAL DRAWINGS FOR ALL MECHANICAL AND ELECTRICAL ELEMENTS.

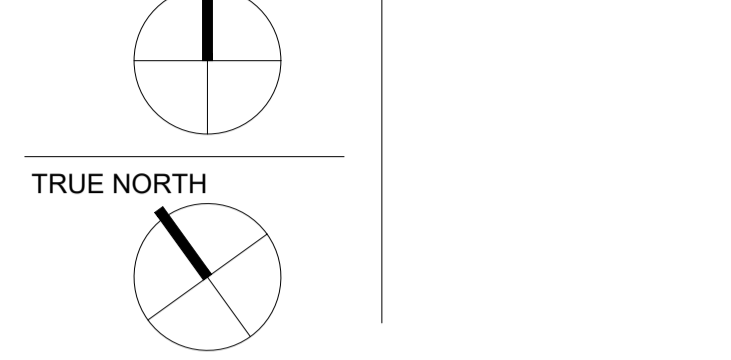


LEGEND

	NOTES 1-HOUR FIRE-RATED PARTITION
	NOTES STRUCTURAL MEMBERS - REFER TO STRUCTURAL
	NOTES BULKHEAD TO ACCOMMODATE MECHANICAL DUCTING. UNDERSIDE OF BULKHEADS TO BE AT 8'-0" ABOVE FINISHED FLOOR

CLIENT

PROJECT NORTH SEAL



ARCHITECTURAL

(L+D) LALANDE + DOYLE ARCHITECTS INC.
www.l+d.ca
101 613.233.2000
109 Millard Ave
Orleans, Ontario K1T 0Y2

MECHANICAL + ELECTRICAL

STRUCTURAL

CIVIL

DATE	DESCRIPTION	ISSUE REV.
2026-05-26	ISSUED FOR REVIEW	2
2026-01-20	ISSUED FOR REVIEW	2
2025-12-11	ISSUED FOR REVIEW	1

PROJECT NAME
NEMORIN

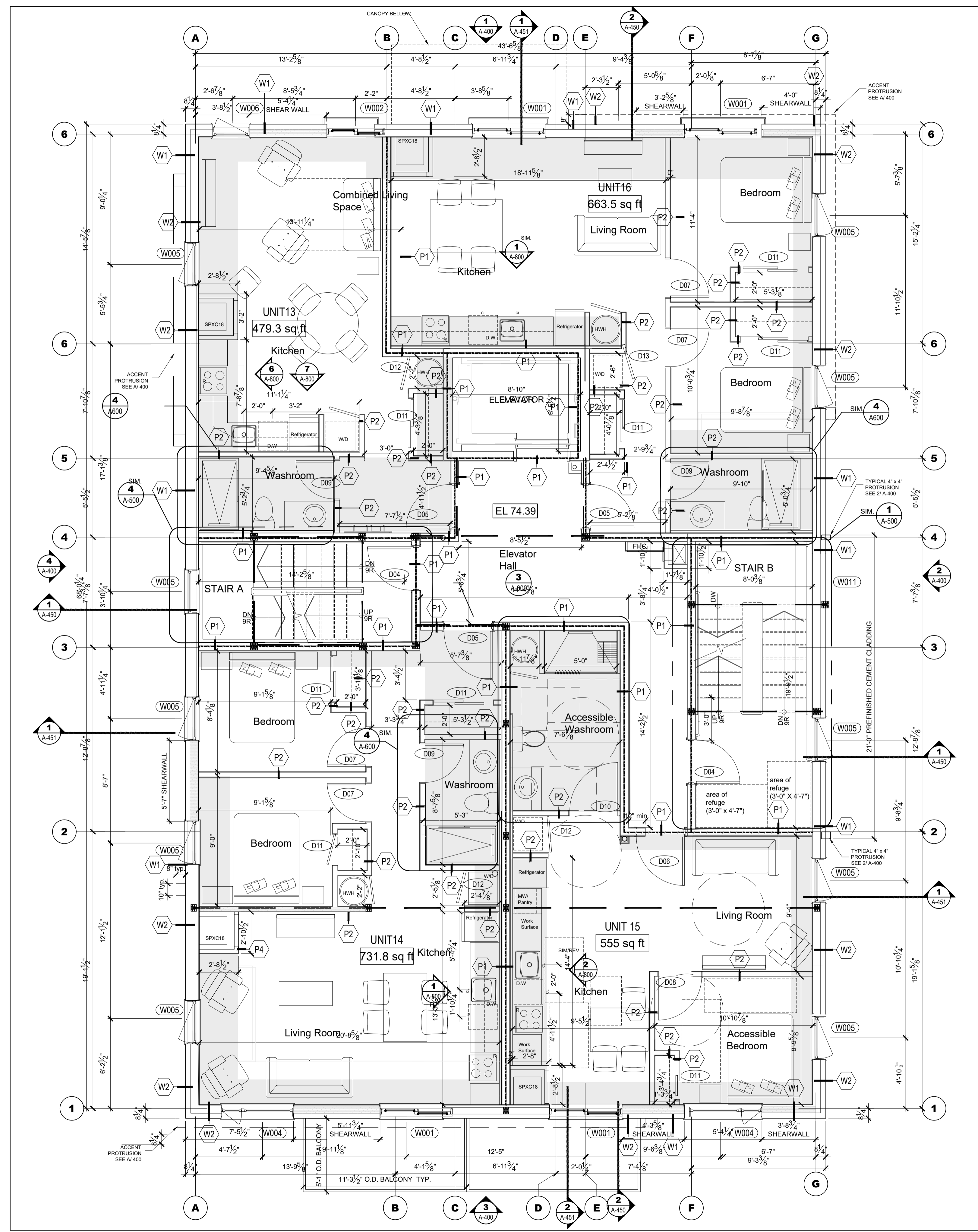
ORLEANS DEVELOPMENT - PRR2

1144 St. Pierre Street, Orleans, ON

DRAWING TITLE

SECOND FLOOR PLAN

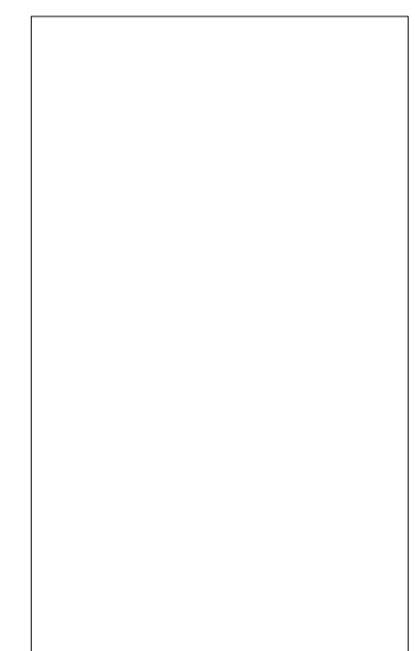
DATE	PROJECT NO.
2025-12-02	25.019
SCALE	AS NOTED
DRAWN BY	DRAWING NO.
MD	A-202
REVIEWED BY	LCL



1 THIRD FLOOR PLAN
SCALE = 1/4" = 1'-0"

GENERAL NOTES:

- FOR ALL TECHNICAL ISSUE OR QUESTIONS, CONTACT THE ARCHITECT BEFORE CONTINUING THE WORK.
- THE CONTRACTOR IS RESPONSIBLE TO CONFIRM ALL DIMENSIONS AND CONDITIONS AFFECTING THE WORK SITE AND WILL BE SOLELY RESPONSIBLE FOR THE ACCURACY OF MEASUREMENTS AND OBSERVATIONS.
- CONTRACTOR WILL REPORT ANY ERRORS, OMISSIONS OR DEFECTS TO THE ARCHITECT BEFORE THE COMMENCEMENT OF WORK. VERIFY EXISTING CONDITIONS ON SITE AND ADJUST AS NECESSARY.
- ALL WORK SHALL BE PERFORMED:
 - ALL WORK IS TO BE DONE IN ACCORDANCE WITH THE LATEST EDITION OF ONTARIO BUILDING CODE AND ALL OTHER APPLICABLE REGULATIONS.
 - IN ACCORDANCE WITH MANUFACTURERS' LITERATURE FOR INSTALLATION AND MAINTENANCE.
- DO NOT SCALE DRAWINGS. IF NO DIMENSIONS IS GIVEN REFER TO THE AUTHOR OF THE DRAWINGS.
- REFER TO STRUCTURAL DRAWINGS FOR ALL DETAILS REGARDING FOOTINGS, FOUNDATIONS, WOOD FRAME STRUCTURE AND ALL OTHER STRUCTURAL COMPONENTS OF THE BUILDING.
- REFER TO CONSULTING ENGINEERING CONSULTANTS FOR ANY ISSUES AFFECTING STRUCTURAL AND/OR GEOTECHNICAL (SOLS).
- IT IS FORBIDDEN TO REPRODUCE IN WHOLE OR IN PART THIS DOCUMENT WITHOUT THE WRITTEN PERMISSION OF THE AUTHOR. L+D ARCHITECTS OWN EXCLUSIVE COPYRIGHTS ON THIS DOCUMENT.
- NO COPY OF THIS PLAN WITHOUT THE WRITTEN CONSENT IS PERMITTED. ANY OFFENDER IS SUBJECT TO PROSECUTION. IF ADDITIONAL COPIES ARE REQUIRED, PLACE A REQUEST WITH THE ARCHITECTS. PRINTING COST WILL APPLY.
- FOUNDATION WALLS SHOULD NOT BE BACKFILLED UNTIL CONCRETE HAS REACHED ITS SPECIFIED 28 DAYS CURING STRENGTH AND STRUCTURAL FLOOR FRAMING INCLUDING PLYWOOD SUBFLOOR IS REQUIRED TO STABILIZE THE WALL PRIOR TO BACKFILL.
- REFER TO STRUCTURAL DRAWINGS FOR ALL FOUNDATION, FOOTINGS, COLUMNS, BEAMS, ETC.
- REFER TO THE MECHANICAL AND ELECTRICAL DRAWINGS FOR ALL MECHANICAL AND ELECTRICAL ELEMENTS.

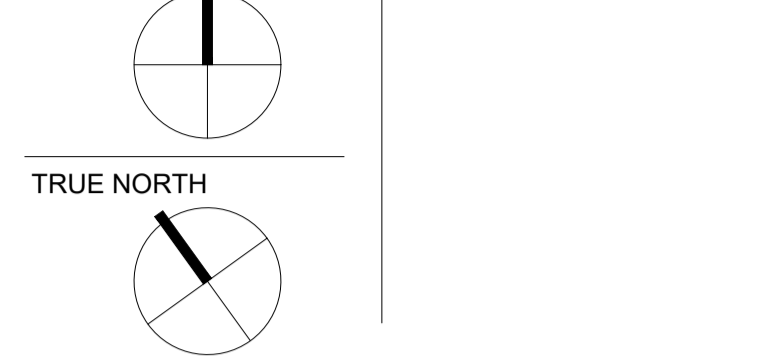


LEGEND

	DENOTES 1-HOUR FIRE-RATED PARTITION
	DENOTES STRUCTURAL MEMBERS - REFER TO STRUCTURAL
	DENOTES BULKHEAD TO ACCOMMODATE MECHANICAL DUCTING. UNDERSIDE OF BULKHEADS TO BE AT 8'-0" ABOVE FINISHED FLOOR

CLIENT

PROJECT NORTH SEAL



ARCHITECTURAL



MECHANICAL + ELECTRICAL

STRUCTURAL

CIVIL

DATE	DESCRIPTION	ISSUE	REV.
2026-05-26	ISSUED FOR REVIEW		2
2026-01-20	ISSUED FOR REVIEW		2
2025-12-11	ISSUED FOR REVIEW		1

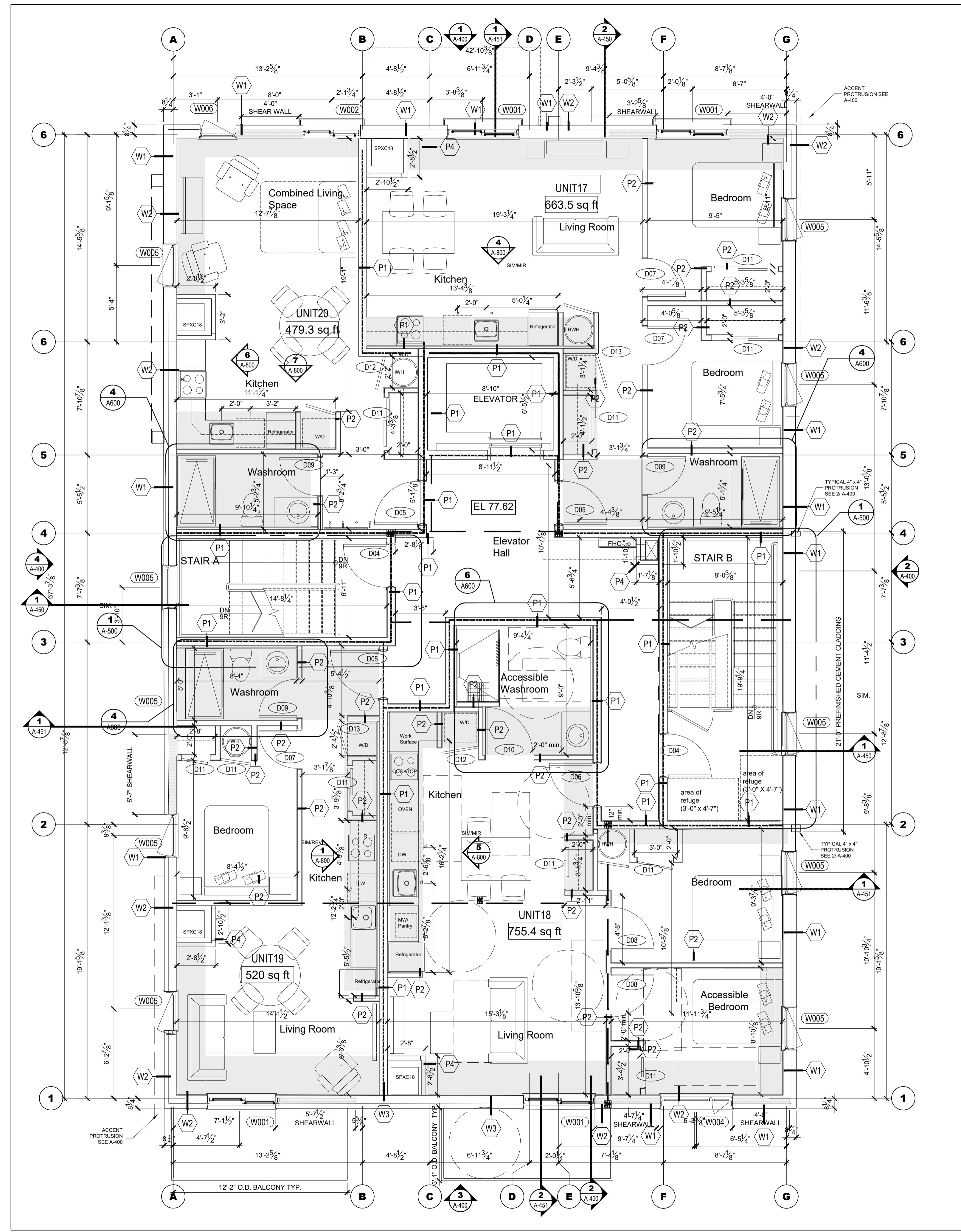
PROJECT NAME
NEMORIN
ORLEANS DEVELOPMENT - PRR2

1144 St. Pierre Street, Orleans ON

DRAWING TITLE

THIRD FLOOR PLAN

DATE 2025-12-02	PROJECT NO. 25.019
SCALE AS NOTED	
DRAWN BY MD	DRAWING NO. A-203
REVIEWED BY LCL	



1 FOURTH FLOOR PLAN
A-204 SCALE = 1/4" = 1'-0"

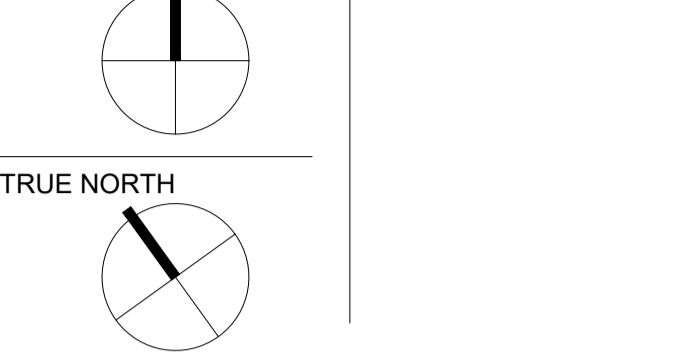
- GENERAL NOTES:**
- FOR ALL TECHNICAL ISSUE OR QUESTIONS, CONTACT THE ARCHITECT BEFORE CONTINUING THE WORK
 - THE CONTRACTOR IS RESPONSIBLE TO CONFIRM ALL DIMENSIONS AND CONDITIONS AFFECTING THE WORK SITE AND WILL BE SOLELY RESPONSIBLE FOR THE ACCURACY OF MEASUREMENTS AND OBSERVATIONS.
 - CONTRACTOR WILL REPORT ANY ERRORS, OMISSIONS OR DEFECTS TO THE ARCHITECT BEFORE THE COMMENCEMENT OF WORK. VERIFY EXISTING CONDITIONS ON SITE AND ADJUST AS NECESSARY
 - ALL WORK SHALL BE PERFORMED:
 - ALL WORK IS TO BE DONE IN ACCORDANCE WITH THE LATEST EDITION OF ONTARIO BUILDING CODE AND ALL OTHER APPLICABLE REGULATIONS.
 - IN ACCORDANCE WITH MANUFACTURERS' LITERATURE FOR INSTALLATION AND MAINTENANCE.
 - DO NOT SCALE DRAWINGS. IF NO DIMENSIONS IS GIVEN REFER TO THE AUTHOR OF THE DRAWINGS.
 - REFER TO STRUCTURAL DRAWINGS FOR ALL DETAILS REGARDING FOOTINGS, FOUNDATIONS, WOOD FRAME STRUCTURE AND ALL OTHER STRUCTURAL COMPONENTS OF THE BUILDING.
 - REFER TO CONSULTING ENGINEERING CONSULTANTS FOR ANY ISSUES AFFECTING STRUCTURAL AND/OR GEOTECHNICAL (SOILS).
 - IT IS FORBIDDEN TO REPRODUCE IN WHOLE OR IN PART THIS DOCUMENT WITHOUT THE WRITTEN PERMISSION OF THE AUTHOR. L+D ARCHITECTS OWN EXCLUSIVE COPYRIGHTS ON THIS DOCUMENT.
 - NO COPY OF THIS PLAN WITHOUT THE WRITTEN CONSENT IS PERMITTED. ANY OFFENDER IS SUBJECT TO PROSECUTION. IF ADDITIONAL COPIES ARE REQUIRED, PLACE A REQUEST WITH THE ARCHITECTS. PRINTING COST WILL APPLY.
 - FOUNDATION WALLS SHOULD NOT BE BACKFILLED UNTIL CONCRETE HAS REACHED ITS SPECIFIED 28 DAYS CURING STRENGTH AND STRUCTURAL FLOOR FRAMING INCLUDING PLYWOOD SUBFLOOR IS REQUIRED TO STABILIZE THE WALL PRIOR TO BACKFILL.
 - REFER TO STRUCTURAL DRAWINGS FOR ALL FOUNDATION, FOOTINGS, COLUMNS, BEAMS, ETC.
 - REFER TO THE MECHANICAL AND ELECTRICAL DRAWINGS FOR ALL MECHANICAL AND ELECTRICAL ELEMENTS.

LEGEND

- DENOTES 1-HOUR FIRE-RATED PARTITION
- DENOTES STRUCTURAL MEMBERS - REFER TO STRUCTURAL
- DENOTES BULKHEAD TO ACCOMMODATE MECHANICAL DUCTING. UNDERSIDE OF BULKHEADS TO BE AT 8'-0" ABOVE FINISHED FLOOR

CLIENT

PROJECT NORTH SEAL



ARCHITECTURAL

(L+D) LALANDE + DOYLE ARCHITECTS INC.
www.l+d.ca
Tel: 613.233.2900
Fax: 613.233.1008
159 Neilson Ave.
Ottawa, Ontario K1Y 0Y2

MECHANICAL + ELECTRICAL

STRUCTURAL

CIVIL

DATE	DESCRIPTION	ISSUE	REV.
2026-05-26	ISSUED FOR REVIEW	2	
2026-01-20	ISSUED FOR REVIEW	2	
2025-12-11	ISSUED FOR REVIEW	1	

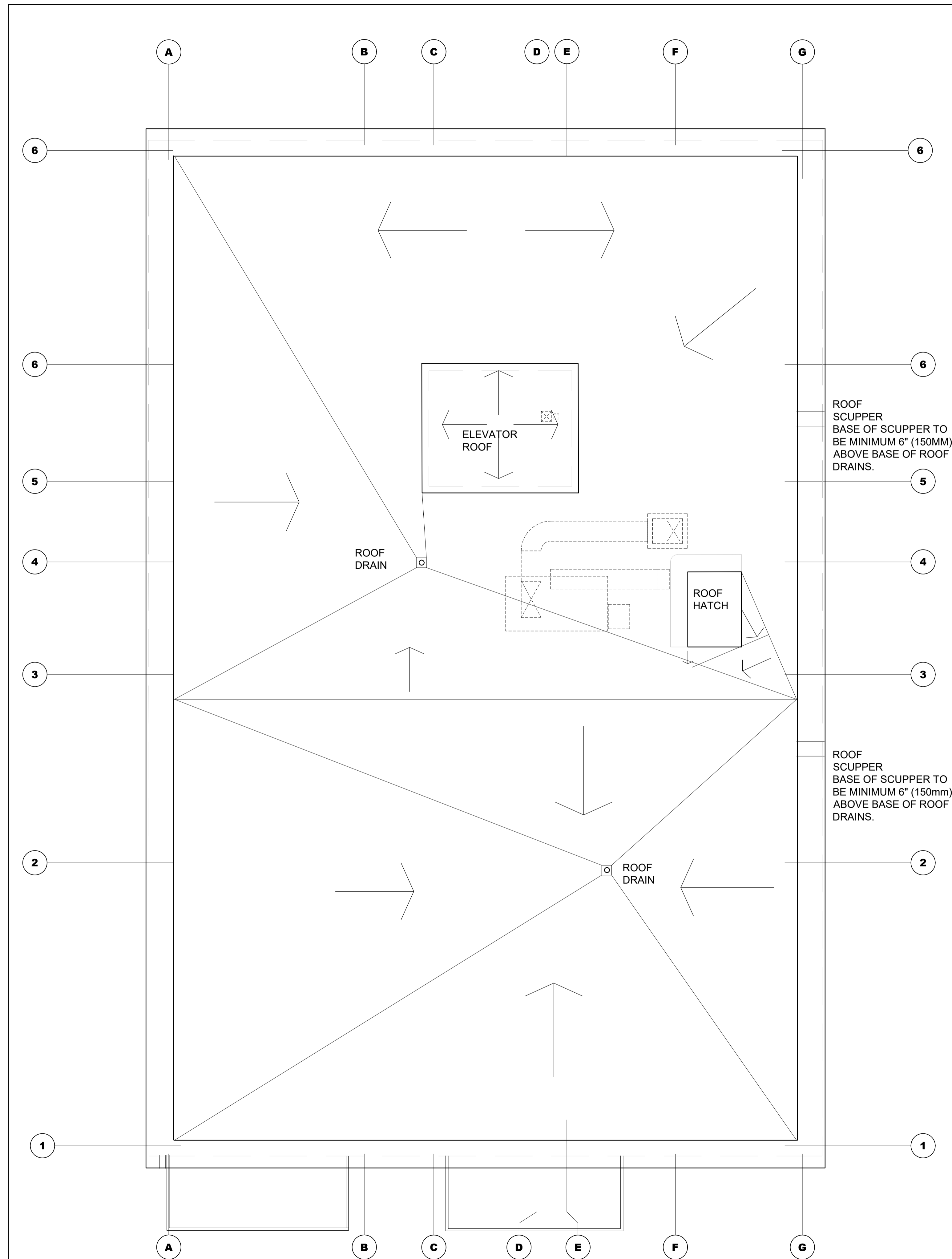
PROJECT NAME
NEMORIN ORLEANS DEVELOPMENT PRR2

1144 St. Pierre Street, Orleans, ON

DRAWING TITLE

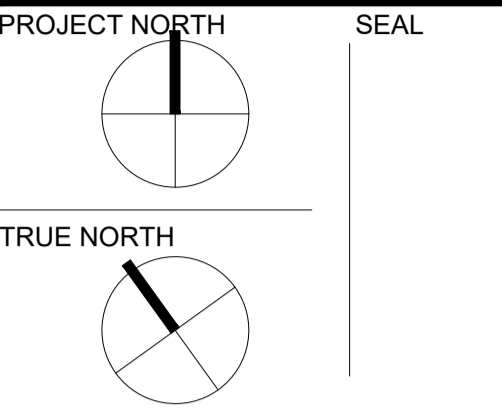
FOURTH FLOOR PLAN

DATE	PROJECT NO.
2025-12-02	25-019
SCALE	AS NOTED
DRAWN BY	DRAWING NO.
md	A-204
REVIEWED BY	LCL



1 ROOF PLAN
SCALE = 1/4" = 1'-0"

CLIENT



ARCHITECTURAL

(L+D) LALANDE + DOYLE ARCHITECTS INC.
www.l+d.ca
Tel: 613.233.2900
Fax: 613.233.1008
129 McLeod Ave
Ottawa, Ontario K1Y 0Y2

MECHANICAL + ELECTRICAL

STRUCTURAL

CIVIL

DATE	DESCRIPTION	ISSUE	REV.
2026-05-26	ISSUED FOR REVIEW		1
2025-12-11	ISSUED FOR REVIEW		1

PROJECT NAME

**NEMORIN
ORLEANS DEVELOPMENT - PRR2**

1144 St. Pierre Street, Orleans, ON

DRAWING TITLE

ROOF PLAN

DATE
2025-12-02

PROJECT NO.

25.019

SCALE
AS NOTED

DRAWN BY
MD

DRAWING NO.

A-250

REVIEWED BY
LCL