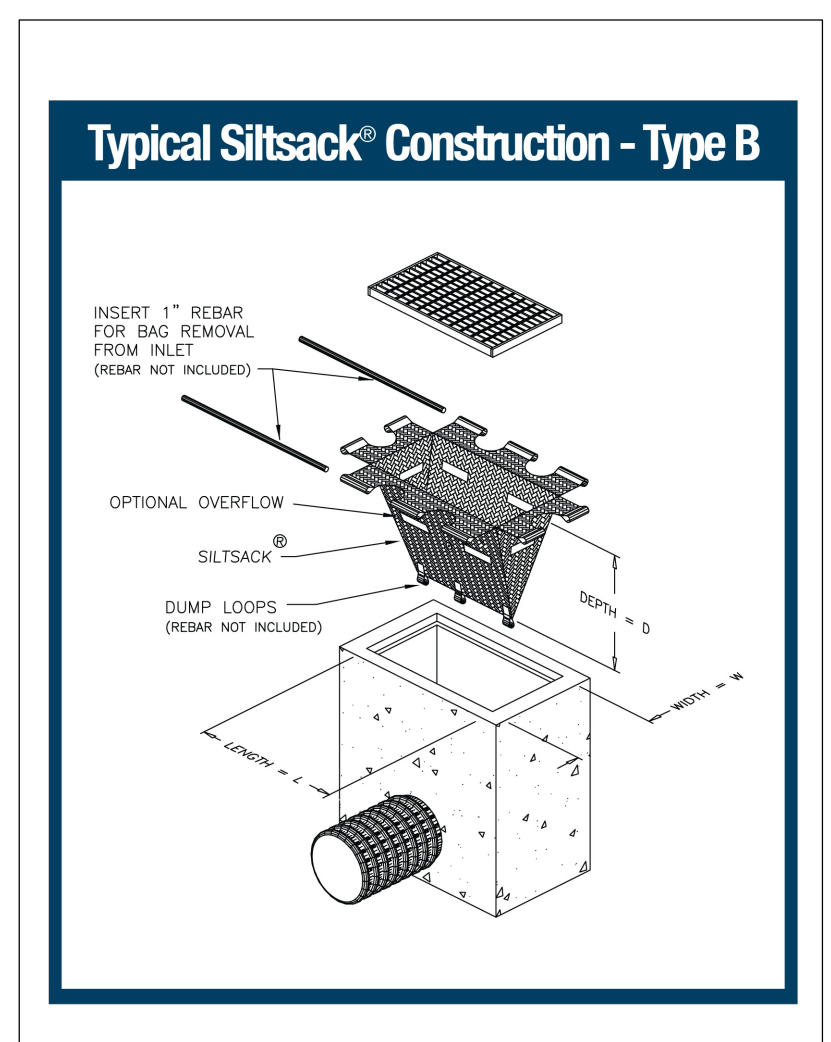




NORTH

KEY PLAN
N.T.S.

- GRAVEL SHOULDER & DRIVEWAY REMOVAL
- CLEARING, GRUBBING & VEGETATION REMOVAL
- MUD MATS (50mm - 100mm GRANULAR B. TYPE II)
- REMOVAL OF CONCRETE AND ASPHALT SIDEWALKS AND CURBS, INCLUDING PAVERS (OF ALL TYPES)
- X** REMOVALS
- LIGHT DUTY SILT FENCE PER OPSD 219.110
- TERRAFIX SILTSACKS INSTALLED AT CATCH BASIN
- EXISTING CONTOUR AND ELEVATION
- STRAW BALE FLOW CHECK PER OPSD 219.180



NOTE:
THE POSITION OF ALL POLE LINES, CONDUITS, WATERMANS, SEWERS AND OTHER UNDERGROUND AND OVERGROUND UTILITIES AND STRUCTURES IS NOT NECESSARILY SHOWN ON THE CONTRACT DRAWINGS, AND WHERE SHOWN, THE ACCURACY OF THE POSITION OF SUCH UTILITIES AND STRUCTURES IS NOT GUARANTEED. BEFORE STARTING WORK, DETERMINE THE EXACT LOCATION OF ALL SUCH UTILITIES AND STRUCTURES AND ASSUME ALL LIABILITY FOR DAMAGE TO THEM.

No.	REVISION	DATE	BY
2	ADDRESS CITY COMMENTS	APR 14/28	MAB
1	SITE PLAN APPLICATION	NOV 5/25	MAB

SCALE

1:300

FOR REVIEW ONLY

DESIGN: LRW
CHECKED: MAB
DRAWN: LPA
CHECKED: MAB
APPROVED: MAB

PROFESSIONAL ENGINEER
L.R. WILSON
100160055
PROVINCE OF ONTARIO

PROFESSIONAL ENGINEER
M.A. BISSETT
2026.04.14
PROVINCE OF ONTARIO

NOVATECH
Engineers, Planners & Landscape Architects
Suite 200, 240 Michael Cowpland Drive
Ottawa, Ontario, Canada K2M 1P6
Telephone: (613) 254-9643
Facsimile: (613) 254-5867
Website: www.novatech-eng.com

CITY OF OTTAWA
3400 WOODROFFE AVENUE

SITE REMOVALS, EROSION AND SEDIMENT CONTROL PLAN

PROJECT NO: 124147
REV: REV #2
DRAWING NO: 124147-ESC

C:\Users\124147\OneDrive\Documents\124147-ESC-Plan\PLANS\124147-ESC-Plan\124147-ESC-Plan.dwg, PLANS\124147-ESC-Plan\124147-ESC-Plan.dwg, Apr 15, 2026 - 3:29pm, bbenz

D07-12-25-0158 & D02-02-25-0090

PLAN #19422