

**LEGEND**

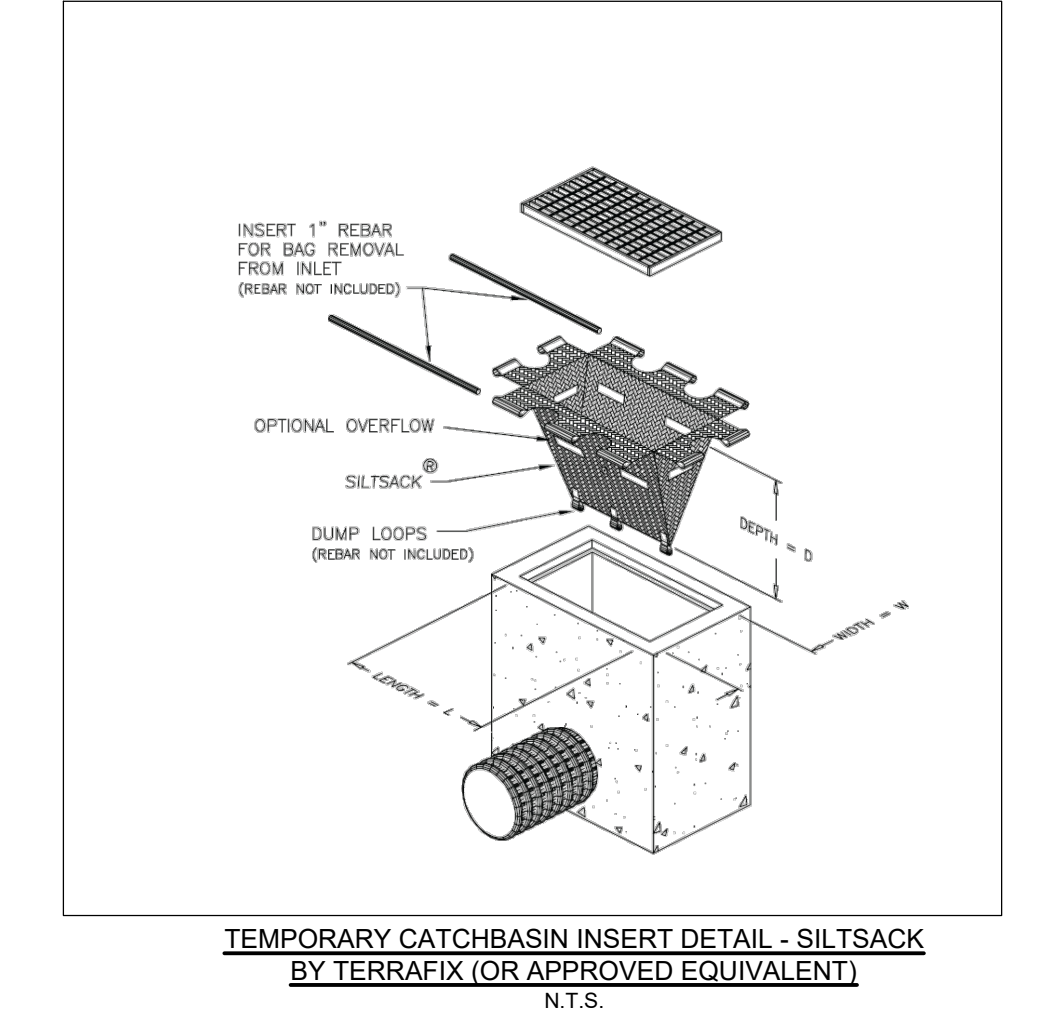
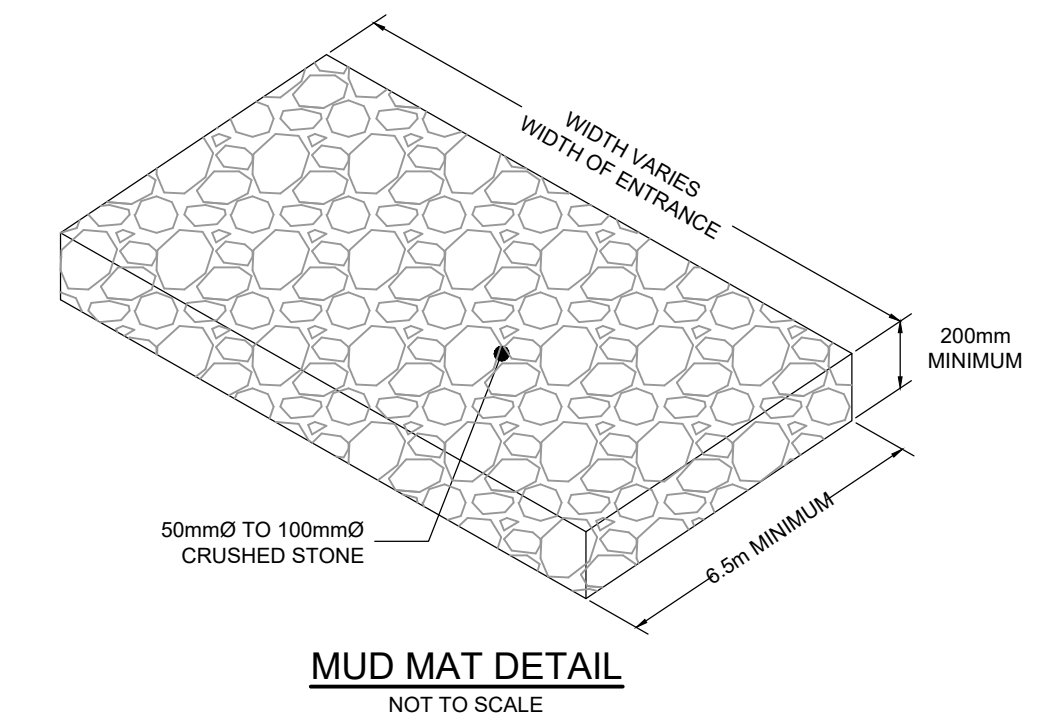
---	PROPERTY LINE	○	PROPOSED FILTER BAGS AT CATCHBASIN, CATCHBASIN MANHOLES AND TRENCHDRAINS
---	PROPOSED CURB	○	PROPOSED MUD MAT
DC	PROPOSED DEPRESSED CURB	○	LIGHT DUTY SILT FENCE (OPSD 219.110)
---	PROPOSED RETAINING WALL CW GUARD RAIL	○	EXISTING STORM MANHOLE
○	PROPOSED CAP	○	EXISTING CATCHBASIN
---	PROPOSED STORM SEWER AND MANHOLE	○	EXISTING LIGHT STANDARD
○	PROPOSED CATCHBASIN MANHOLE	○	EXISTING FENCE
○	PROPOSED CATCHBASIN	○	EXISTING ROAD SIGNAGE
○	PROPOSED LANDSCAPE DRAIN		
---	PROPOSED AREA DRAIN		
---	PROPOSED TRENCH DRAIN		
---	PROPOSED BUILDING ENTRANCE		
---	SHALE 6% SUBDRAIN AND DIRECTION OF FLOW		
---	TERRACING 3:1 SLOPE MAX (UNLESS OTHERWISE INDICATED)		

**EROSION AND SEDIMENT CONTROL NOTES:**

- THE CONTRACTOR SHALL IMPLEMENT BEST MANAGEMENT PRACTICES, TO PROVIDE FOR PROTECTION OF THE AREA DRAINAGE SYSTEM AND THE RECEIVING WATERCOURSE, DURING CONSTRUCTION ACTIVITIES. THE CONTRACTOR ACKNOWLEDGES THAT FAILURE TO IMPLEMENT APPROPRIATE EROSION AND SEDIMENT CONTROL MEASURES MAY BE SUBJECT TO PENALTIES IMPOSED BY ANY APPLICABLE REGULATORY AGENCY.
- 1) THE OWNER AGREES TO PREPARE AND IMPLEMENT AN EROSION AND SEDIMENT CONTROL PLAN TO THE SATISFACTION OF THE CITY OF OTTAWA, APPROPRIATE TO THE SITE CONDITIONS. PRIOR TO UNDERTAKING ANY SITE ALTERATIONS (FILLING, GRADING, REMOVAL OF VEGETATION, ETC.) AND DURING ALL PHASES OF SITE PREPARATION AND CONSTRUCTION IN ACCORDANCE WITH THE CURRENT BEST MANAGEMENT PRACTICES FOR EROSION AND SEDIMENT CONTROL SUCH AS BUT NOT LIMITED TO INSTALLING FILTER CLOTHS ACROSS MANHOLE/CATCHBASIN LIDS TO PREVENT SEDIMENTS FROM ENTERING STRUCTURES AND INSTALL AND MAINTAIN A LIGHT DUTY SILT FENCE BARRIER AS REQUIRED.
  - 2) THE CONTRACTOR SHALL PLACE FILTER BAGS UNDER THE CATCHBASIN AND MANHOLE GRATES FOR THE DURATION OF CONSTRUCTION AND WILL REMAIN IN PLACE DURING ALL PHASES OF CONSTRUCTION.
  - 3) SILT FENCING FOR ENTIRE PERIMETER OF SITE, SHALL BE UTILIZED TO CONTROL EROSION FROM THE SITE DURING CONSTRUCTION.
  - 4) THE CONTRACTOR ACKNOWLEDGES THAT FAILURE TO IMPLEMENT EROSION AND SEDIMENT CONTROL MEASURES MAY BE SUBJECT TO PENALTIES IMPOSED BY ANY APPLICABLE REGULATORY AGENCY.
  - 5) PROVIDE MUD MATS AT ALL CONSTRUCTION ACCESS POINTS TO MINIMIZE SEDIMENT TRANSPORT OFFSITE.
  - 6) EROSION AND SEDIMENT CONTROL MEASURES MAY BE MODIFIED IN THE FIELD AT THE DISCRETION OF THE CITY OF OTTAWA SITE INSPECTOR OR CONSERVATION AUTHORITY.

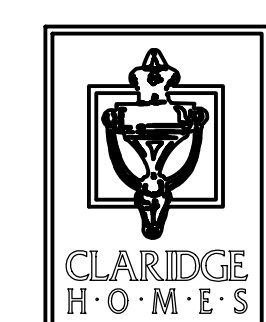
*Andrew McCreight*  
**ANDREW MCCREIGHT**  
 MANAGER, DEVELOPMENT REVIEW CENTRAL  
 PLANNING, DEVELOPMENT & BUILDING SERVICES  
 DEVELOPMENT DEPARTMENT, CITY OF OTTAWA

**APPROVED**  
 By Andrew McCreight at 8:17 am, May 04, 2026

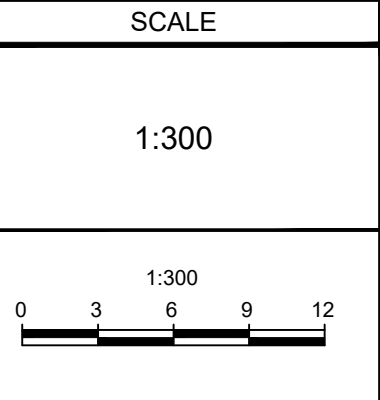


NOTE:  
 THE POSITION OF ALL POLE LINES, CONDUITS, WATERMANS, SEWERS AND OTHER UNDERGROUND AND OVERGROUND UTILITIES AND STRUCTURES IS NOT NECESSARILY SHOWN ON THE CONTRACT DRAWINGS, AND WHERE SHOWN, THE ACCURACY OF THE POSITION OF SUCH UTILITIES AND STRUCTURES IS NOT GUARANTEED. BEFORE STARTING WORK, DETERMINE THE EXACT LOCATION OF ALL SUCH UTILITIES AND STRUCTURES AND ASSUME ALL LIABILITY FOR DAMAGE TO THEM.

**CLARIDGE HOMES**  
 CLARIDGE HOMES  
 505 PRESTON STREET,  
 OTTAWA, ONTARIO  
 K1S 4N7.



No.	REVISION	DATE	BY
6.	REVISED PER CITY COMMENTS	JUL 29/25	GJM
5.	REVISED DRAINAGE CATCHMENTS	JUNE 23/25	GJM
4.	REVISED PER CITY COMMENTS	JUNE 12/25	GJM
3.	SUPPORT SPC SUBMISSION	MAR 07/25	GJM
2.	MUNICIPAL CONSENT APPLICATION	MAY 06/24	GJM
1.	PART LOT CONTROL APPLICATION	FEB 01/24	GJM



DESIGN: ARM/CJF  
 CHECKED: ARM  
 DRAWN: ARM/CJF  
 CHECKED: ARM  
 APPROVED: GJM

**C. J. FERGUSON**  
 105561714  
 JUN 09, 2025  
 PROVINCE OF ONTARIO

**G. J. MacDONALD**  
 JUN 09, 2025  
 PROVINCE OF ONTARIO

**NOVATECH**  
 Engineers, Planners & Landscape Architects  
 Suite 200, 240 Michael Cowpland Drive  
 Ottawa, Ontario, Canada K2M 1P6  
 Telephone: (613) 254-9643  
 Facsimile: (613) 254-5867  
 Website: www.novatech-eng.com

LOCATION  
 CITY OF OTTAWA  
 137, 141 GEORGE ST, 110, 116 YORK ST, AND 321, 325 DALHOUSIE ST

DRAWING NAME  
**EROSION AND SEDIMENT CONTROL PLAN (YORK)**

PROJECT No. 112142  
 REV 112142-ESC-Y  
 REV # 6

DRAWING No. 112142-ESC-Y

M:\2025\112142-ESC-Y\112142-ESC-Y.dwg, ESC\_Y.dwg, July 17, 2025, 1:28pm, dferguson

#19235