

GENERAL NOTES:

- COORDINATE AND SCHEDULE ALL WORK WITH OTHER TRADES AND CONTRACTORS.
- DETERMINE THE EXACT LOCATION, SIZE, MATERIAL AND ELEVATION OF ALL EXISTING UTILITIES PRIOR TO COMMENCING CONSTRUCTION. PROTECT AND ASSUME RESPONSIBILITY FOR ALL EXISTING UTILITIES, WHETHER OR NOT SHOWN ON THIS DRAWING.
- OBTAIN ALL NECESSARY PERMITS AND APPROVALS FROM THE CITY OF OTTAWA BEFORE COMMENCING CONSTRUCTION.
- BEFORE COMMENCING CONSTRUCTION OBTAIN AND PROVIDE PROOF OF COMPREHENSIVE, ALL RISK AND OPERATIONAL LIABILITY INSURANCE FOR \$5,000,000.00. INSURANCE POLICY TO NAME OWNERS, ENGINEERS AND ARCHITECTS AS CO-INSURED.
- RESTORE ALL DISTURBED AREAS ON-SITE AND OFF-SITE, INCLUDING TRENCHES AND SURFACES ON PUBLIC ROAD ALLOWANCES TO EXISTING CONDITIONS OR BETTER TO THE SATISFACTION OF MUNICIPAL AUTHORITIES.
- REMOVE FROM SITE ALL EXCESS EXCAVATED MATERIAL, ORGANIC MATERIAL AND DEBRIS UNLESS OTHERWISE INSTRUCTED BY ENGINEER. EXCAVATE AND REMOVE FROM SITE ANY CONTAMINATED MATERIAL. ALL CONTAMINATED MATERIAL SHALL BE DISPOSED OF AT A LICENSED LANDFILL FACILITY.
- ALL ELEVATIONS ARE GEODETIC AND UTILIZE METRIC UNITS.
- REFER TO GEOTECHNICAL INVESTIGATION REPORT PG4592-1.5510 DATED SEPTEMBER 10, 2018 PREPARED BY PATTERSON GROUP INC. FOR SUBSURFACE CONDITIONS. CONSTRUCTION RECOMMENDATIONS AND GEOTECHNICAL INSPECTION REQUIREMENTS. THE GEOTECHNICAL CONSULTANT IS TO REVIEW ON-SITE CONDITIONS AFTER EXCAVATION PRIOR TO PLACEMENT OF THE GRANULAR MATERIAL.
- REFER TO ARCHITECTS' AND LANDSCAPE ARCHITECTS' DRAWINGS FOR BUILDING AND HARD SURFACE AREAS AND DIMENSIONS.
- REFER TO THE STORMWATER MANAGEMENT REPORT No. R-2024-095, DATED NOVEMBER 14, 2025 PREPARED BY NOVATECH.
- SAW CUT AND KEYGRIND ASPHALT AT ALL ROAD CUTS AND GENERAL TIE IN POINTS AS PER CITY OF OTTAWA STANDARDS (R10 AND R25).
- CONTRACTOR TO PROVIDE THE CONSULTANT WITH A GENERAL PLAN OF SERVICES INDICATING ALL SERVICING AS-BUILT INFORMATION. AS-BUILT INFORMATION MUST INCLUDE: PIPE MATERIAL, SIZES, LENGTHS, SLOPES, INVERT AND TIG ELEVATIONS, STRUCTURE LOCATIONS, VALVE AND HYDRANT LOCATION, TWM ELEVATIONS AND ANY ALIGNMENT CHANGES, ETC. AND A GRADING PLAN INDICATING ALL AS-BUILT SURFACE ELEVATIONS AND SLOPES.

GRADING NOTES:

- ALL TOPSOIL, ORGANIC OR DELETERIOUS MATERIAL MUST BE ENTIRELY REMOVED FROM BENEATH THE PROPOSED BUILDING AND PAVED AREAS.
- EXPOSED SUBGRADES IN PROPOSED PAVED AREAS SHOULD BE PROOF ROLLED WITH A LARGE STEEL DRUM ROLLER AND ANY SOFT AREAS EVIDENT FROM THE PROOF ROLLING SHOULD BE SUBGRADED AND REPLACED WITH SUITABLE MATERIAL THAT IS FROST COMPATIBLE WITH THE EXISTING SOILS.
- THE PAVEMENT GRANULAR BASE AND SUBBASE SHOULD BE PLACED IN MAXIMUM 300mm THICK LIFTS AND COMPACTED TO A MINIMUM OF 98% OF THE MATERIAL'S STANDARD PROCTOR MAXIMUM DRY DENSITY VALUE.
- ALL CURBS AND SIDEWALKS TO BE BUILT AS PER CITY OF OTTAWA DETAIL DRAWINGS SC1.4 AND SC4.
- GRADE AND/OR FILL BEHIND PROPOSED CURB AND BETWEEN BUILDINGS AND CURBS, WHERE REQUIRED TO PROVIDE POSITIVE DRAINAGE.
- MINIMUM OF 2% GRADE FOR ALL GRASS AREAS UNLESS OTHERWISE NOTED.
- MAXIMUM TERRACING GRADE TO BE 3:1 UNLESS OTHERWISE NOTED.
- ALL GRADES BY CURBS ARE EDGE OF PAVEMENT GRADES UNLESS OTHERWISE INDICATED.
- REFER TO LANDSCAPE PLAN FOR PLANTING AND OTHER LANDSCAPE FEATURE DETAILS.
- CONTRACTOR TO PROVIDE THE CONSULTANT WITH A GRADING PLAN INDICATING THE AS-BUILT ELEVATION OF EVERY DESIGN GRADE SHOWN ON THIS PLAN.

WATERMAIN NOTES:

- SUPPLY AND CONSTRUCT ALL WATERMAIN AND APPURTENANCES IN ACCORDANCE WITH THE MOST CURRENT CITY OF OTTAWA STANDARDS AND SPECIFICATIONS.
- SPECIFICATIONS:

ITEM	SPEC. NO.	REFERENCE
WATERMAIN TRENCHING	W17	CITY OF OTTAWA
THERMAL INSULATION IN SHALLOW TRENCHES	W22	CITY OF OTTAWA
THERMAL INSULATION BY OPEN STRUCTURES	W23	CITY OF OTTAWA
WATERMAIN	PEX SDR 9	
- SUPPLY AND CONSTRUCT ALL WATERMANS AND APPURTENANCES IN ACCORDANCE WITH THE CITY OF OTTAWA STANDARD AND SPECIFICATIONS. EXCAVATION, INSTALLATION, BACKFILL AND RESTORATION OF ALL WATERMANS BY THE CONTRACTOR. CONNECTIONS AND SHUT-OFFS AT THE MAIN AND ORIGINATOR OF THE WATER SYSTEM SHALL BE PERFORMED BY CITY OFFICIALS.
- WATERMAIN SHALL BE MINIMUM 2.4m DEPTH BELOW GRADE UNLESS OTHERWISE INDICATED.
- PROVIDE MINIMUM 0.5m CLEARANCE BETWEEN OUTSIDE OF PIPES AT ALL CROSSINGS.
- WATER SERVICE IS TO BE CONSTRUCTED TO WITHIN 1.0m OF FOUNDATION WALL AND CAPPED, UNLESS OTHERWISE INDICATED.

SEWER NOTES:

- SUPPLY AND CONSTRUCT ALL SEWERS AND APPURTENANCES IN ACCORDANCE WITH THE MOST CURRENT CITY OF OTTAWA STANDARDS AND SPECIFICATION.
- SPECIFICATIONS:

ITEM	SPEC. NO.	REFERENCE
CATCHBASIN (600x500mm)	705.010	OPSD
SANITARY/STORM/CATCHBASIN MANHOLE (12000)	701.010	OPSD
STORM MANHOLE (15000)	701.011	OPSD
STORM/SANITARY MAN FRAME	526	CITY OF OTTAWA
STORM COVER (OPEN)	S28.1	CITY OF OTTAWA
STORM SEWER < 450mmØ	PVC DR 35 (UNLESS SPECIFIED OTHERWISE)	
STORM SEWER > 450mmØ	CONC (60) (UNLESS SPECIFIED OTHERWISE)	
SANITARY SEWER	PVC DR 35	
CATCHBASIN LEAD	PVC DR 35	
PIPE INSULATION	S35	
- SERVICES ARE TO BE CONSTRUCTED TO 1.0m FROM THE FACE OF BUILDING AT A MINIMUM SLOPE OF 1.0%.
- ALL STORM AND SANITARY LATERALS SHALL BE EQUIPPED WITH BACKFLOW PREVENTION DEVICES AS PER THE CITY OF OTTAWA STANDARD DETAILS S14 AND S14.1 & S14.2.
- PIPE BEDDING, COVER AND BACKFILL ARE TO BE COMPACTED TO AT LEAST 95% OF THE STANDARD PROCTOR MAXIMUM DRY DENSITY. THE USE OF CLEAR CRUSHED STONE AS A BEDDING LAYER SHALL NOT BE PERMITTED.
- FLEXIBLE CONNECTIONS ARE REQUIRED FOR CONNECTING PIPES TO MANHOLES (FOR EXAMPLE KOR-N-SEAL, PSX POSITIVE SEAL AND DURASEAL). THE CONCRETE CRADLE FOR THE PIPE CAN BE ELIMINATED.
- ALL STORM MANHOLES MANHOLES WITH PIPE SIZES LESS THAN 900mm ARE TO HAVE 300mm SLUMPS UNLESS OTHERWISE INDICATED. ALL STORM MANHOLES WITH PIPE SIZES 900mm AND LARGER ARE TO BE BENCHED.
- CONTRACTOR TO TELEVISION (CCTV) ALL PROPOSED SEWERS 200mm OR GREATER IN DIAMETER PRIOR TO BASE COURSE ASPHALT TO ENSURE THAT THEY ARE CLEAN AND OPERATIONAL. UPON COMPLETION OF CONTRACT, THE CONTRACTOR IS RESPONSIBLE TO FLUSH AND CLEAN ALL SEWERS & APPURTENANCES AND RE CCTV PRIOR TO ACCEPTANCE. OBTAIN APPROVAL FROM THE CITY'S SEWER OPERATIONS. PROVIDE THE CCTV INSPECTION AND REPORT TO THE ENGINEER FOR REVIEW AND APPROVAL.
- CONTRACTOR TO PROVIDE THE CONSULTANT WITH A GENERAL PLAN OF SERVICES INDICATING ALL APPLICABLE SERVICING AS-BUILT INFORMATION SHOWN ON THIS PLAN. AS-BUILT INFORMATION MUST INCLUDE: PIPE MATERIAL, SIZES, LENGTHS, SLOPES, INVERT AND TIG ELEVATIONS, STRUCTURE LOCATIONS AND ANY ALIGNMENT CHANGES, ETC.
- THE OWNER SHALL REQUIRE THAT THE SITE SERVICING CONTRACTOR PERFORM FIELD TESTS FOR QUALITY CONTROL OF ALL SANITARY SEWERS. LEAKAGE TESTING SHALL BE COMPLETED IN ACCORDANCE WITH OPSD 410.07.16, 410.07.16.04 AND 407.07.24. DYE TESTING IS TO BE COMPLETED ON ALL SANITARY SERVICES TO CONFIRM PROPER CONNECTION TO THE SANITARY SEWER MAIN. THE FIELD TESTS SHALL BE PERFORMED IN THE PRESENCE OF A CERTIFIED PROFESSIONAL ENGINEER WHO SHALL SUBMIT A CERTIFIED COPY OF THE TEST RESULTS.
- INSULATE ALL STORM SEWERS THAT HAVE LESS THAN 1.5m COVER PER INSULATION DETAIL FOR SHALLOW SEWERS. PROVIDE 150mm CLEARANCE BETWEEN PIPE AND INSULATION.
- ALL CATCHBASINS IN THE PARKING AREA ARE TO BE PROVIDED WITH MINIMUM 3 METER LONG PERFORATED SUBDRAINS EXTENDING IN FOUR ORTHOGONAL DIRECTIONS AT THE SUBGRADE LEVEL. SUBDRAIN IS TO BE PROVIDED AT THE TRANSITIONS BETWEEN DIFFERENT PAVEMENT COMPOSITIONS. THE SUBGRADE SURFACE SHOULD BE SHAPED TOWARDS THE CATCHBASINS TO PROMOTE DRAINAGE OF THE GRANULAR BASE.
- PERIMETER SUBDRAINS SHALL BE PROVIDED LONGITUDINALLY AROUND THE PARKING AREA ALONG CURBS PER GEOTECHNICAL RECOMMENDATION.

EROSION AND SEDIMENT CONTROL NOTES:

- THE CONTRACTOR SHALL IMPLEMENT BEST MANAGEMENT PRACTICES DURING CONSTRUCTION ACTIVITIES TO PROTECT THE STORM DRAINAGE SYSTEM AND THE DOWNSTREAM RECEIVING WATERCOURSE(S). THIS INCLUDES LIMITING THE AMOUNT OF EXPOSED SOIL, USING FILTER BAGS UNDER THE GRATES OF CATCHBASINS AND MANHOLES AND INSTALLING SILT FENCES AND OTHER EFFECTIVE SEDIMENT TRAPS.
- ALL EROSION AND SEDIMENT CONTROLS ARE TO BE INSTALLED TO THE SATISFACTION OF THE ENGINEER AND THE CITY OF OTTAWA. THEY ARE TO BE APPROPRIATE TO THE SITE CONDITIONS, PRIOR TO UNDERTAKING ANY SITE ALTERATIONS (FILLING, GRADING, REMOVAL OF VEGETATION, ETC.) AND DURING ALL PHASES OF SITE PREPARATION AND CONSTRUCTION. THESE PRACTICES ARE TO BE IMPLEMENTED IN ACCORDANCE WITH THE CURRENT BEST MANAGEMENT PRACTICES FOR EROSION AND SEDIMENT CONTROL AND SHOULD INCLUDE AS A MINIMUM THOSE MEASURES INDICATED ON THE PLAN.
- TO PREVENT SURFACE EROSION FROM ENTERING ANY DITCH OR STORM SEWER SYSTEM DURING CONSTRUCTION, FILTER BAGS WILL BE PLACED UNDER GRATES OF CATCHBASINS AND STRUCTURES. A LIGHT DUTY SILT FENCE BARRIER WILL ALSO BE INSTALLED AROUND THE CONSTRUCTION AREA. THESE CONTROL MEASURES ARE TO REMAIN IN PLACE UNTIL VEGETATION HAS BEEN ESTABLISHED AND CONSTRUCTION IS COMPLETE.
- THE SEDIMENT CONTROL MEASURES SHALL ONLY BE REMOVED WHEN, IN THE OPINION OF THE ENGINEER, THE MEASURES ARE NO LONGER REQUIRED. NO CONTROL MEASURES MAY BE PERMANENTLY REMOVED WITHOUT PRIOR AUTHORIZATION FROM THE ENGINEER.
- THE CONTRACTOR SHALL IMMEDIATELY REPORT TO THE ENGINEER ANY ACCIDENTAL DISCHARGES OF SEDIMENT MATERIAL INTO ANY DITCH OR STORM SEWER SYSTEM. APPROPRIATE RESPONSE MEASURES, INCLUDING ANY REPAIRS TO EXISTING CONTROL MEASURES OR THE IMPLEMENTATION OF ADDITIONAL CONTROL MEASURES, SHALL BE CARRIED OUT BY THE CONTRACTOR WITHOUT DELAY.
- THE CONTRACTOR ACKNOWLEDGES THAT FAILURE TO IMPLEMENT EROSION AND SEDIMENT CONTROL MEASURES MAY BE SUBJECT TO PENALTIES IMPOSED BY ANY APPLICABLE REGULATORY AGENCY.
- ROADWAYS ARE TO BE SWEEP AS REQUIRED OR AS DIRECTED BY THE ENGINEER AND/OR MUNICIPALITY.
- THE CONTRACTOR SHALL ENSURE PROPER DUST CONTROL IS PROVIDED WITH THE APPLICATION OF WATER (AND IF REQUIRED, CALCIUM CHLORIDE) DURING DRY PERIODS.
- THE PROPOSED PERIMETER SWALE IS TO BE TREATED WITH TOPSOIL, HYDROSEED AND MULCH AS SOON AS IS PRACTICAL AFTER CONSTRUCTION OF THE SWALE.
- THE EROSION SEDIMENT CONTROL PLAN IS TO BE CONSIDERED A "LIVING DOCUMENT" WHICH MAY BE MODIFIED IN THE EVENT THAT THE CONTROL MEASURES ARE INSUFFICIENT.
- PROVIDE REGULAR MAINTENANCE TO THE EROSION AND SEDIMENT CONTROL MEASURES DURING CONSTRUCTION. CONTRACTOR SHALL BE RESPONSIBLE FOR ENSURING THAT THE EROSION AND SEDIMENT CONTROL MEASURES ARE MAINTAINED AND WILL MONITOR THE WATER CLARITY DOWNSTREAM OF THE WORK SITE THROUGHOUT THE DAY AND DURING RAIN EVENTS. WATER QUALITY IS TO MEET THE CANADIAN WATER QUALITY GUIDELINES FOR THE PROTECTION OF AQUATIC LIFE. MONITORING FOR VISIBLE PLUMES OUTSIDE OF THE WORK AREA IS TO BE UNDERTAKEN.
- SUSPEND ACTIVITIES THAT CAUSE MUDDY ENVIRONMENTS DURING PERIODS OF HEAVY RAINS.
- ANY STOCKPILES OF SOIL OR FILL MATERIAL WILL BE STORED AS FAR AS POSSIBLE FROM THE FISH HABITAT OR CHANNELS LEADING TO FISH HABITAT (MINIMUM 30 M).
- THE EROSION CONTROL MEASURES WILL NOT BE REMOVED UNTIL THE BANKS ARE STABILIZED (I.E., <20% EXPOSED SOIL).
- WHERE BANKS/RIPARIAN AREA (AREA WITHIN 30 M OF CHANNEL) HAVE BEEN STABILIZED BY SEEDING AND/OR PLANTING, MONITOR THE REVEGETATION TO ENSURE THAT THE VEGETATION BECOMES FULLY ESTABLISHED (AT LEAST 80% COVER REQUIRED).
- WHERE POSSIBLE, LIMB CLEARING OF VEGETATION TO TRIMMING AND LEAVE THE STUMP AND LOWER 60 CM OF THE TREE TRUNK IN PLACE (FOR SHORELINE STABILIZATION).
- ONCE WORK IS COMPLETED, STABILIZE USING NATIVE VEGETATION, WHERE POSSIBLE. THIS SHOULD INCLUDE NATIVE TREES AND SHRUBS AS PER THE LANDSCAPING PLAN (TO BE DEVELOPED AT DETAILED DESIGN).

PAVEMENT STRUCTURES:

- LIGHT DUTY (CAR PARKING AREAS ONLY)**
- 50mm HLL OR SUPERPAVE 2.5
 - 150mm GRAN "A"
 - 300mm GRAN "B" TYPE II
 - SUBGRADE - Either fill, in situ soil, or OPSS Granular B Type I or II material placed over in situ soil or fill
- HEAVY DUTY (ACCESS LANES AND HEAVY TRUCK PARKING)**
- 40mm HLL OR SUPERPAVE 12.5
 - 50mm HLL OR SUPERPAVE 19.0
 - 150mm GRAN "A"
 - 450mm GRAN "B" TYPE II
 - SUBGRADE - Either fill, in situ soil, or OPSS Granular B Type I or II material placed over in situ soil or fill

ACCEPTABLE FILL MATERIALS: STORMTECH DC-780 CHAMBER SYSTEMS

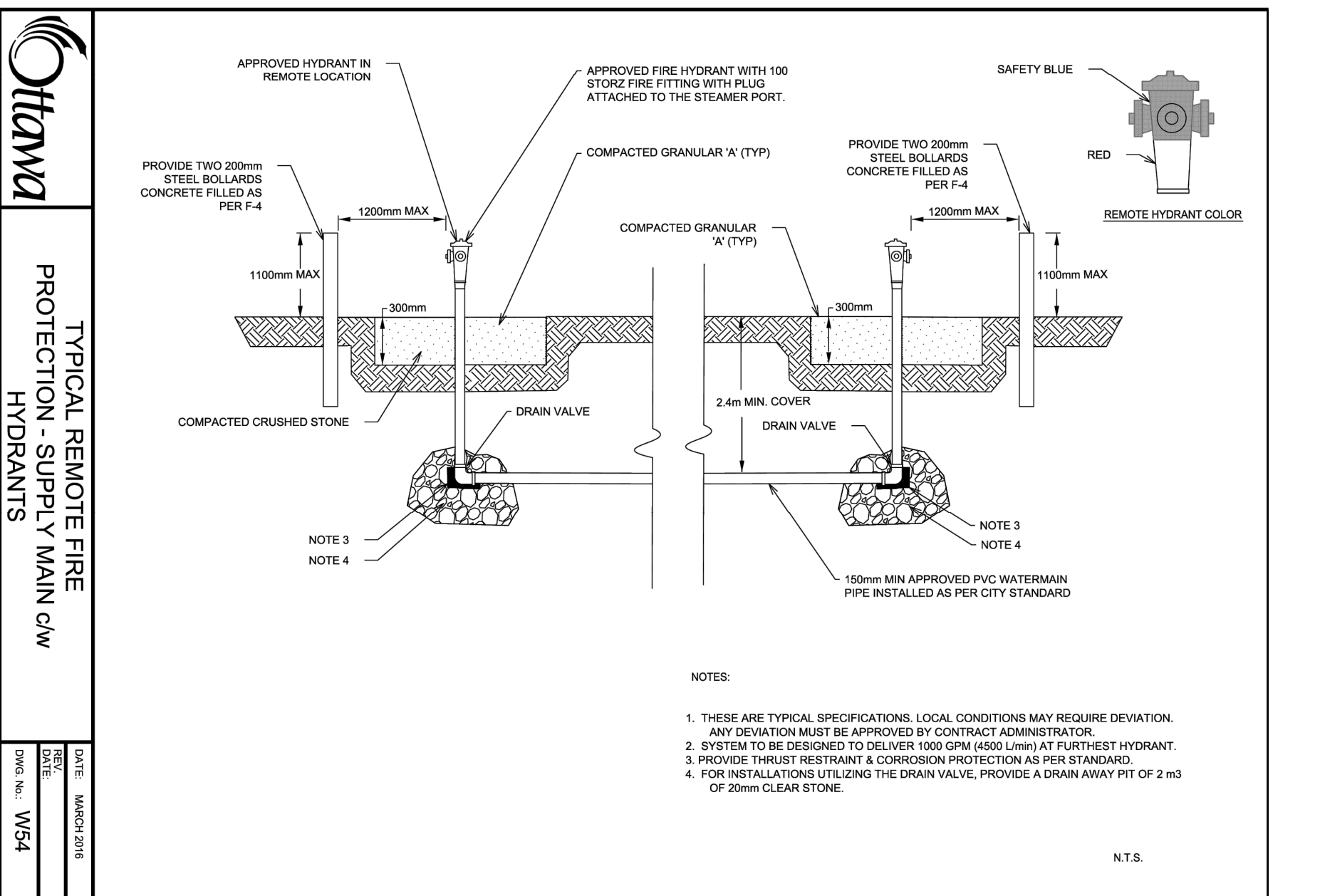
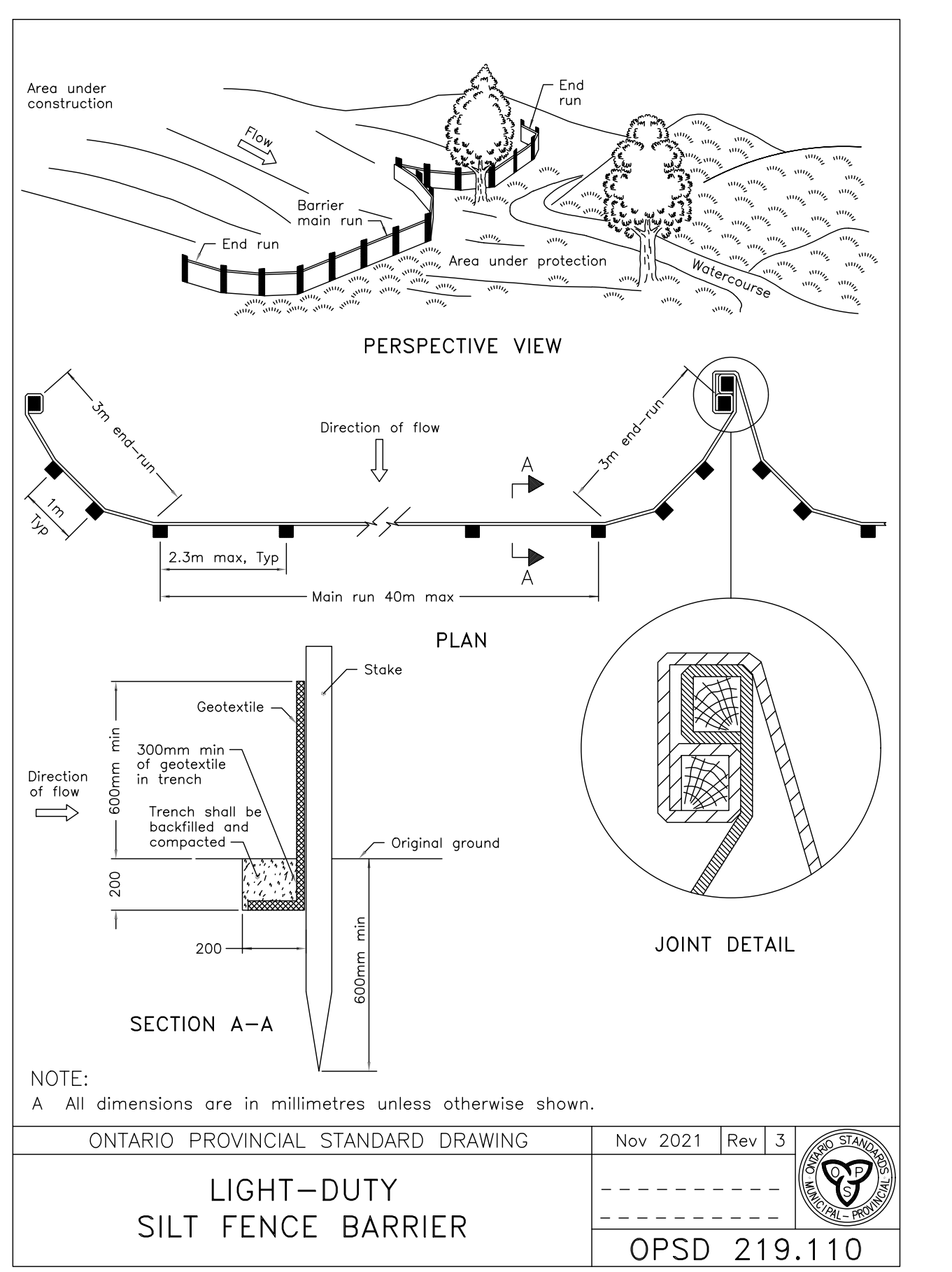
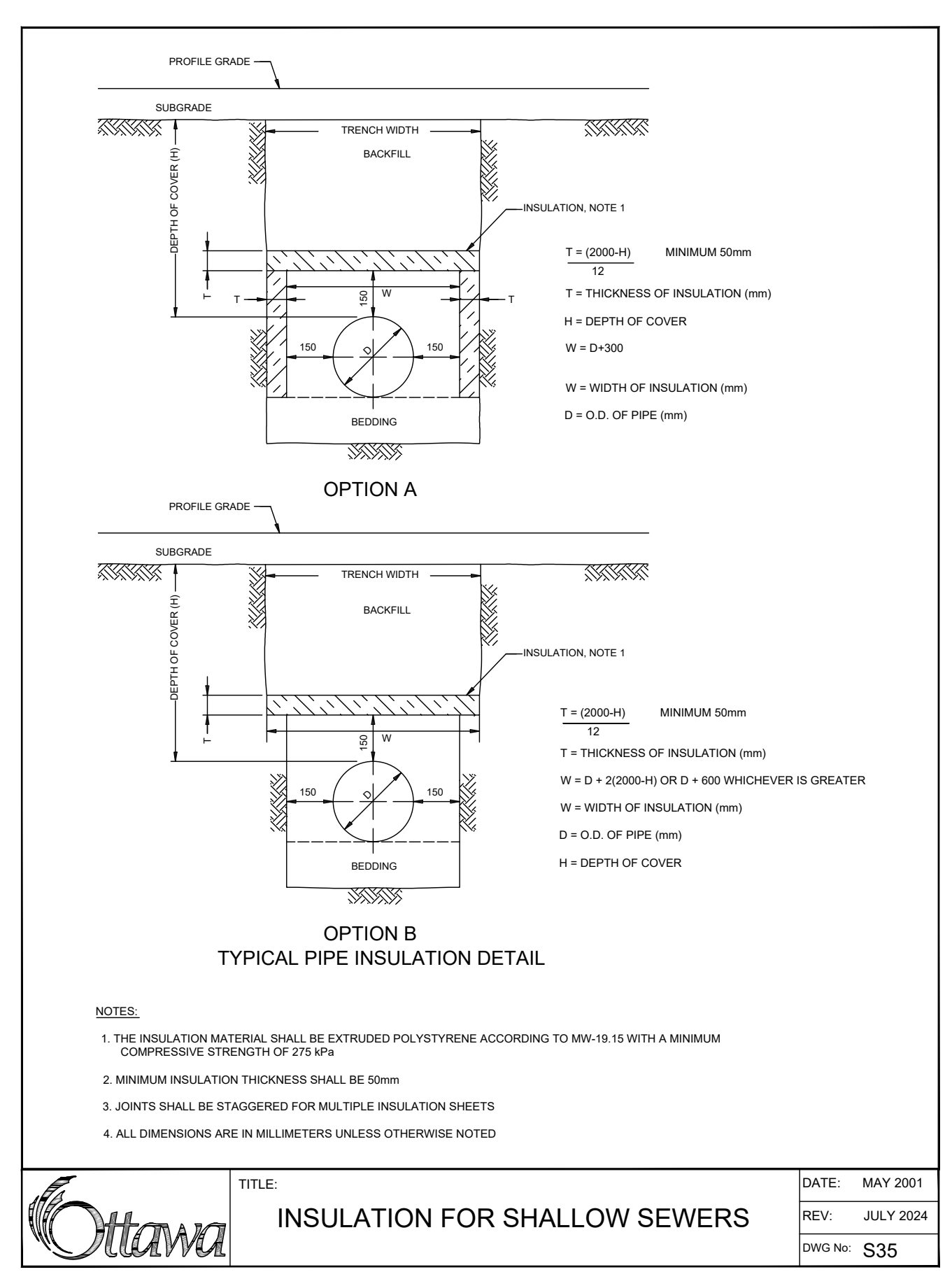
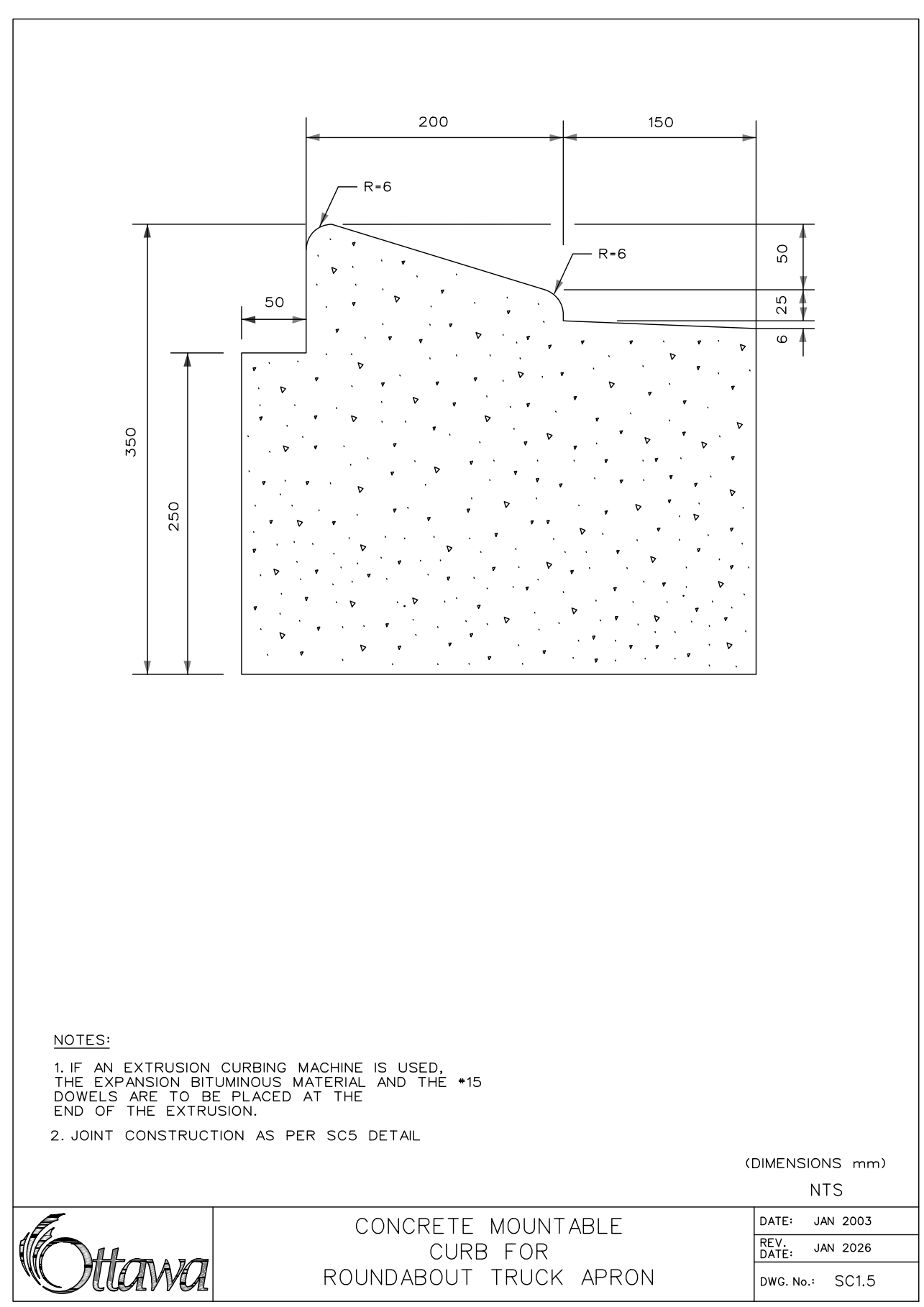
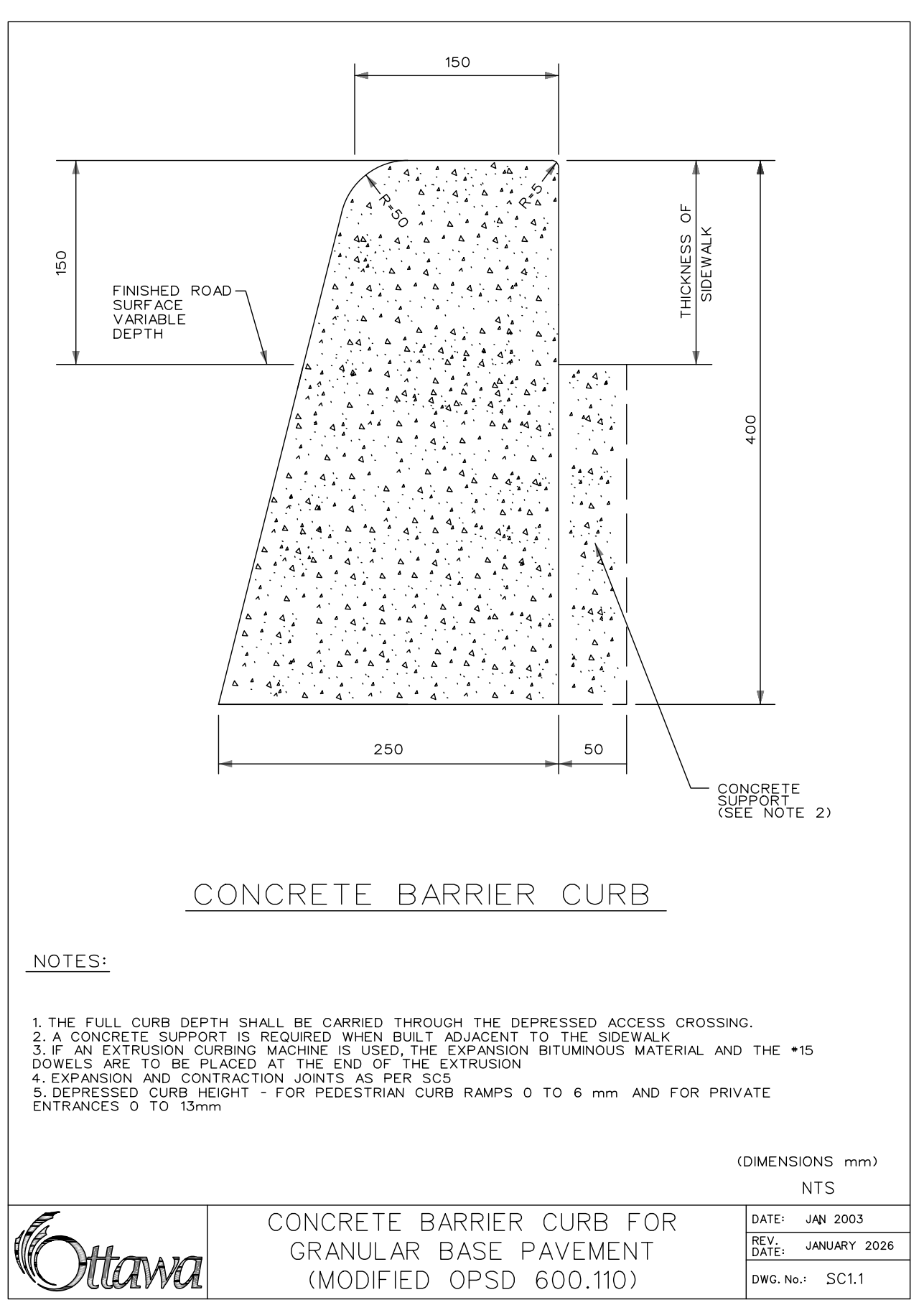
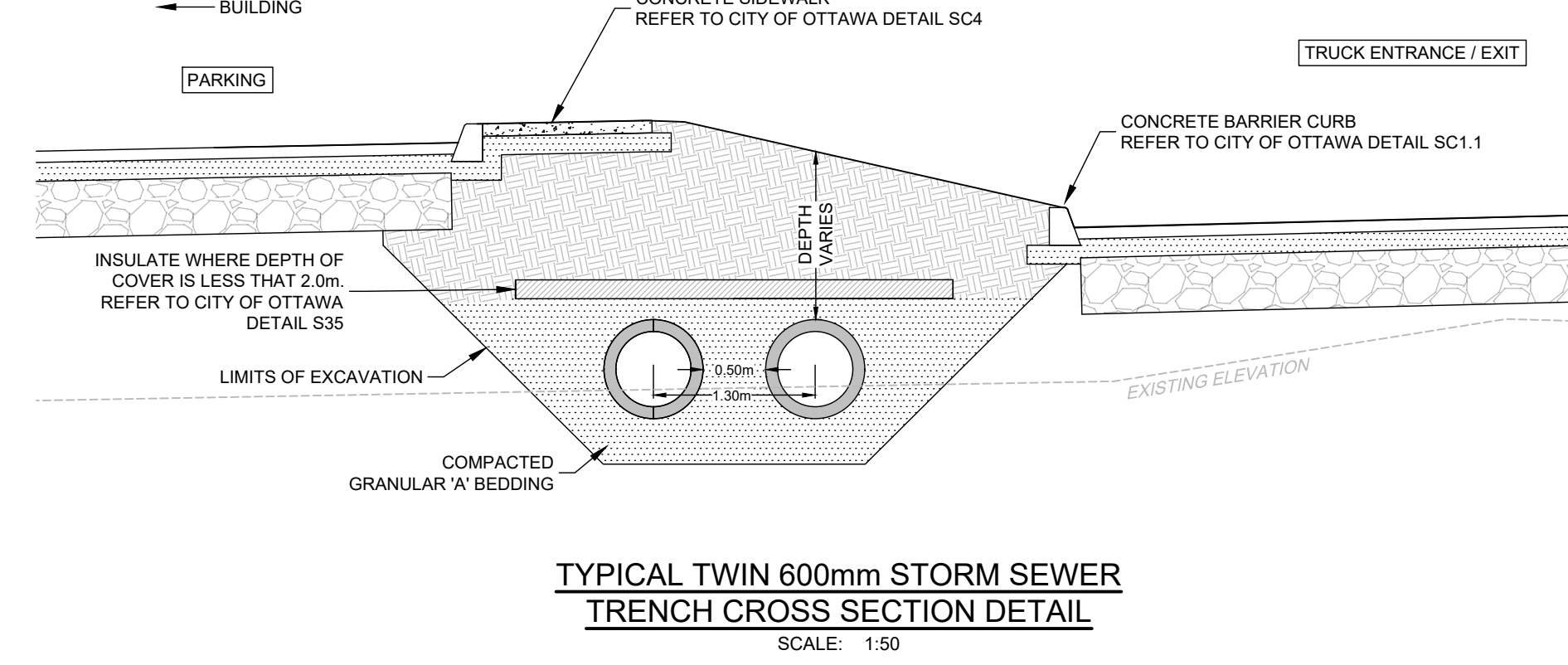
MATERIAL LOCATION	DESCRIPTION	ASHTO MATERIAL CLASSIFICATIONS	COMPACTION / DENSITY REQUIREMENT
D	FINAL FILL MATERIAL FOR LAYER 1 STARTS FROM THE TOP OF THE FOUNDATION STONE (LAYER 1) TO 150mm ABOVE THE TOP OF THE 1" LAYER.	ANY SOIL/ROCK MATERIALS, NATRI SOLE, OR PER ENGINEER'S PLANS. CHECK PLANS FOR PERMITTED SUBGRADE REQUIREMENTS.	N/A
C	INITIAL FILL MATERIAL FOR LAYER 1 STARTS FROM THE TOP OF THE FOUNDATION STONE (LAYER 1) TO 150mm ABOVE THE TOP OF THE 1" LAYER.	GRANULAR WELL-GRADED SOIL/AGGREGATE MIXTURES, <5% FINES OR MOST PAVEMENT SUBBASE MATERIALS CAN BE USED IN LIEU OF THIS LAYER.	BEFORE COMPACTING AFTER 1" (25mm) OF MATERIAL OVER THE CHAMBERS IS PLACED, COMPACT AN ADDITIONAL LAYER (IF 150mm MAX LIFTS TO A MIN. 95% PROCTOR DENSITY FOR WELLS GRADED MATERIAL AND 95% RELATIVE DENSITY FOR PROCESSED AGGREGATE MATERIALS. INCLUDE CRACKER VEHICLE WEIGHT NOT TO EXCEED 20,000 N (4,500 LB) FORCE NOT TO EXCEED 20,000 N (4,500 LB)
B	FOUNDATION STONE: FILL SUBDRAINS FROM THE FOUNDATION STONE (LAYER 1) TO THE 1" LAYER ABOVE.	CLEAN, CRUSHED, ANGULAR STONE OR RECYCLED CONCRETE*	NO COMPACT REQUIRED.
A	PERIMETER STONE: FILL BELOW CHAMBERS FROM THE SUBGRADE UP TO THE FOOT (600mm) OF THE CHAMBER.	CLEAN, CRUSHED, ANGULAR STONE OR RECYCLED CONCRETE*	PLATE COMPACT OR ROLL TO ACHIEVE A FLAT SURFACE.**

PLEASE NOTE:

- THE LISTED ASHTO DESIGNATIONS ARE FOR GRADATIONS ONLY. THE STONE MUST ALSO BE CLEAN, CRUSHED, ANGULAR. FOR EXAMPLE, A SPECIFICATION FOR #4 STONE WOULD STATE "CLEAN, CRUSHED, ANGULAR NO. 4 (ASHTO #4) STONE".
- STORMTECH COMPACTOR REQUIREMENTS ARE MET FOR A LOCATION MATERIALS WHEN PLACED AND COMPACTED IN 1" (25mm) MAX LIFTS USING TWO FULL COVERSAGES WITH A VIBRATORY COMPACTOR.
- WHERE PERMITTED SURFACES MAY BE COMPROMISED BY COMPACTOR, FOR STANDARD DESIGN LOAD CONDITIONS, A FLAT SURFACE MAY BE ACHIEVED BY HAND OR DRAGGING WITHOUT COMPACTOR EQUIPMENT. FOR SPECIAL LOAD DESIGN, CONTACT STORMTECH FOR COMPACTOR REQUIREMENTS.
- ONCE LAYER 1 IS PLACED, ANY SOLVENTAL CAN BE REPLACED IN LAYER 1 UP TO THE FINISHED GRADE. MOST PAVEMENT SUBBASE SOILS CAN BE USED TO REPLACE THE MATERIAL REQUIREMENTS OF LAYER 1C OR 1D AT THE SITE DESIGN ENGINEER'S DISCRETION.
- WHERE RECYCLED CONCRETE AGGREGATE IS USED IN LAYERS 1C OR 1D, THE MATERIAL SHOULD ALSO MEET THE ACCEPTABILITY CRITERIA OUTLINED IN TECHNICAL NOTE 8.20 "RECYCLED CONCRETE STRUCTURAL BACKFILL".

NOTES:

- CHAMBERS SHALL MEET THE REQUIREMENTS OF ASTM F2418, "STANDARD SPECIFICATION FOR POLYPROPYLENE (PP) CORRUGATED WALL STORMWATER COLLECTION CHAMBERS".
- DC-780 CHAMBERS SHALL BE DESIGNED IN ACCORDANCE WITH ASTM F2787 "STANDARD PRACTICE FOR STRUCTURAL DESIGN OF THERMOPLASTIC CORRUGATED WALL STORMWATER COLLECTION CHAMBERS".
- THE SITE DESIGN ENGINEER IS RESPONSIBLE FOR ASSESSING THE BEARING RESISTANCE AND ALLOWABLE BEARING CAPACITY OF THE SUBGRADE SOIL AND THE DEPTH OF FOUNDATION STONE WITH CONSIDERATION FOR THE RANGE OF EXPECTED SOIL MOISTURE CONDITIONS. REFERENCE STORMTECH DESIGN MANUAL FOR BEARING CAPACITY GUIDANCE.
- PERIMETER STONE MUST BE EXTENDED HORIZONTALLY 1' TO THE EXCAVATION WALL FOR BOTH VERTICAL AND SLOPED EXCAVATION WALLS.
- REQUIREMENTS FOR HANDLING AND INSTALLATION:
 - TO MAINTAIN THE WIDTH OF CHAMBERS DURING SHIPPING AND HANDLING, CHAMBERS SHALL HAVE INTEGRAL, INTERLOCKING STACKING LOGS.
 - TO ENSURE A SECURE JOINT DURING INSTALLATION AND BACKFILL, THE HEIGHT OF THE CHAMBER JOINT SHALL NOT BE LESS THAN 2".
 - TO ENSURE THE INTEGRITY OF THE ARCH SHAPE DURING INSTALLATION, THE ARCH STIFFNESS CONSTANT SHALL BE GREATER THAN OR EQUAL TO 100 LB/FT². THE ASG IS DEFINED IN SECTION 6.2.2 OF ASTM F2418, AND IS TO RESIST CHAMBER DEFORMATION DURING INSTALLATION AT ELEVATED TEMPERATURES (ABOVE 73°F / 23°C). CHAMBERS SHALL BE PRODUCED FROM REFLECTIVE GOLD OR YELLOW COLORS.



NOTE:
THE POSITION OF ALL POLE LINES, CONDUITS, WATERMANS, SEWERS AND OTHER UNDERGROUND AND OVERGROUND UTILITIES AND STRUCTURES IS NOT NECESSARILY SHOWN ON THE CONTRACT DRAWINGS, AND WHERE SHOWN, THE ACCURACY OF THE POSITION OF SUCH UTILITIES AND STRUCTURES IS NOT GUARANTEED. BEFORE STARTING WORK, DETERMINE THE EXACT LOCATION OF ALL SUCH UTILITIES AND STRUCTURES AND ASSUME ALL LIABILITY FOR DAMAGE TO THEM.

No.	REVISION	DATE	BY
3	REVISED PER SNCA COMMENTS	APR 24/2026	MJH
2	REVISED PER CITY COMMENTS	FEB 20/2026	MJH
1	REVISED PER CITY AND SNCA COMMENTS	NOV 14/2025	MJH

FOR REVIEW ONLY

SCALE: AS SHOWN

DESIGN: MJH
CHECKED: JLS
DRAWN: MJH
DATE: APR 24 2026

PROVINCE OF ONTARIO

NOVATECH
Engineers, Planners & Landscape Architects
Suite 200, 240 Michael Cowpland Drive
Ottawa, Ontario, Canada K2M 1P6

Telephone: (613) 254-9643
Facsimile: (613) 254-5867
Website: www.novatech-emp.com

LOCATION: CITY OF OTTAWA, 5510 BOUNDARY ROAD
DRAWING NAME: NOTES AND DETAILS

PROJECT No.: 118168
REV: REV # 3
DRAWING No.: 118168-ND

C:\Users\118168\OneDrive\118168-ND.DWG 4/24/2026 10:52 AM - 1512NCEL

D07-12-24-0117