

APPROX. EDGE OF EX. ASPHALT

APPROXIMATE LOCATION OF EX. 1500mm<sup>Ø</sup> CONC. STORM SEWER

EXISTING MEDIAN

APPROX. EDGE OF EX. ASPHALT

INSTALL FILTER CLOTH DURING CONSTRUCTION AS A TEMPORARY EROSION AND SEDIMENT CONTROL MEASURE PER CITY'S REQUIREMENTS

APPROXIMATE LOCATION OF EX. 225mm<sup>Ø</sup> CONC. SANITARY SEWER

CENTRELINE OF ROAD

BASELINE ROAD

PIN 04088-0009

SITE BENCHMARK  
FIRE HYDRANT  
TOP OF SPINDLE  
ELEV: 81.66

APPROXIMATE LOCATION OF EX. 200mm<sup>Ø</sup> D.I. WATERMAIN

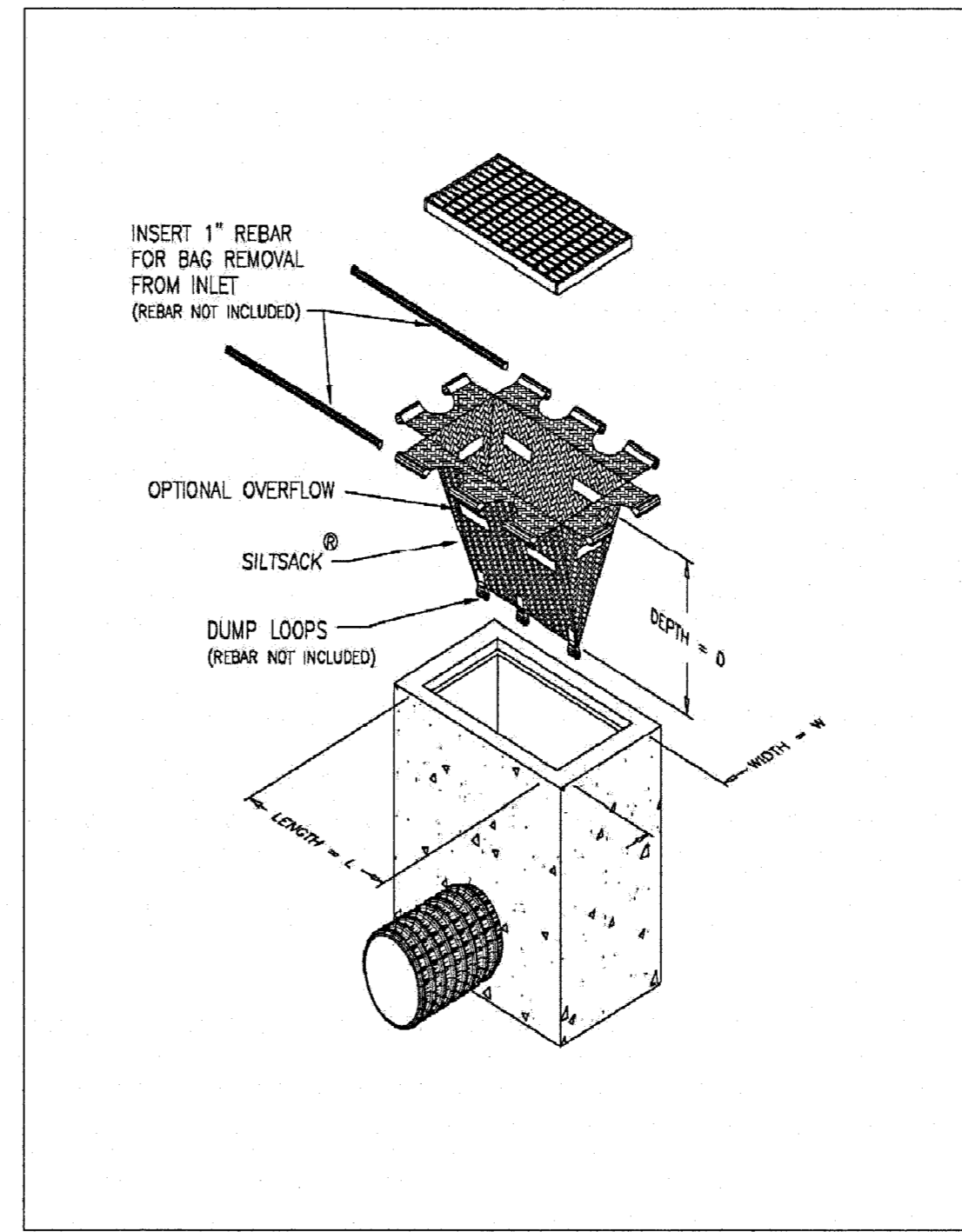
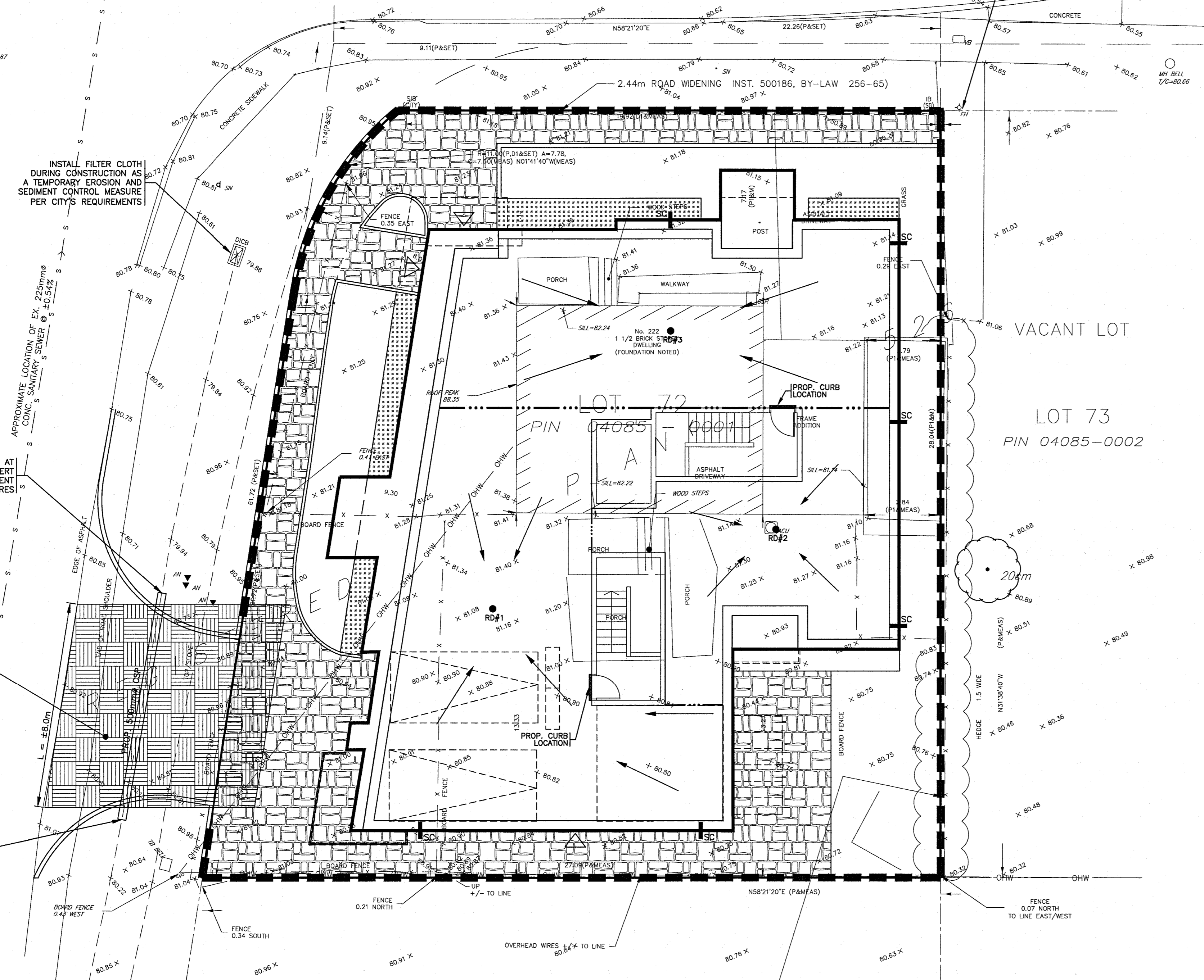
LEXINGTON STREET  
PIN 04085-0109

INSTALL FILTER CLOTH DURING CONSTRUCTION AS A TEMPORARY EROSION AND SEDIMENT CONTROL MEASURE PER CITY'S REQUIREMENTS

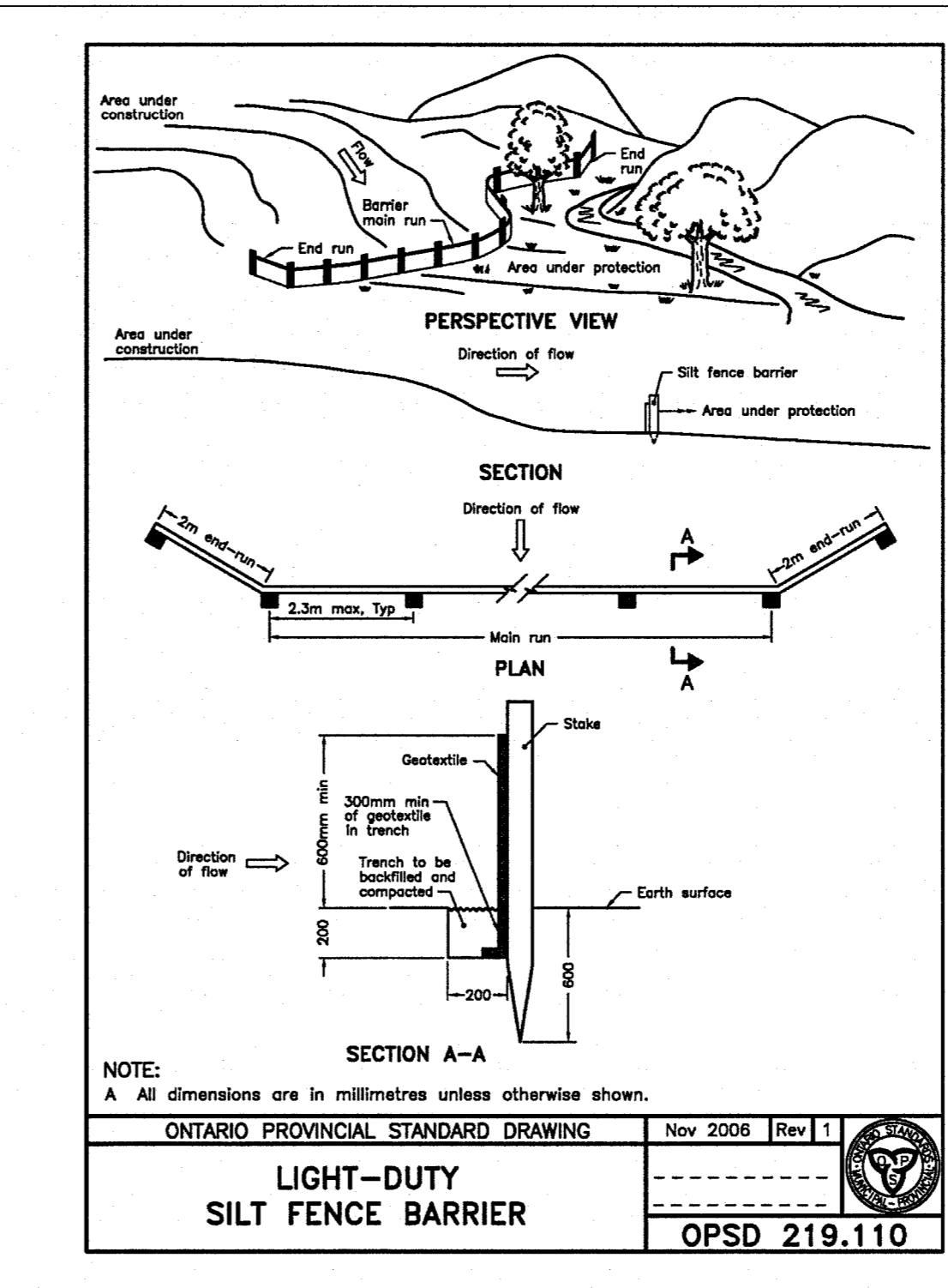
INSTALL FILTER CLOTH AT THE END OF CULVERT AS TEMPORARY SEDIMENT CONTROL MEASURES

PROP. MUD MAT (L=±8.0m) UNDERLAIN WITH APPROVED GEOTEXTILE, PLACE 50mm<sup>Ø</sup> CLEARSTONE FOR A THICKNESS OF 300mm (min.) AT LOCATION SHOWN

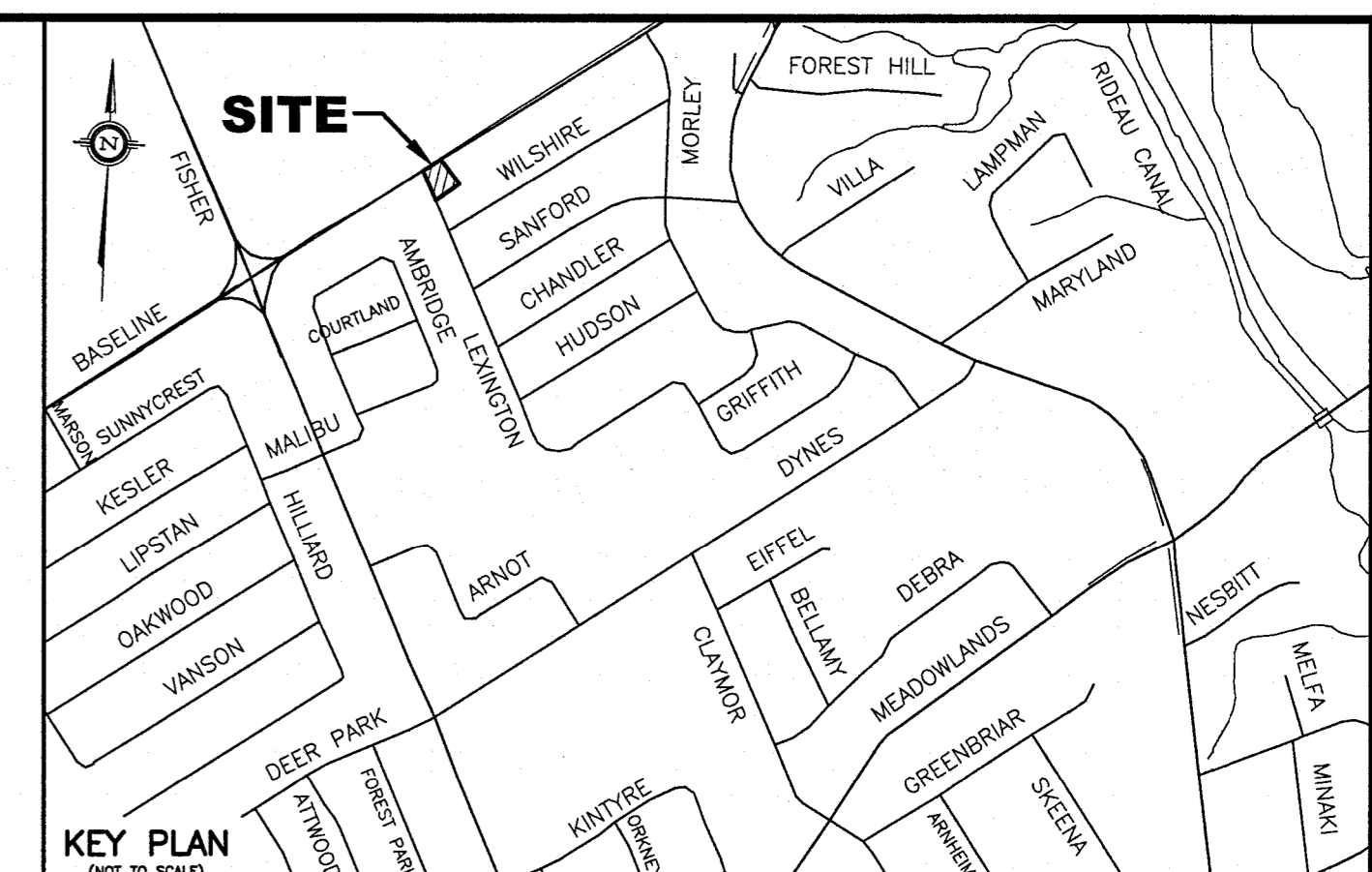
INSTALL FILTER CLOTH AT THE END OF CULVERT AS TEMPORARY SEDIMENT CONTROL MEASURES



TYPICAL CATCH BASIN CONTROL DEVICE  
N.T.S.



NOTE:  
A. All dimensions are in millimetres unless otherwise shown.  
ONTARIO PROVINCIAL STANDARD DRAWING  
LIGHT-DUTY SILT FENCE BARRIER  
Nov 2008 Rev 1  
OPSD 219.110



LEGEND

- SILT FENCE BARRIER LOCATION
- PROPOSED MUD MAT AREA

EROSION AND SEDIMENT CONTROL NOTES

BEST MANAGEMENT PRACTICES

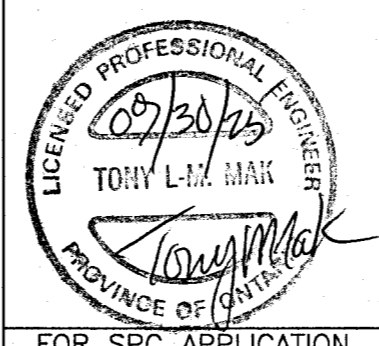
EROSION AND SEDIMENT CONTROLS (BEST MANAGEMENT PRACTICES) SHALL BE PROVIDED DURING CONSTRUCTION OF THIS PROJECT. EROSION MUST BE MINIMIZED AND SEDIMENTS MUST BE REMOVED FROM CONSTRUCTION SITE RUNOFF IN ORDER TO PROTECT DOWNSTREAM AREAS. DURING ALL CONSTRUCTION, EROSION AND SEDIMENTATION SHOULD BE CONTROLLED BY THE FOLLOWING TECHNIQUES:

- 1. MINIMIZE THE EXTENT OF EXPOSED SOILS.
- 2. MINIMIZE THE AREA TO BE CLEARED AND GRUBBED.
- 3. PROTECT EXPOSED SLOPES WITH PLASTIC OR SYNTHETIC MULCHES.
- 4. INSTALL "SILTSACK" CATCH BASIN SEDIMENT CONTROL DEVICE OR EQUAL IN CATCH BASINS ALONG BASELINE ROAD AND LEXINGTON STREET ON-SITE AND OFF-SITE WITHIN THE ROAD RIGHT OF WAY ADJACENT TO THIS PROPERTY AS RECOMMENDED BY THE MANUFACTURER. SILTSACK SHALL BE INSPECTED EVERY 2 TO 3 WEEKS AND AFTER EVERY MAJOR STORM.
- 5. INSTALL SILT FENCES AROUND THE PERIMETER OF STOCKPILES OF TOPSOIL TO BE USED OR REMOVED FROM SITE. (LOCATION TO BE DETERMINED).
- 6. SEDIMENT CONTROL DEVICES SHALL BE INSPECTED EVERY 2 TO 3 WEEKS AND AFTER MAJOR STORMS AND CLEANED OF ANY ACCUMULATED SILT AS REQUIRED. THE DEPOSITS WILL BE DISPOSED OF AS PER THE REQUIREMENTS OF THE CONTRACT.
- 7. IN SOME CASES SOME FILTER BARRIERS MAY BE REMOVED TEMPORARILY TO ACCOMMODATE CONSTRUCTION OPERATIONS. THE AFFECTED BARRIERS WILL BE REINSTATED AT NIGHT WHEN CONSTRUCTION IS COMPLETED. REMOVAL SHALL NOT OCCUR IF RUNOFF OR RAINFALL IS PREDICTED UNLESS A NEW DEVICE HAS BEEN INSTALLED TO PROTECT THE EXISTING STORM AND SANITARY SEWER SYSTEMS.
- 8. NO REFUELING OR CLEANING OF EQUIPMENT IS PERMITTED NEAR ANY EXISTING WATERWAYS.
- 9. DURING THE CONSTRUCTION PERIOD, THE CONTRACTOR SHALL INSPECT, MAINTAIN AND REMOVE THE CONTROL MEASURES.
- 10. THIS PROPOSED EROSION AND SEDIMENT CONTROL PLAN IS CONSIDERED BY (RVCA) A LIVING DOCUMENT WHICH MAY BE MODIFIED IN THE EVENT THE CONTROL MEASURES ARE INSUFFICIENT.
- 11. CONTRACTOR IS RESPONSIBLE TO KEEP THE ROADS FREE AND CLEAN FROM MUD AND DEBRIS DURING THE CONSTRUCTION PERIOD.

Geraldine Wildman  
GERALDINE WILDMAN  
MANAGER, DEVELOPMENT REVIEW SOUTH  
PLANNING, DEVELOPMENT AND BUILDING SERVICES  
DEPARTMENT, CITY OF OTTAWA

APPROVED  
By wildmange at 12:53 pm, Apr 21, 2026

Table with 4 columns: No., REVISION, DATE, BY. Includes revision history for September 2025.



Scale and Design/Check/Drawn/Approved table.

PROJECT: 222 BASELINE ROAD PART OF LOT 72 REGISTERED PLAN 526 CITY OF OTTAWA  
DRAWING TITLE: PROPOSED EROSION AND SEDIMENT CONTROL PLAN

Project information table including Project No. (824-74), Date (SEPTEMBER 2024), Drawing No. (ESC-1).