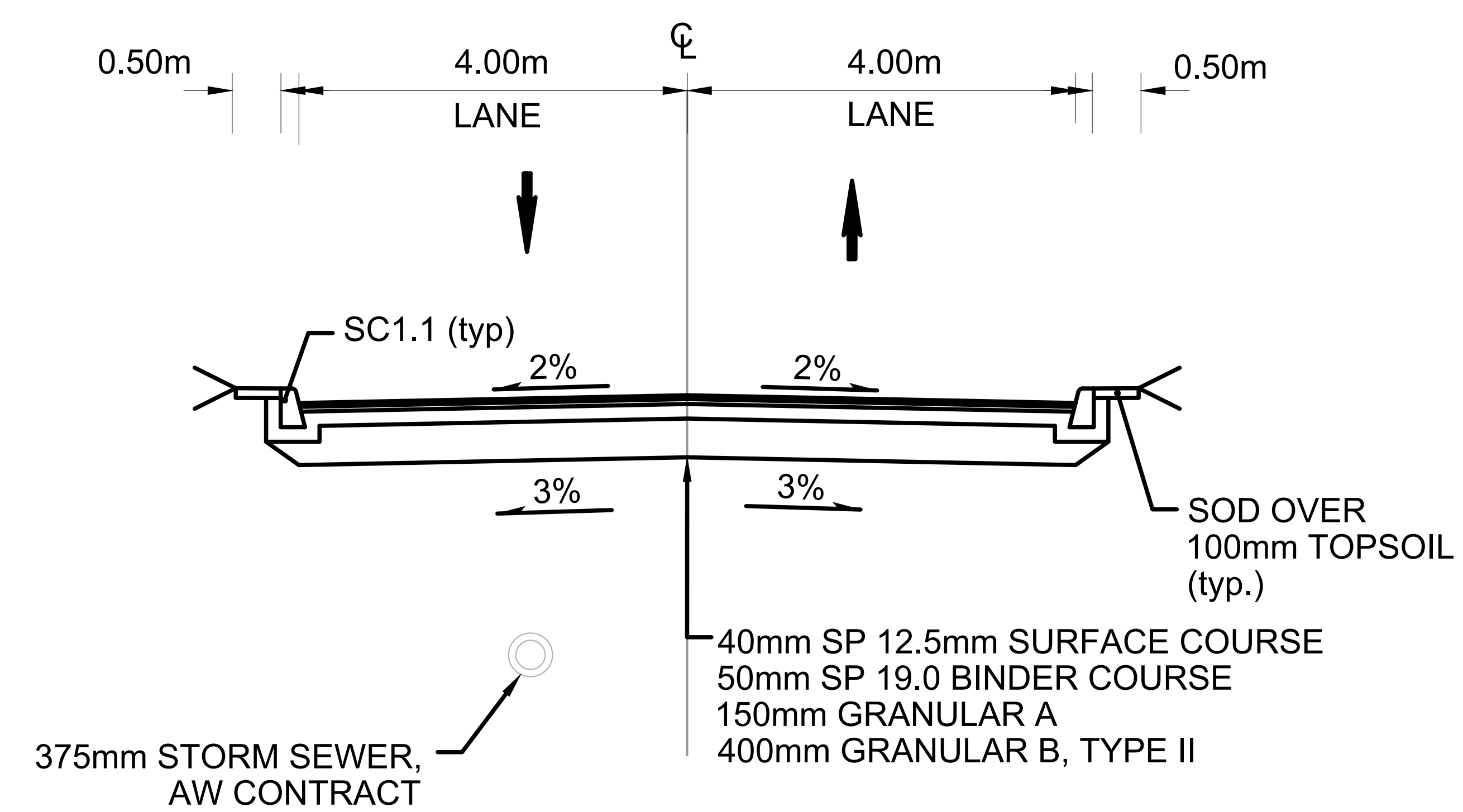
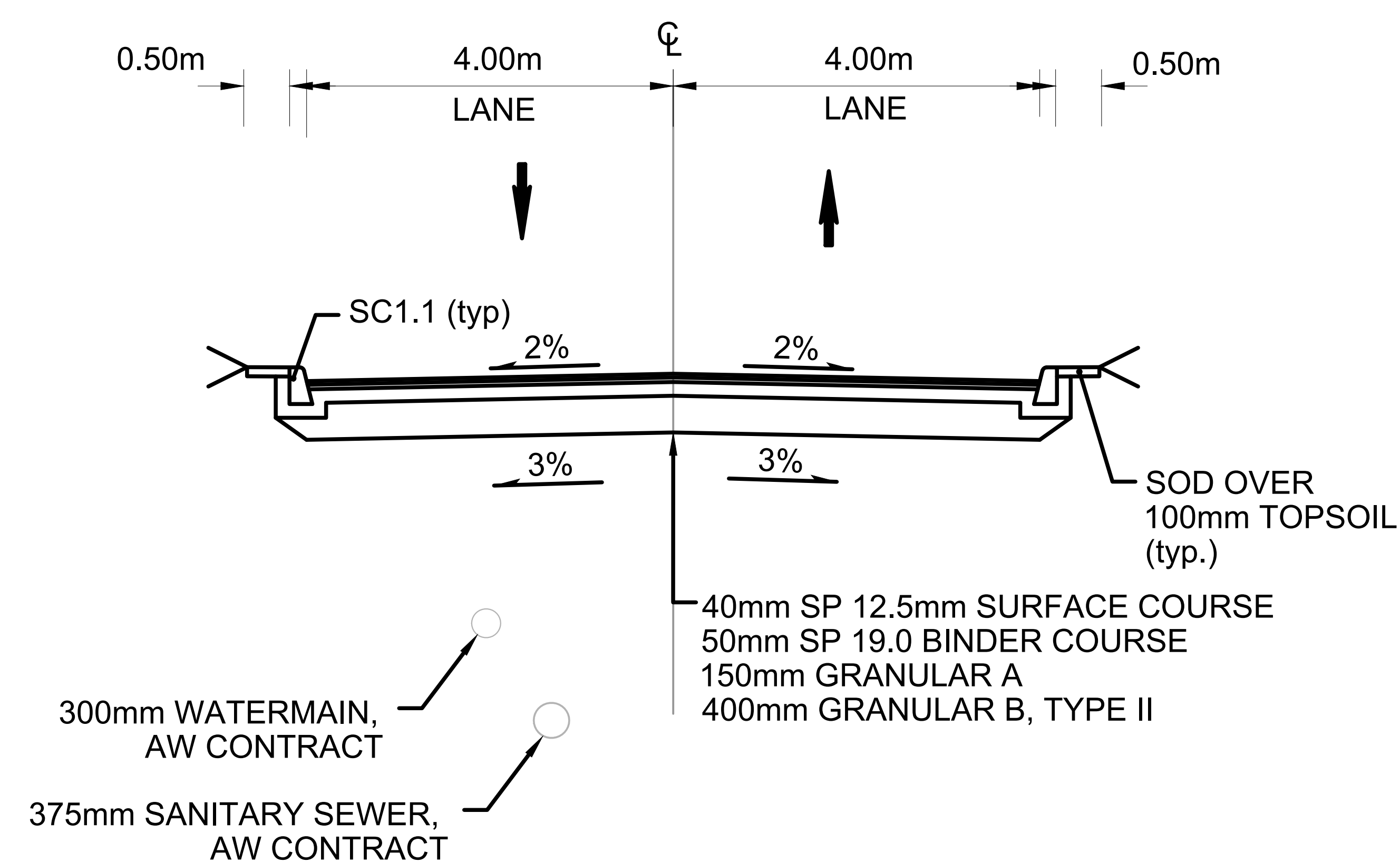


ROAD D SECTION



ROAD E SECTION



ROAD L SECTION

File Number:
D07-12-26-0008 (Revision)
D07-12-23-0168 (Original)
Plan Number: 19424

PROJECT
THE OTTAWA HOSPITAL
NEW CAMPUS
DEVELOPMENT -
PHASE 4 MAIN HOSPITAL
BUILDING
900 CARLING AVE, OTTAWA, ONTARIO

CLIENT
The Ottawa Hospital | L'Hôpital d'Ottawa

CONSTRUCTION
PCL | EllisDon

CLIENT PROJECT NO.
1070002

KEY PLAN
TRUE NORTH | PROJECT NORTH

NO.	DESCRIPTION	DATE
09	SITE PLAN CONTROL, RESUBMISSION R2	2026-03-27
08	DESIGN BUILD BASELINE SUBMISSION	2026-03-05
07	FOUNDATION PERMIT SUBMISSION	2026-01-19
06	SITE PLAN CONTROL, RESUBMISSION	2026-01-12
05	95% DD SUBMISSION	2025-09-09
04	SITE PLAN CONTROL, RESUBMISSION	2025-08-05
03	85% DD SUBMISSION	2025-06-05
02	35% DD SUBMISSION	2025-01-29
01	ISSUED FOR ACQUISITION READINESS	2025-01-09
00	ISSUED	DATE

DRAWING STATUS
NOT FOR CONSTRUCTION

DISCREPANCIES MUST BE REPORTED IMMEDIATELY TO THE ARCHITECT BEFORE PROCEEDING. ONLY FIGURED DIMENSIONS ARE TO BE USED. CONTRACTORS MUST CHECK ALL DIMENSIONS ON SITE. THIS DRAWING IS PROTECTED BY COPYRIGHT.

ALL DIMENSIONS ARE SHOWN IN METRIC.

AUTHOR
wsp

PROJECT TEAM
DESIGN/BUILDER: FOLEY, A JOINT VENTURE
ARCHITECTURAL: PARKIN ARCHITECTS LIMITED, JODON LAMARIE PRATTE ARCHITECTES, ADAMSON ASSOCIATES ARCHITECTS, 888 ARCHITECTS OTTAWA INC.
STRUCTURAL: SALAS OBEREN CANADA INC., BOUTHILLETTE PARISBAU INC.
MECHANICAL: HJ ANGLIS & ASSOCIATES LTD., SALAS OBEREN CANADA INC.
ELECTRICAL: KELVEY & BARNAN INTERNATIONAL INC.
CIVIL: WSP CANADA INC.
LANDSCAPE: VERTICUS DESIGN INC., PWP LANDSCAPE ARCHITECTURE
BUILDING CODE: UMOG BUILDING CODE CONSULTANTS LTD.
AUTHOR PROJECT NO.: CA0027758.0-51

STAMP
M. S. HUNDELMARK
REGISTERED PROFESSIONAL ENGINEER
PROVINCE OF ONTARIO

DRAWING TITLE
TYPICAL SECTIONS
2 OF 2

DRAWN M. HUNDELMARK	CHECKED C. GRAHAM
SCALE AT 47' = 1"	DATE 2024-02-26
GRAPHIC SCALE N.T.S.	
DRAWING NO. T7-702	REV. NO. 09