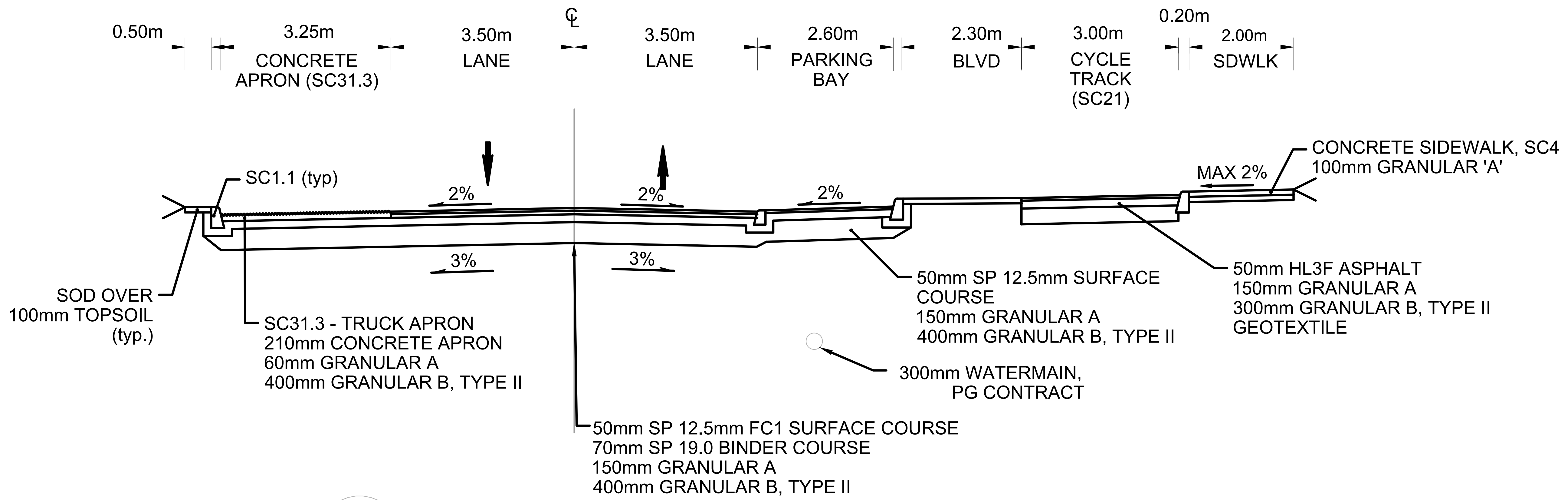
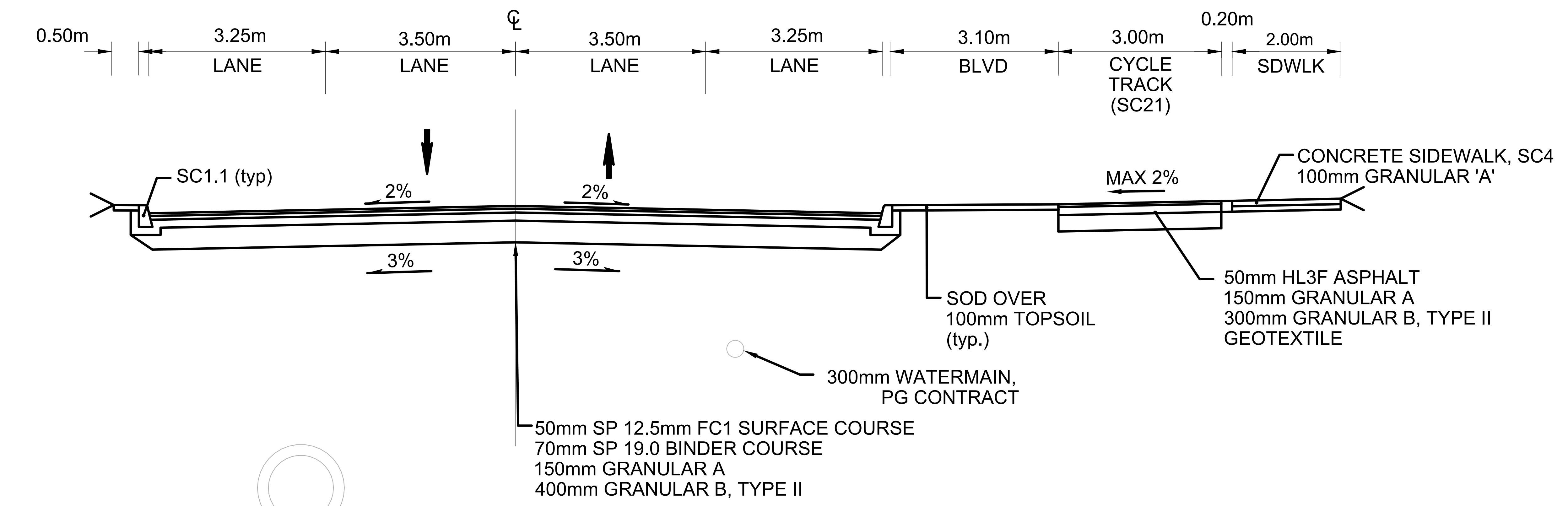


ROAD A SECTION



ROAD B SECTION W/ PARKING BAY



ROAD B SECTION W/ AUXILIARY LANES

PROJECT
**THE OTTAWA HOSPITAL
 NEW CAMPUS
 DEVELOPMENT -
 PHASE 4 MAIN HOSPITAL
 BUILDING**
 900 CARLING AVE, OTTAWA, ONTARIO

CLIENT
 The Ottawa Hospital | L'Hôpital d'Ottawa

CONSTRUCTION
 PCL | EllisDon

CLIENT PROJECT NO.
 1070002

KEY PLAN
 TRUE NORTH | PROJECT NORTH

NO.	REVISIONS	DATE
01	ISSUED FOR ACQUISITION	2025-01-28
02	30% DO SUBMISSION	2025-01-28
03	45% DO SUBMISSION	2025-06-25
04	SITE PLAN CONTROL, RESUBMISSION	2025-06-25
05	50% DO SUBMISSION	2025-06-25
06	SITE PLAN CONTROL, RESUBMISSION	2026-01-12
07	FOUNDATION PERMIT SUBMISSION	2026-01-12
08	DESIGN BUILD BASELINE SUBMISSION	2026-03-27
09	SITE PLAN CONTROL, RESUBMISSION R2	2026-03-27

NOT FOR CONSTRUCTION
 DISCREPANCIES MUST BE REPORTED IMMEDIATELY TO THE ARCHITECT BEFORE PROCEEDING. ONLY FIGURED DIMENSIONS ARE TO BE USED. CONTRACTORS MUST CHECK ALL DIMENSIONS ON SITE. THIS DRAWING IS PROTECTED BY COPYRIGHT.
 ALL DIMENSIONS ARE SHOWN IN METRIC.

AUTHOR

PROJECT TEAM
DESIGN BUILDER POLED, A JOINT VENTURE
ARCHITECTURAL PARRIN ARCHITECTS LIMITED, ZOOH LAMARIE PRATTE ARCHITECTES, ADAMSON ASSOCIATES ARCHITECTS, BBS ARCHITECTS OTTAWA INC.
STRUCTURAL SALAS OBREN CANADA INC., BOUTHELLETT PANGDAU INC.
MECHANICAL HH ANGLUS & ASSOCIATES LTD., SALAS OBREN CANADA INC.
ELECTRICAL HEEVEY & BROWN INTERNATIONAL INC.
CIVIL HEP CANADA INC.
LANDSCAPE VERTICOS DESIGN INC., PWP LANDSCAPE ARCHITECTURE
BUILDING CODE LMGG BUILDING CODE CONSULTANTS LTD.
AUTHOR PROJECT NO. CA0027758.0-51

STAMP

DRAWING TITLE
TYPICAL SECTIONS
 1 OF 2

DRAWN M. HUNDERMARK	CHECKED C. GRAHAM
SCALE AT 4" = 6"	DATE 2024-02-26
GRAPHIC SCALE N.T.S.	REV. NO. 09
DRAWING NO. T7-701	FILE NO. 09

File Number:
 D07-12-26-0008 (Revision)
 D07-12-23-0168 (Original)
 Plan Number: 19424